

Attn.: _____

HIROSE ELECTRIC CO., LTD.
5-23, OSAKI 5-CHOME, SHINAGAWA-KU, TOKYO, JAPAN

Product Change Notification

We are writing today to inform you that we will make some changes as shown in the subject for the reason described below.

We will announce them in advance and request that you kindly offer your consent to this matter.

1	Products affected	IT3 series IT5 series Please refer to Attachment 1 for details.
2	Replacement product	No change in product code and product name.
3	Classification of change	Packaging specification change
4	Changes	Indicator card will be attached to tray packaging. Please refer to Attachment 2 for details. These changes will not affect the appearances and performances of the products.
5	Reason for change	Affected products are MSL (Moisture Sensitivity Level) 2A indicator card which indicates humidity need to be enclosed in the packaging.
6	Timing of change	We're going to change from January 7, 2019.
7	Date of your acknowledgement	By September 30, 2018

We kindly request that you inform Hirose business representative of your acknowledgement by the aforesaid date.

In the absence of a response by this date, please be advised that replacement product that described above will be delivered.

If you should have any questions, please feel free to contact a Hirose business representative. Your understanding and cooperation are highly appreciated.

■ Product List Business 430-18007_IT3&IT5 series Packaging Specification Change

No.	Current product		Replacement product	
	Product code	Product name	Product code	Product name
1	636-0003-8-37	IT3D-200S-BGA(37)		
2	636-0003-8-39	IT3D-200S-BGA(39)		
3	636-0003-8-57	IT3D-200S-BGA(57)		
4	636-0003-8-59	IT3D-200S-BGA(59)		
5	636-0004-0-37	IT3M-200S-BGA(37)		
6	636-0004-0-57	IT3M-200S-BGA(57)		
7	636-0007-9-37	IT3D-300S-BGA(37)		
8	636-0007-9-39	IT3D-300S-BGA(39)		
9	636-0007-9-57	IT3D-300S-BGA(57)		
10	636-0007-9-59	IT3D-300S-BGA(59)		
11	636-0008-1-37	IT3M-300S-BGA(37)		
12	636-0008-1-57	IT3M-300S-BGA(57)		
13	636-0013-1-37	IT3D-100S-BGA(37)		
14	636-0013-1-39	IT3D-100S-BGA(39)		
15	636-0013-1-57	IT3D-100S-BGA(57)		
16	636-0013-1-59	IT3D-100S-BGA(59)		
17	636-0014-4-37	IT3M-100S-BGA(37)		
18	636-0014-4-57	IT3M-100S-BGA(57)		
19	636-0504-3-37	IT3M-100P-15BGA(37)		
20	636-0504-3-57	IT3M-100P-15BGA(57)		
21	636-0505-6-37	IT3M-200P-15BGA(37)		
22	636-0505-6-57	IT3M-200P-15BGA(57)		
23	636-0506-9-37	IT3M-300P-15BGA(37)		
24	636-0506-9-57	IT3M-300P-15BGA(57)		
25	636-0508-4-37	IT3M-200P-14BGA(37)		
26	636-0511-9-37	IT3M-100P-14BGA(37)		
27	636-1501-0-39	IT5D-200S-BGA(39)		
28	636-1502-3-37	IT5M-200S-BGA(37)		
29	636-1503-6-39	IT5D-300S-BGA(39)		
30	636-1504-9-37	IT5M-300S-BGA(37)		
31	636-1513-0-39	IT5D-100S-BGA(39)		
32	636-1514-2-37	IT5M-100S-BGA(37)		
33	636-1521-8-39	IT5HD-100S-BGA(39)		
34	636-1522-0-37	IT5HM-100S-BGA(37)		
35	636-1523-3-39	IT5HD-200S-BGA(39)		
36	636-1524-6-37	IT5HM-200S-BGA(37)		
37	636-1525-9-39	IT5HD-300S-BGA(39)		
38	636-1526-1-37	IT5HM-300S-BGA(37)		

No change in product code and product name.

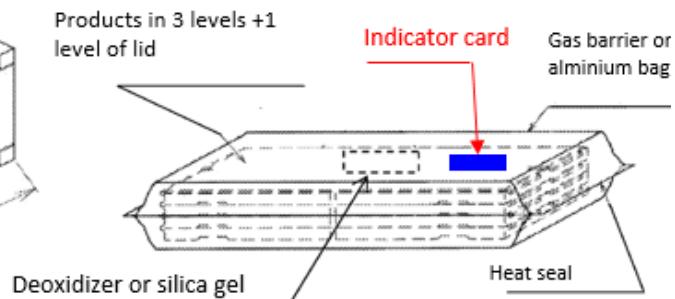
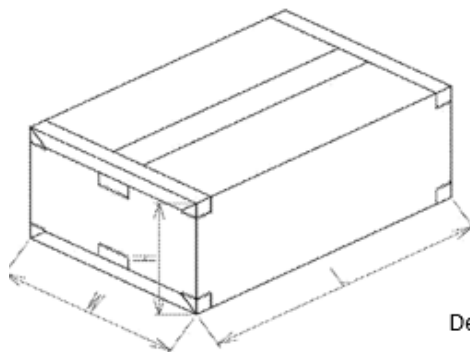
[Attachment2] Changes

•Packaging Specification Change

Indicator card will be attached based on packaging specification of MSL 2A



Indicator card



Packaging Specification

Acknowledgement

(Customer → Hirose Electric business representative)

Product Change Notification
Request for Your Acknowledgement

We acknowledge the aforementioned matter.

Customer's name: _____

Acknowledgement stamp (or signature): _____

HIROSE ELECTRIC CO., LTD.

(Cut on this line)

Document Receipt

(Customer → Hirose Electric business representative)

Product Change Notification
Request for Your Acknowledgement

We received the document concerning the above.

Customer's name: _____

Acknowledgment stamp (or signature): _____

HIROSE ELECTRIC CO., LTD.