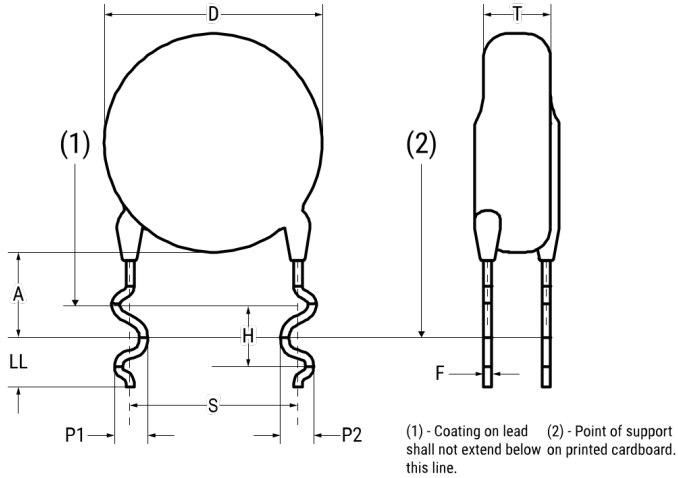


ERP610W471MQG0

Aliases (C831QG471M760X, ERP610VH3470MQG0)

Obsolete

ERP610 SFTY X1-760 Y1-500, Ceramic, 470 pF, 20%, 760 VAC (X1), 500 VAC (Y1), Y5U, Lead Spacing = 12.5mm



Click [here](#) for the 3D model.

Dimensions

D	8mm MAX
H	2.6mm +/-0.3mm
T	5mm MAX
S	12.5mm NOM
LL	2.8mm MIN
F	0.6mm +/-0.05mm
A	6mm +/-1.5mm
V	2.1mm +/-0.5mm

Packaging Specifications

Packaging Bulk, Bag

General Information

Series	ERP610 SFTY X1-760 Y1-500
Style	Radial Disc
Description	Ceramic Single Layer Safety Disc Capacitors
RoHS	Yes
Termination	Tin
Qualifications	UL, CSA, CAN, ENEC, VDE
AEC-Q200	No

Specifications

Capacitance	470 pF
Capacitance Tolerance	20%
Voltage AC	760 VAC (X1), 500 VAC (Y1)
Temperature Range	-40/+125°C
Temperature Coefficient	Y5U
Dissipation Factor	2.5%
Insulation Resistance	10 GOhms
Safety Class	X1/Y1