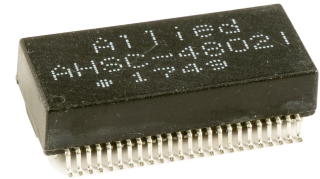




10/100 Quad Port PoE Plus LAN Filter Module

AHSC-4802I

- PoE Plus application with 700mA Current Capability
- Compliant to IEEE802.3at / ANSI X3.263
- DCR: 1.1Ω Max
- Polarity: 1-48, 5-44, 7-41, 11-38, 13-36, 17-32, 19-30, 23-26 In-Phase
- Operating Temp: -40°C to +85°C



Electrical Specifications @ 25°C

OCL(μH Min) @ 100kHz, 0.1V With 8mA DC Bias	Turns Ratio chip: cable (±5%)	Return Loss (dB Min)			
		0.3-30MHz	40MHz	50MHz	60-80MHz
350	1CT:1(TX)/1CT:1CT(RX)	-16	-14.4	-13.1	-12

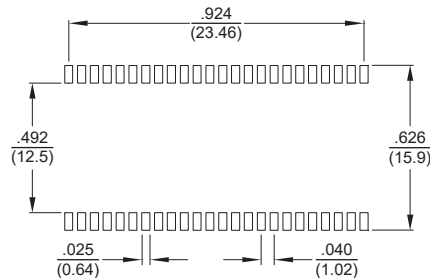
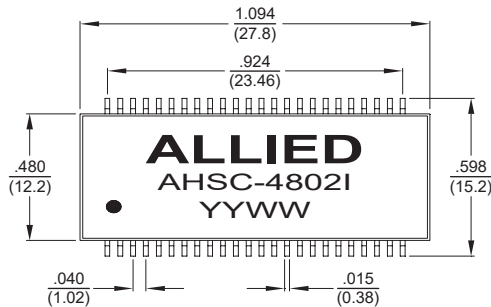
Electrical Specifications @ 25°C

Leakage Inductance (μH Max) @ 100KHz, 0.2V	Capacitance (pF Typ) @ 100KHz, 0.2V	Insertion Loss (dB Max) 0.3-100MHz	CMR (dB Min) 1-100MHz	Cross Talk (dB Min) 1-100MHz	Isolation (Vrms)
0.5	25	-1.1	-30	-30	1500

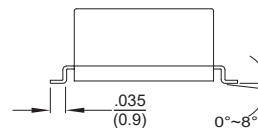
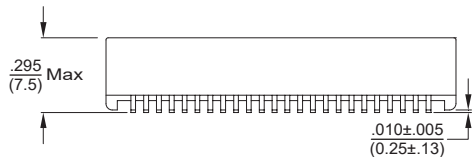
All specifications subject to change without notice.

MECHANICAL

Dimensions: inch
(mm)



Recommended PCB Layout



Unless otherwise specified, all tolerances are ±0.10(0.25)

SCHEMATICS

