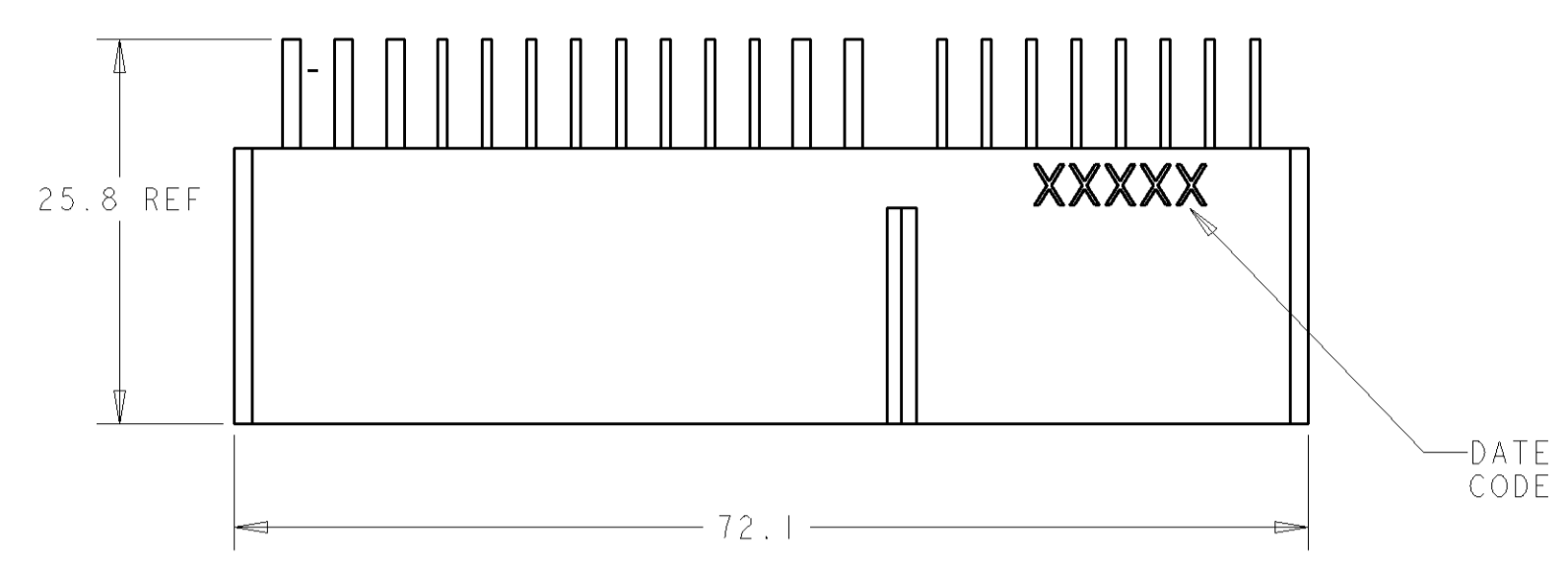
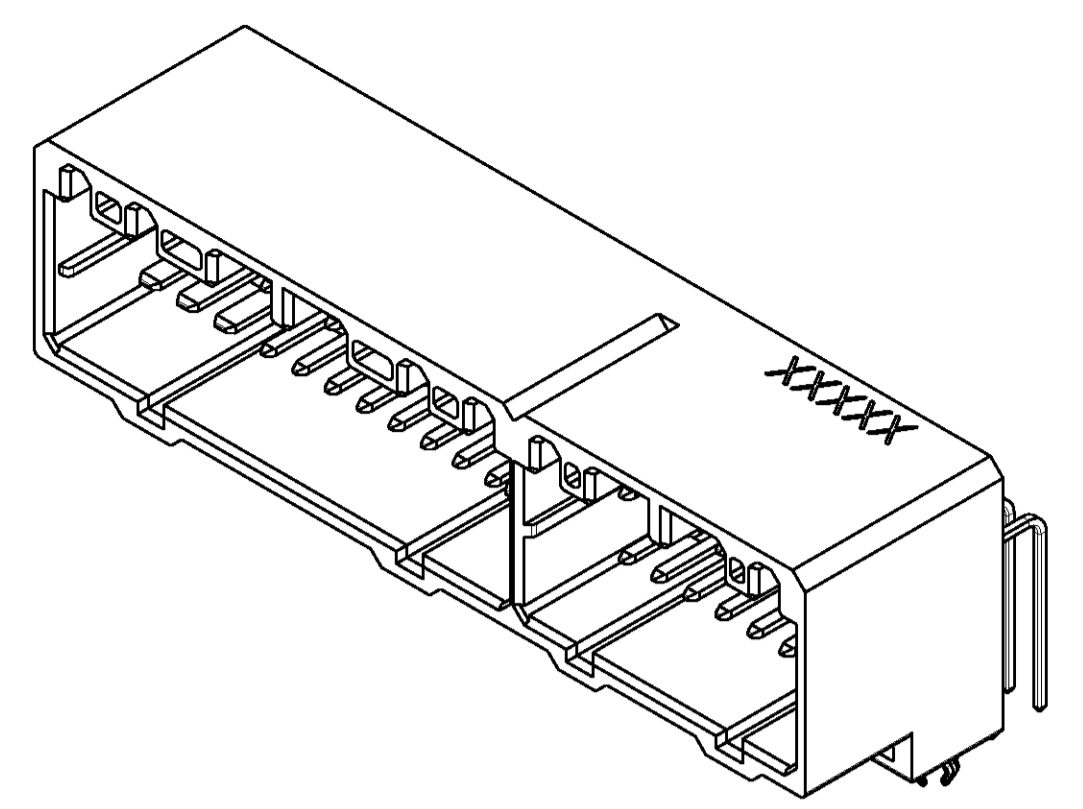
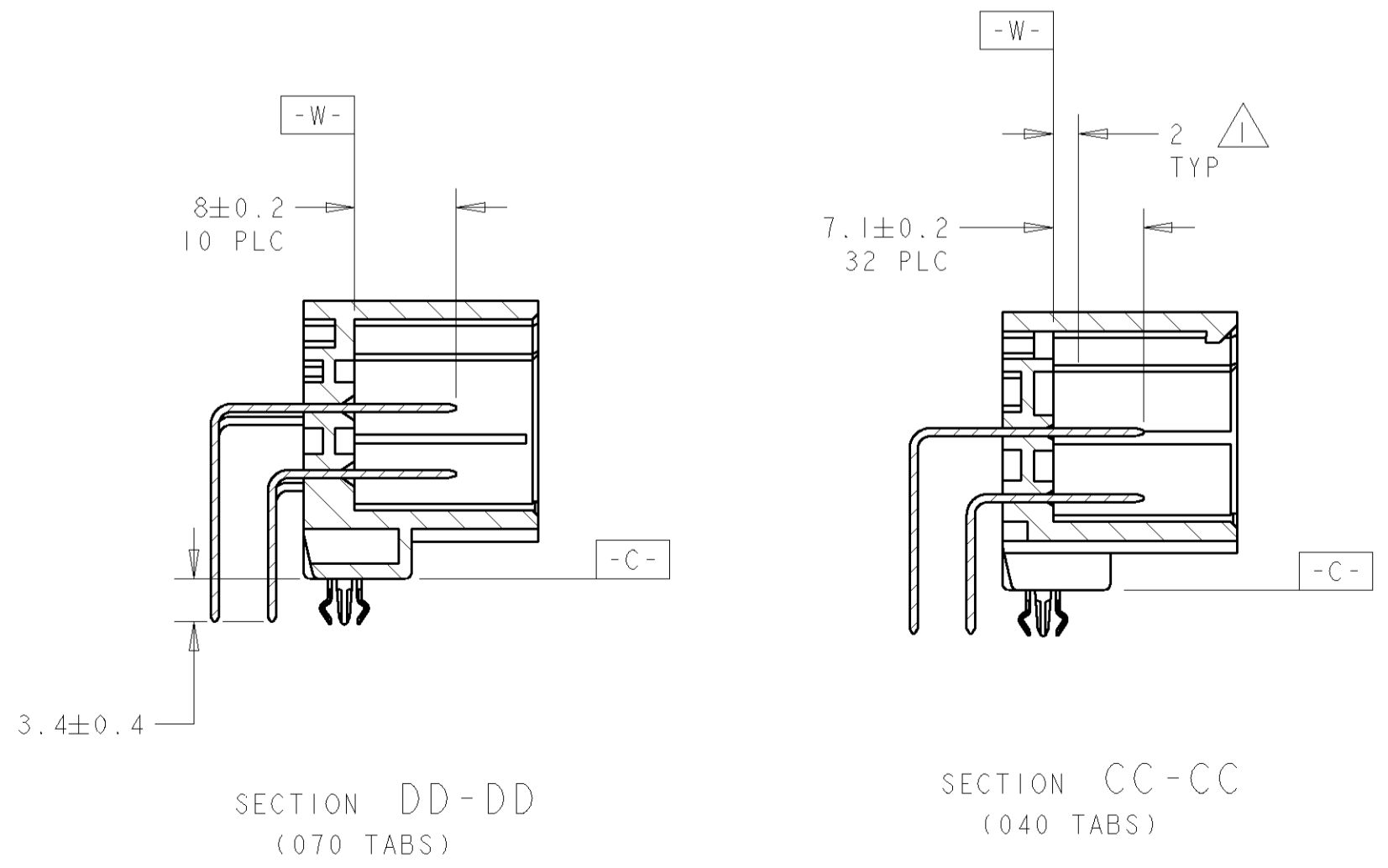
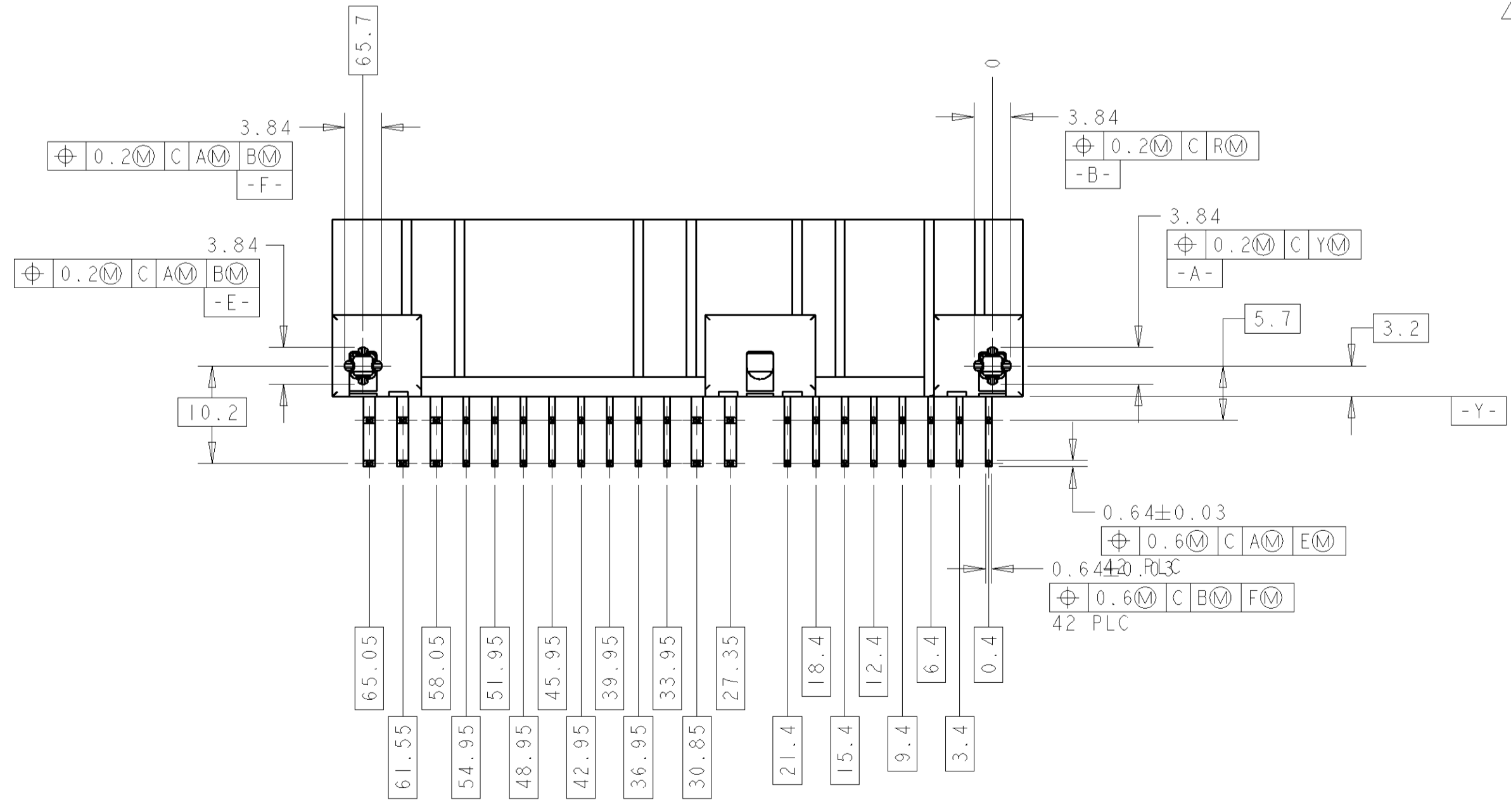
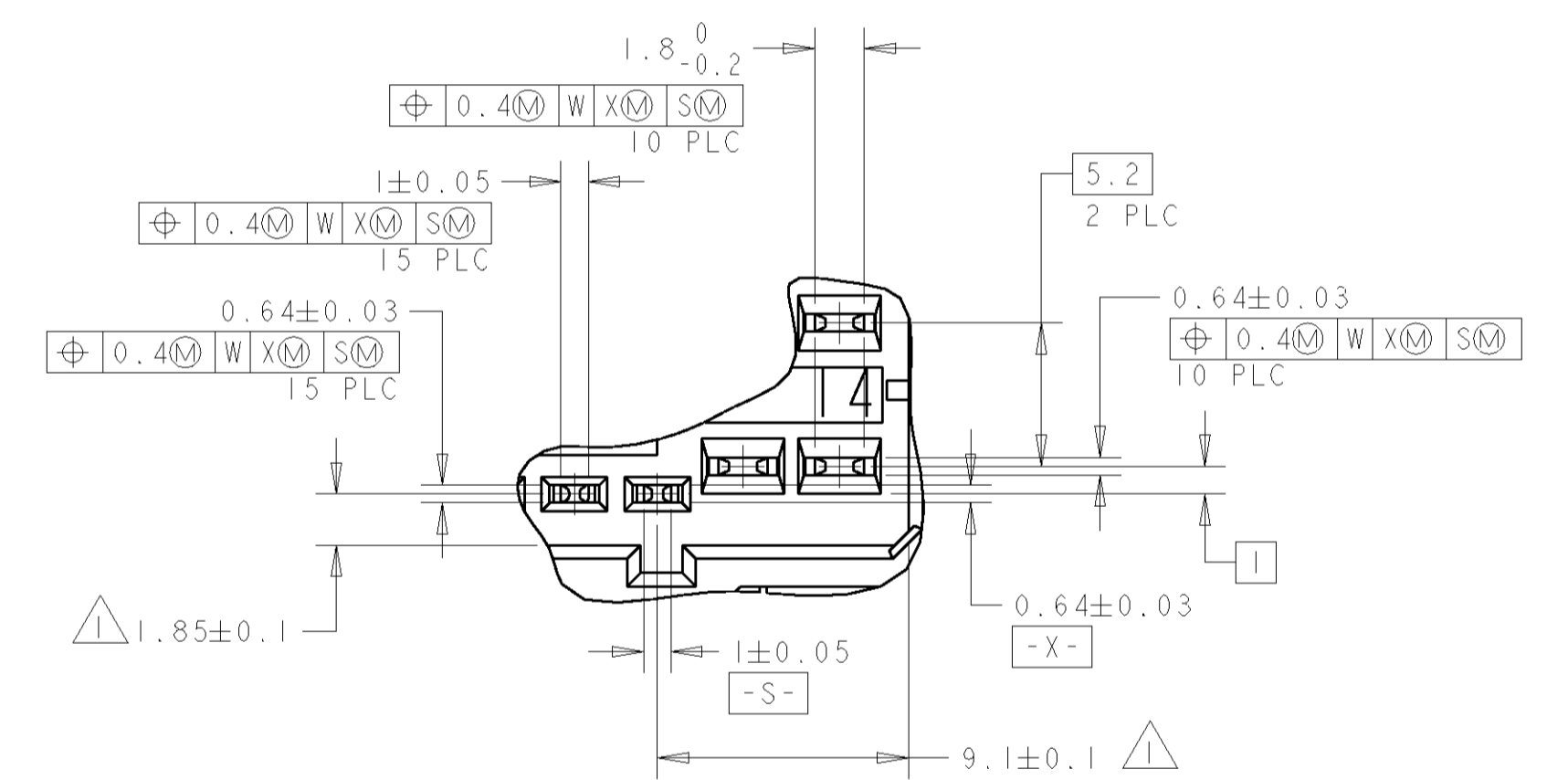
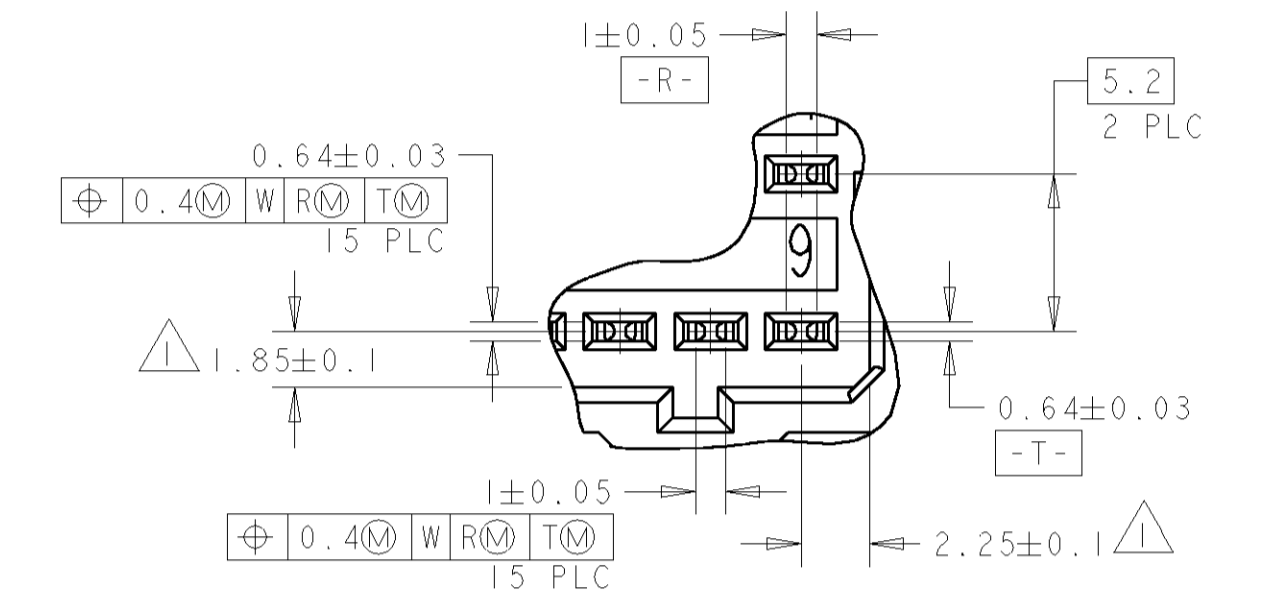
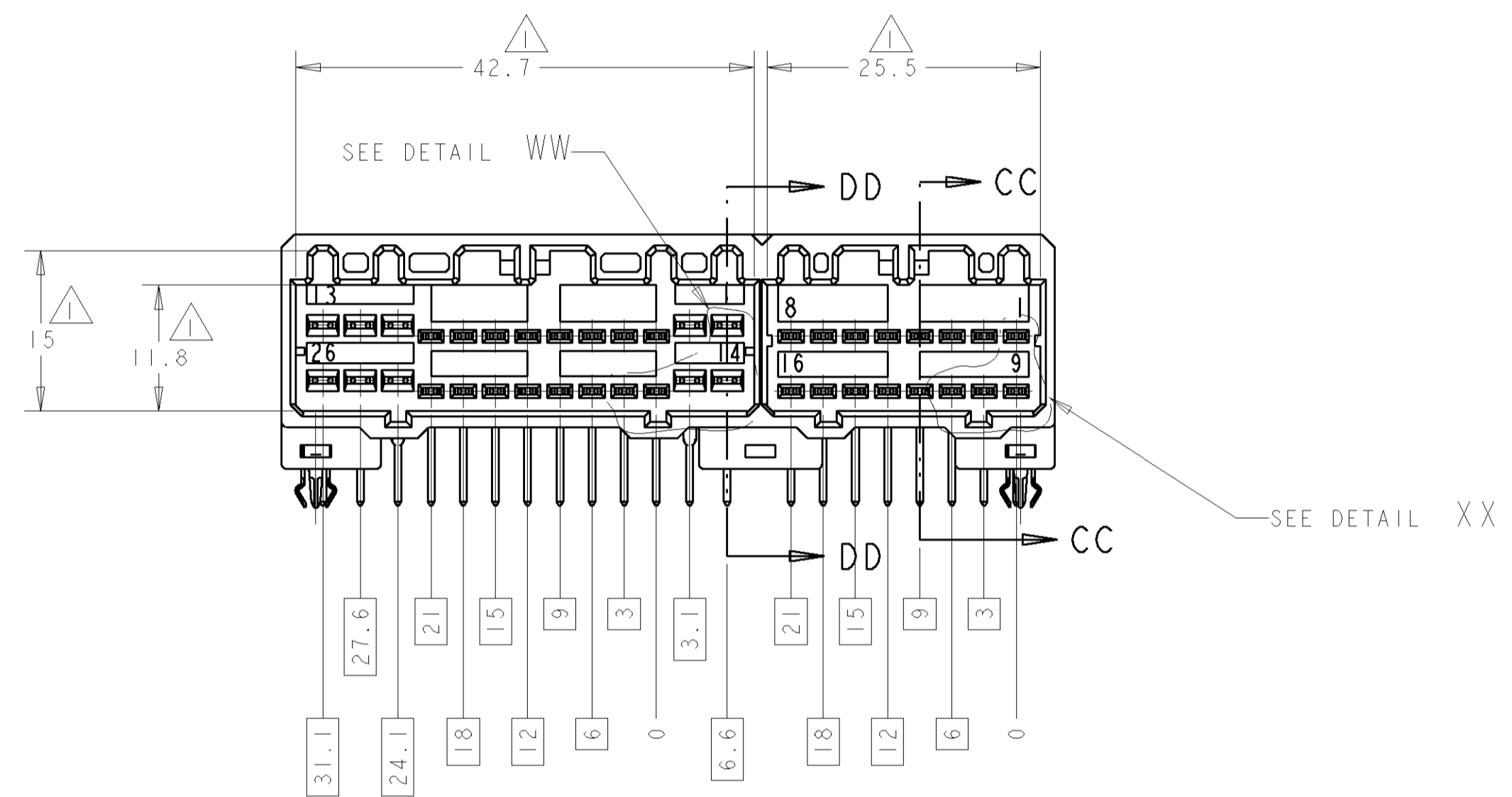
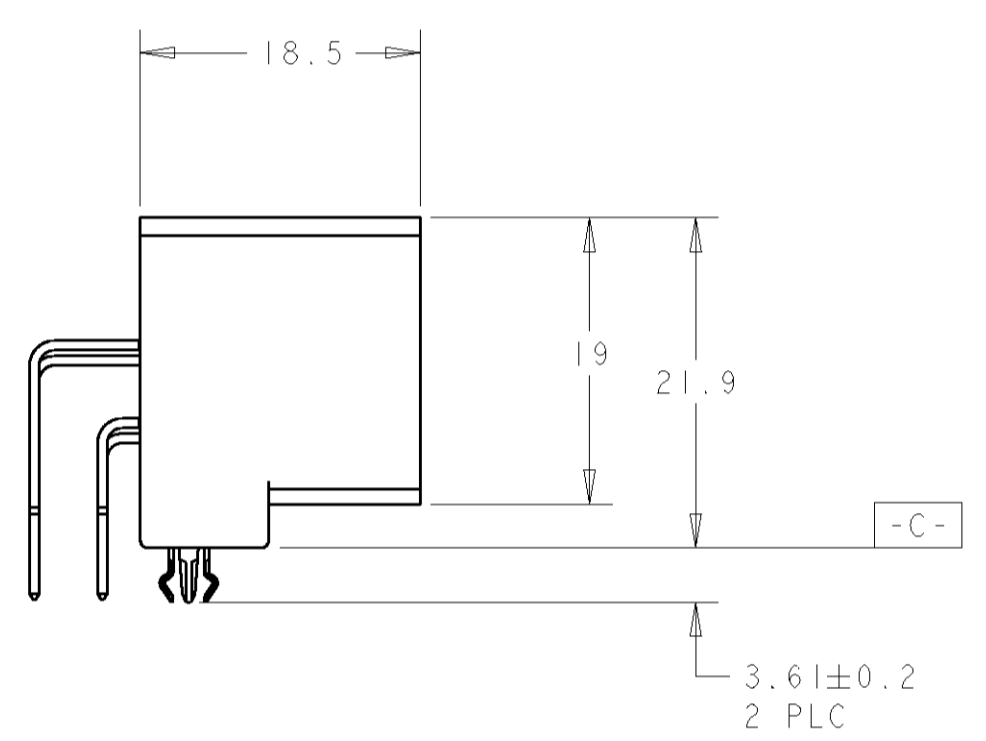


LOC	DIST	REVISIONS			
P	LTR	DESCRIPTION	DATE	DWN	APPR
0		RELEASED PER NPR 99043	14SEP99	JRB	RAS
A		REVISED PER ECN 0K80-0121-00	20MAY2000	JRB	RAS
B		REVISED PER EC 0K80-0171-04	12MAY2004	DLD	EMC



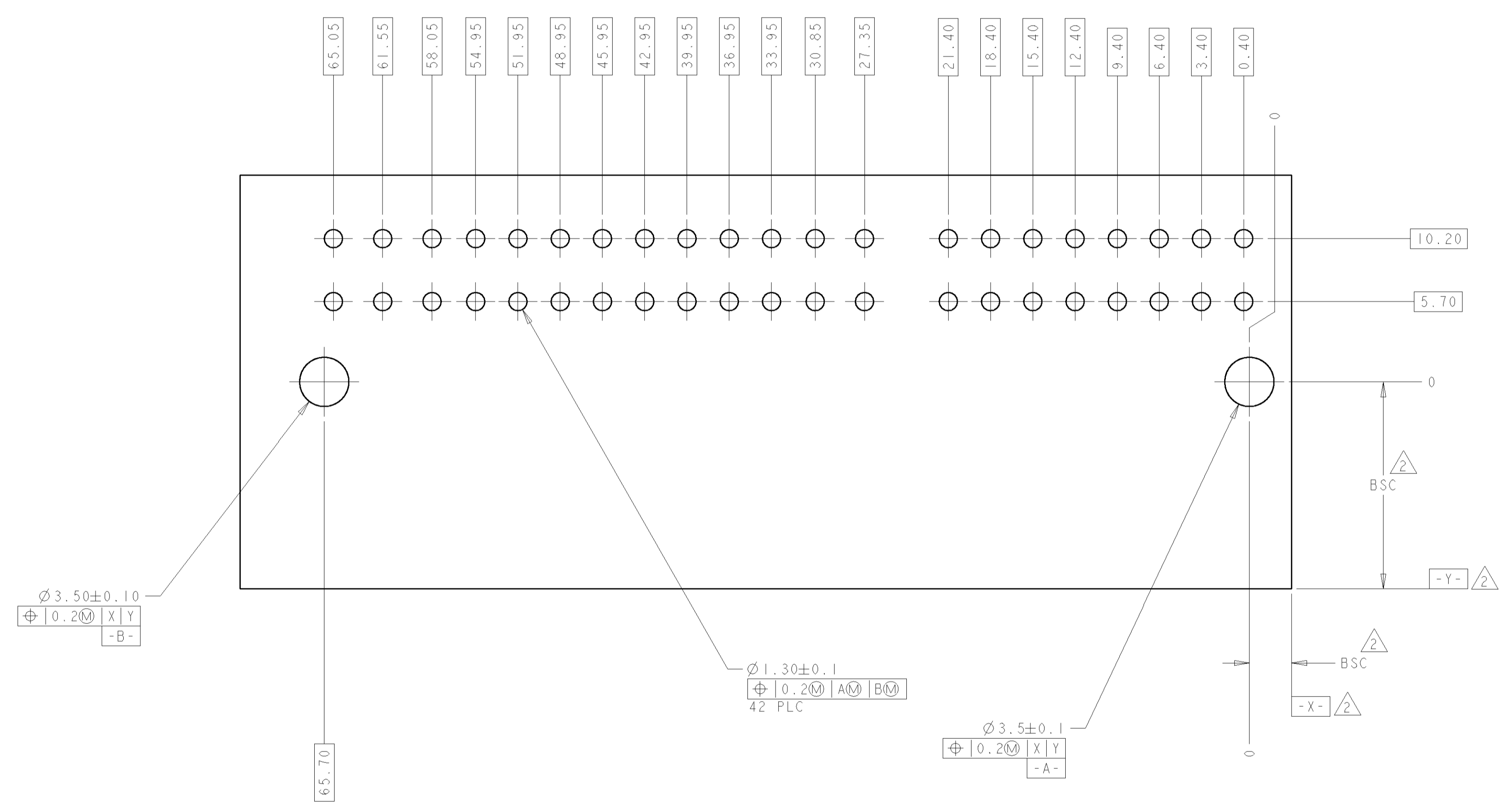
△ DIMENSION MUST BE HELD BETWEEN -W- AND 2mm FROM -W- .  
 △ DATUMS AND BASIC DIMENSIONS ESTABLISHED BY CUSTOMER.  
 3. THE MATING PLUG PART NUMBER IS 917992 & 917981.



POST TIN CONTACT AND BOARDLOCK FINISH	BRASS CONTACT AND BOARDLOCK MATERIAL	GRAY COLOR	HTN HOUSING MATERIAL	638184-6 PART NUMBER
SEE TABLE	SEE TABLE	SEE TABLE	SEE TABLE	SEE TABLE

DIMENSIONS: mm	TOLERANCES UNLESS OTHERWISE SPECIFIED: 0 PLC ±0.3 1 PLC ±0.15 3 PLC ±0.15 4 PLC ±0.15 ANGLES ±1°	DWN R. CORE CHK R. SMITH APPR R. SMITH	TYCO ELECTRONICS HARRISBURG, PA 17105-3608
MATERIAL: SEE TABLE	FINISH: SEE TABLE	PRODUCT SPEC: 108-5342 APPLICATION SPEC: -	NAME: 040/070 CAP ASSEMBLY, 42 POSITION HORIZONTAL WITH BOARDLOCKS
WEIGHT: 18.26 g	SCALE: 2:1	SIZE: A1	RESTRICTED TO: B

LOC	DIST	REVISIONS			
P	LTR	DESCRIPTION	DATE	DWN	APVD
-	-	SEE SHEET 1	-	-	-



P.C. BOARD LAYOUT  
 (SOLDER SIDE)  
 SCALE 4:1

<small>THIS DRAWING IS UNPUBLISHED. RELEASED FOR PUBLICATION. ALL RIGHTS RESERVED. © 2000 BY TYCO ELECTRONICS CORPORATION.</small>		DWN CORE I1MAR99	Tyco Electronics Harrisburg, PA 17105-3608
DIMENSIONS: mm		CHK R. SMITH I1MAR99	<b>AMP</b>
TOLERANCES UNLESS OTHERWISE SPECIFIED: 0 PLC ± 1 PLC ±0.3 2 PLC ±0.15 3 PLC ± 4 PLC ± ANGLES ±1° FINISH		APVD R. SMITH I1MAR99	
MATERIAL: - FINISH: -		PRODUCT SPEC: - APPLICATION SPEC: - WEIGHT: - CUSTOMER DRAWING	NAME: 040/070 CAP ASSEMBLY, 42 POSITION HORIZONTAL WITH BOARDLOCKS SIZE: A   CAGE CODE: 00779   DRAWING NO: C=638184 RESTRICTED TO: - SCALE: 2:1   SHEET: 2 OF 2   REV: B