



FEATURES

Multiple Case Sizes - High Voltage – High Current

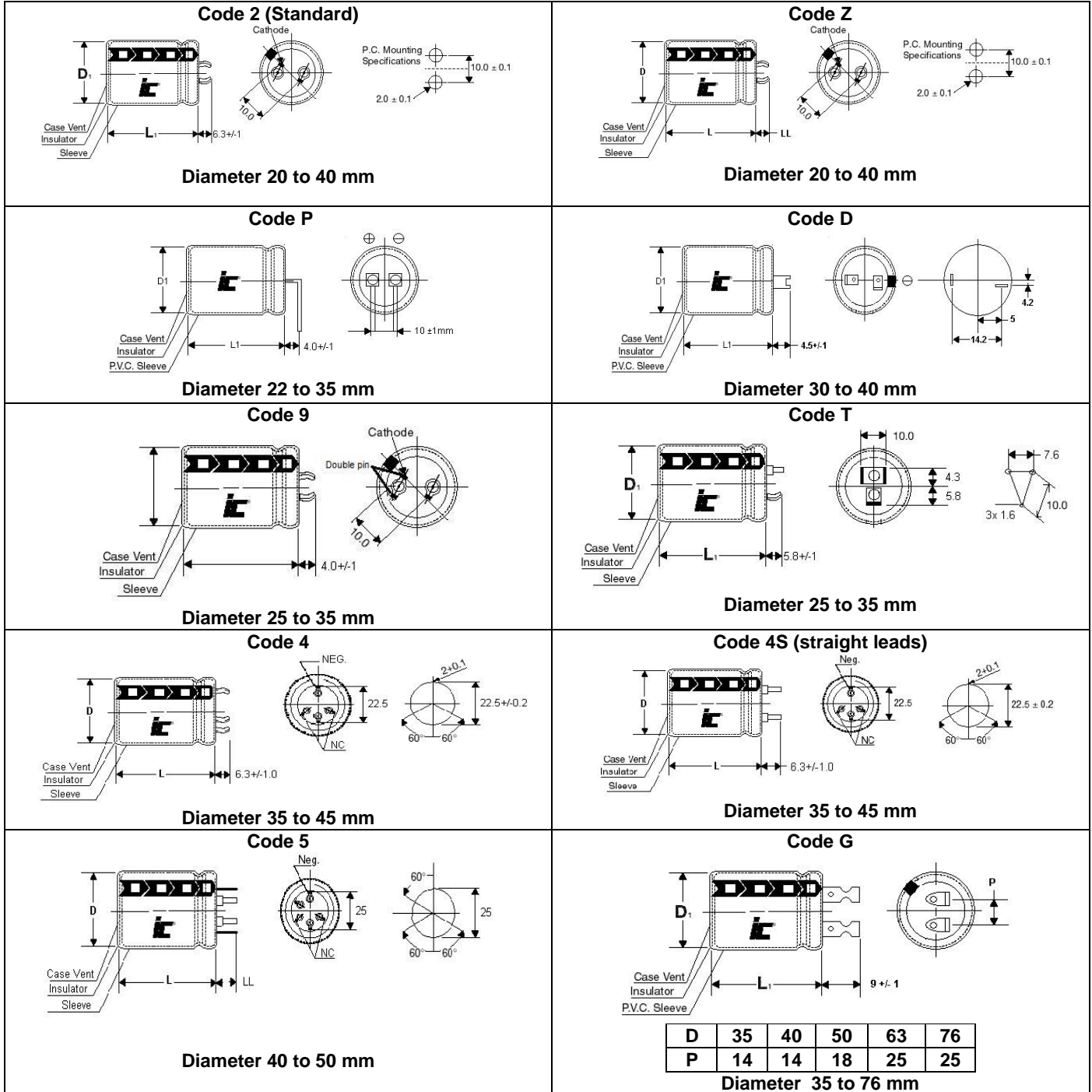
APPLICATIONS

Filtering – Switching Power Supplies

Operating Temperature Range		-40°C to +85°C (10VDC to 250VDC) -25°C to +85°C (350VDC to 500VDC)																
Capacitance Tolerance		+20% at 120 Hz, 20°C																
Surge Voltage	WVDC	10	16	25	35	50	63	80	100	160	200	250	350	400	450	500		
	SVDC	13	20	32	44	63	79	100	120	200	250	300	400	450	500	550		
Dissipation Factor (120 Hz)	WVDC	10	16	25	35	50	63	80	100	160	200	250	350	400	450	500		
	tan δ	.55	.5	.45	.4	.35	.3	.25	.2	.15	.15	.15	.15	.15	.2	.2		
		For capacitance values above 33000µF the following to the Dissipation factors values above $\frac{(\text{capacitance}-33000 \mu\text{F}) \cdot 0.1}{10000 \mu\text{F}}$ add																
Leakage Current @20°C, Rated WVDC applied		Time	5 Minutes															
		$3\sqrt{CV}$																
Impedance Ratio (120 Hz)	WVDC	10	16	25	35	50	63	80	100	160	200	250	350	400	450	500		
	-25°C/+20°C	4	4	4	4	4	4	4	4	3	3	3	3	8	8	8		
	-40°C/+20°C	15	15	15	15	15	15	15	15	15	15	15	-	-	-	-		
Load Life		2000 hours with rated voltage applied at 85°C with full rated ripple current applied																
		Capacitance Change	≤20% of initial measured value															
		Dissipation Factor	≤200% of maximum specified value															
		Leakage Current	≤100% of maximum specified value															
Shelf Life		1000 hours at 85°C with no voltage applied																
		Capacitance Change	≤20% of initial measured value															
		Dissipation Factor	≤200% of maximum specified value															
		Leakage Current	≤100% of maximum specified value															
Ripple Current Multipliers		Frequency (Hz)																
		WVDC	60	120	1k	10k												
		10 to 100	0.9	1.0	1.15	1.25												
		160 to 250	0.8	1.0	1.15	1.47												
		350 to 500	0.8	1.0	1.15	1.47												



Lead style options



LBA

+85°C Standard, 2000 hrs

WVDC	Capacitance (µF)	IC PART NUMBER	Maximum ESR (mΩ) 120 Hz, +20°C	Maximum RMS Ripple Current (A) 120 Hz, +85°C	Dims DxDL (mm)
10	12000	129LBA010M2AD	75.99	2.44	20x30
10	12000	129LBA010M2BC	75.99	2.41	22x25
10	15000	159LBA010M2AE	60.79	2.9	20x35
10	15000	159LBA010M2BD	60.79	2.88	22x30
10	18000	189LBA010M2AF	50.66	3.31	20x40
10	18000	189LBA010M2BE	50.66	3.22	22x35
10	18000	189LBA010M2CD	50.66	3.08	25x30
10	22000	229LBA010M2BF	41.45	3.79	22x40
10	22000	229LBA010M2CD	41.45	3.66	25x30
10	27000	279LBA010M2CE	33.77	4.04	25x35
10	27000	279LBA010M2DD	33.77	3.99	30x30
10	33000	339LBA010M2BH	27.63	4.58	22x50
10	33000	339LBA010M2CF	27.63	4.56	25x40
10	33000	339LBA010M2DD	27.63	4.58	30x30
10	39000	399LBA010M2CG	25.93	5.29	25x45
10	39000	399LBA010M2DE	25.93	5.21	30x35
10	39000	399LBA010M2ED	25.93	5.5	35x30
10	47000	479LBA010M2CH	24.34	5.78	25x50
10	47000	479LBA010M2DF	24.34	5.78	30x40
10	47000	479LBA010M2EE	24.34	5.55	35x35
10	56000	569LBA010M2DG	23.09	6.59	30x45
10	56000	569LBA010M2EE	23.09	6.4	35x35
10	68000	689LBA010M2DH	21.94	7.5	30x50
10	68000	689LBA010M2EF	21.94	7.48	35x40
10	82000	829LBA010M2EH	21.03	8.5	35x50
16	6800	688LBA016M2AC	121.9	2.33	20x25
16	8200	828LBA016M2AD	101.09	2.56	20x30
16	10000	109LBA016M2AE	82.89	2.85	20x35
16	10000	109LBA016M2BD	82.89	2.84	22x30
16	10000	109LBA016M2CC	82.89	2.76	25x25
16	12000	129LBA016M2AF	69.08	3.2	20x40
16	12000	129LBA016M2BD	69.08	3.13	22x30
16	12000	129LBA016M2CC	69.08	3.01	25x25
16	15000	159LBA016M2BE	55.26	3.69	22x35
16	15000	159LBA016M2BF	55.26	3.94	22x40
16	15000	159LBA016M2CD	55.26	3.64	25x30
16	15000	159LBA016M2DC	55.26	3.51	30x25
16	18000	189LBA016M2BF	46.05	3.98	22x40
16	18000	189LBA016M2CE	46.05	3.98	25x35
16	18000	189LBA016M2DD	46.05	3.88	30x30
16	22000	229LBA016M2BH	37.68	5.23	22x50
16	22000	229LBA016M2CF	37.68	4.44	25x40
16	22000	229LBA016M2CH	37.68	4.52	25x50
16	22000	229LBA016M2DD	37.68	4.45	30x30
16	22000	229LBA016M2EC	37.68	4.13	35x25
16	27000	279LBA016M2CG	30.7	4.98	25x45
16	27000	279LBA016M2DE	30.7	4.95	30x35
16	27000	279LBA016M2ED	30.7	4.82	35x30
16	33000	339LBA016M2CH	25.12	5.49	25x50
16	33000	339LBA016M2DF	25.12	5.8	30x40
16	33000	339LBA016M2ED	25.12	5.15	35x30
16	39000	399LBA016M2DG	0.02	6.21	30x45
16	39000	399LBA016M2EE	0.02	6.12	35x35
16	47000	479LBA016M2DH	22.58	6.78	30x50
16	47000	479LBA016M2EF	22.58	6.71	35x40
16	56000	569LBA016M2EG	21.61	7.69	35x45
25	4700	478LBA025M2AC	158.73	2.18	20x25
25	4700	478LBA025M2BC	158.73	2.2	22x25

WVDC	Capacitance (µF)	IC PART NUMBER	Maximum ESR (mΩ) 120 Hz, +20°C	Maximum RMS Ripple Current (A) 120 Hz, +85°C	Dims DxDL (mm)
25	5600	568LBA025M2AD	133.22	2.33	20x30
25	5600	568LBA025M2BC	133.22	2.31	22x25
25	6800	688LBA025M2AE	109.71	2.56	20x35
25	6800	688LBA025M2BD	109.71	2.56	22x30
25	6800	688LBA025M2CC	109.71	2.55	25x25
25	8200	828LBA025M2AF	90.98	2.91	20x40
25	8200	828LBA025M2CC	90.98	2.78	25x25
25	10000	109LBA025M2BE	74.6	3.31	22x35
25	10000	109LBA025M2CD	74.6	3.16	25x30
25	10000	109LBA025M2DC	74.6	3.31	30x25
25	12000	129LBA025M2BF	62.17	3.77	22x40
25	12000	129LBA025M2CE	62.17	3.63	25x35
25	12000	129LBA025M2DC	62.17	3.8	30x25
25	15000	159LBA025M2BH	49.74	4.21	22x50
25	15000	159LBA025M2CF	49.74	4.1	25x40
25	15000	159LBA025M2DD	49.74	4	30x30
25	18000	189LBA025M2CG	41.45	4.68	25x45
25	18000	189LBA025M2DE	41.45	4.66	30x35
25	18000	189LBA025M2ED	41.45	4.68	35x30
25	22000	229LBA025M2DF	33.91	5.33	30x40
25	22000	229LBA025M2EE	33.91	5.73	35x35
25	27000	279LBA025M2DG	27.63	6.02	30x45
25	27000	279LBA025M2EF	27.63	6.02	35x40
25	33000	339LBA025M2EG	22.61	6.75	35x45
25	33000	339LBA025M2EH	22.61	7.2	35x50
25	39000	399LBA025M2EH	0.02	7.56	35x50
35	2200	228LBA035M2CA	301.43	1.7	25x20
35	2700	278LBA035M2AC	245.61	1.76	20x25
35	3300	338LBA035M2AD	200.95	2.14	20x30
35	3300	338LBA035M2BC	200.95	2.2	22x25
35	3900	398LBA035M2AD	170.14	2.28	20x30
35	3900	398LBA035M2BC	170.14	2.22	22x25
35	4700	478LBA035M2AE	141.09	2.46	20x35
35	4700	478LBA035M2BD	141.09	2.4	22x30
35	4700	478LBA035M2CC	141.09	2.35	25x25
35	5600	568LBA035M2BE	118.42	2.79	22x35
35	5600	568LBA035M2CD	118.42	2.75	25x30
35	6800	688LBA035M2BE	60.95	2.9	22x35
35	6800	688LBA035M2CD	97.52	2.89	25x30
35	8200	828LBA035M2BG	80.87	3.47	22x45
35	8200	828LBA035M2CE	80.87	3.45	25x35
35	8200	828LBA035M2DD	80.87	3.29	30x30
35	10000	109LBA035M2BH	66.31	3.75	22x50
35	10000	109LBA035M2CF	66.31	3.65	25x40
35	10000	109LBA035M2DD	66.31	4	30x30
35	12000	129LBA035M2CG	55.26	4.15	25x45
35	12000	129LBA035M2DE	55.26	4.14	30x35
35	12000	129LBA035M2ED	55.26	4.27	35x30
35	15000	159LBA035M2DF	44.21	5.07	30x40
35	15000	159LBA035M2EE	44.21	5	35x35
35	18000	189LBA035M2DG	36.84	5.3	30x45
35	18000	189LBA035M2EF	36.84	5.71	35x40
35	22000	229LBA035M2EG	30.14	6.25	35x45
35	27000	279LBA035M2EH	24.56	6.9	35x50
50	1800	188LBA050M2AC	322.36	1.7	20x25
50	2200	228LBA050M2AD	263.75	2.07	20x30
50	2200	228LBA050M2BC	263.75	2	22x25
50	2700	278LBA050M2AE	214.91	2.21	20x35

Americas / EU
Phone: 1-508-996-8561
Email: cdena@cde.com



Asia
Phone: 852-2793-0931
Email: cdeasia@cde.com

LBA

+85°C Standard, 2000 hrs

WVDC	Capacitance (µF)	IC PART NUMBER	Maximum ESR (mΩ) 120 Hz, +20°C	Maximum RMS Ripple Current (A) 120 Hz, +85°C	Dims DxDL (mm)
50	2700	278LBA050M2BD	214.91	2.21	22x30
50	3300	338LBA050M2AF	175.83	2.41	20x40
50	3300	338LBA050M2BC	401.9	1.8	22x25
50	3300	338LBA050M2BD	175.83	2.4	22x30
50	3300	338LBA050M2CC	175.83	2.35	25x25
50	3900	398LBA050M2BE	148.78	2.72	22x35
50	3900	398LBA050M2CD	148.78	2.68	25x30
50	4700	478LBA050M2BF	123.46	2.91	22x40
50	4700	478LBA050M2CD	123.46	3.07	25x30
50	4700	478LBA050M2CE	123.46	2.86	25x35
50	4700	478LBA050M2DC	123.46	2.8	30x25
50	5600	568LBA050M2BG	103.62	3.43	22x45
50	5600	568LBA050M2CE	103.62	3.47	25x35
50	5600	568LBA050M2DD	103.62	3.43	30x30
50	6800	688LBA050M2BH	85.33	3.94	22x50
50	6800	688LBA050M2CF	85.33	3.87	25x40
50	6800	688LBA050M2DD	85.33	3.69	30x30
50	6800	688LBA050M2DE	85.33	3.93	30x35
50	6800	688LBA050M2ED	85.33	3.73	35x30
50	8200	828LBA050M2CG	70.76	4.44	25x45
50	8200	828LBA050M2DE	70.76	4.47	30x35
50	8200	828LBA050M2ED	70.76	4.41	35x30
50	10000	109LBA050M2DF	58.03	5.08	30x40
50	10000	109LBA050M2EE	58.03	4.7	35x35
50	12000	129LBA050M2DH	48.35	5.72	30x50
50	12000	129LBA050M2EF	48.35	5.69	35x40
50	15000	159LBA050M2EG	38.68	5.9	35x45
50	18000	189LBA050M2EH	32.24	7.14	35x50
63	1500	158LBA063M2AC	331.57	1.69	20x25
63	1500	158LBA063M2BC	331.57	2	22x25
63	1800	188LBA063M2AD	276.31	2.04	20x30
63	1800	188LBA063M2BC	276.31	1.9	22x25
63	2200	228LBA063M2AE	226.07	2.4	20x35
63	2200	228LBA063M2BD	226.07	2.35	22x30
63	2200	228LBA063M2CC	226.07	2.3	25x25
63	2700	278LBA063M2AF	184.21	2.52	20x40
63	2700	278LBA063M2BE	184.21	2.5	22x35
63	2700	278LBA063M2CD	184.21	2.52	25x30
63	3300	338LBA063M2BF	150.71	2.72	22x40
63	3300	338LBA063M2CD	150.71	2.74	25x30
63	3300	338LBA063M2DC	150.71	2.78	30x25
63	3900	398LBA063M2BG	127.53	3.09	22x45
63	3900	398LBA063M2CE	127.53	3.13	25x35
63	3900	398LBA063M2DD	127.53	3.09	30x30
63	4700	478LBA063M2BH	105.82	3.69	22x50
63	4700	478LBA063M2CE	105.82	3.59	25x35
63	4700	478LBA063M2CF	105.82	3.59	25x40
63	4700	478LBA063M2DD	105.82	3.2	30x30
63	5600	568LBA063M2CG	88.81	4.01	25x45
63	5600	568LBA063M2DE	88.81	4	30x35
63	5600	568LBA063M2ED	88.81	3.75	35x30
63	6800	688LBA063M2CH	73.14	4.52	25x50
63	6800	688LBA063M2DF	73.14	4.55	30x40
63	8200	828LBA063M2DG	60.65	5.12	30x45
63	8200	828LBA063M2EE	60.65	5.05	35x35
63	10000	109LBA063M2DH	49.74	5.78	30x50
63	10000	109LBA063M2EG	49.74	5.2	35x45
80	1000	108LBA080M2AC	414.47	1.56	20x25

WVDC	Capacitance (µF)	IC PART NUMBER	Maximum ESR (mΩ) 120 Hz, +20°C	Maximum RMS Ripple Current (A) 120 Hz, +85°C	Dims DxDL (mm)
80	1000	108LBA080M2BC	414.47	1.65	22x25
80	1200	128LBA080M2AD	345.39	1.8	20x30
80	1200	128LBA080M2BC	345.39	1.77	22x25
80	1500	158LBA080M2AE	276.31	2.1	20x35
80	1500	158LBA080M2BD	276.31	2.01	22x30
80	1800	188LBA080M2AF	230.26	2.3	20x40
80	1800	188LBA080M2BD	230.26	2.11	22x30
80	1800	188LBA080M2CC	230.26	2.26	25x25
80	2200	228LBA080M2CD	188.39	2.53	25x30
80	2200	228LBA080M2DC	188.39	2.56	30x25
80	2700	278LBA080M2BG	153.51	2.93	22x45
80	2700	278LBA080M2CE	153.51	2.93	25x35
80	2700	278LBA080M2DD	153.51	2.91	30x30
80	3300	338LBA080M2BH	125.6	3.23	22x50
80	3300	338LBA080M2CF	125.6	3.29	25x40
80	3300	338LBA080M2DD	125.6	3.25	30x30
80	3900	398LBA080M2CG	106.27	3.62	25x45
80	3900	398LBA080M2DE	106.27	3.7	30x35
80	4700	478LBA080M2CH	88.18	4.28	25x50
80	4700	478LBA080M2DF	88.18	4.23	30x40
80	4700	478LBA080M2ED	88.18	3.3	35x30
80	5600	568LBA080M2EE	74.01	4.64	35x35
80	6800	688LBA080M2DH	60.95	5.27	30x50
80	6800	688LBA080M2EF	60.95	5.24	35x40
80	6800	688LBA080M2EG	60.95	4.8	35x45
80	8200	828LBA080M2EG	50.54	5.89	35x45
80	10000	109LBA080M2EH	41.45	6.63	35x50
100	680	687LBA100M2AC	487.61	1.66	20x25
100	680	687LBA100M2BC	487.61	1.85	22x25
100	820	827LBA100M2AD	404.36	1.85	20x30
100	820	827LBA100M2BC	404.36	1.86	22x25
100	1000	108LBA100M2AE	331.57	2.02	20x35
100	1000	108LBA100M2BD	331.57	2.02	22x30
100	1000	108LBA100M2CC	331.57	2.03	25x25
100	1200	128LBA100M2AF	276.31	2.12	20x40
100	1200	128LBA100M2BD	276.31	2.12	22x30
100	1200	128LBA100M2CC	276.31	2.11	25x25
100	1500	158LBA100M2BE	221.05	2.45	22x35
100	1500	158LBA100M2CD	221.05	2.47	25x30
100	1800	188LBA100M2BF	184.21	2.77	22x40
100	1800	188LBA100M2CE	184.21	2.81	25x35
100	1800	188LBA100M2DC	184.21	2.65	30x25
100	2200	228LBA100M2BG	150.71	3.15	22x45
100	2200	228LBA100M2CF	150.71	3.21	25x40
100	2200	228LBA100M2CG	150.71	3.41	25x45
100	2200	228LBA100M2DD	150.71	3.17	30x30
100	2700	278LBA100M2DE	122.8	3.65	30x35
100	2700	278LBA100M2ED	122.8	3.77	35x30
100	2700	278LBA100M2EG	122.8	3.66	35x45
100	3300	338LBA100M2CH	100.48	4.15	25x50
100	3300	338LBA100M2DF	100.48	4.18	30x40
100	3300	338LBA100M2EE	100.48	3.58	35x35
100	3900	398LBA100M2DG	85.02	4.64	30x45
100	3900	398LBA100M2EE	85.02	4.61	35x35
100	4700	478LBA100M2DH	70.55	5.26	30x50
100	4700	478LBA100M2EF	70.55	5.23	35x40
100	4700	478LBA100M2EG	70.55	4.3	35x45
100	5600	568LBA100M2EG	59.21	5.88	35x45

Americas / EU
Phone: 1-508-996-8561
Email: cdena@cde.com



Asia
Phone: 852-2793-0931
Email: cdeasia@cde.com

LBA

+85°C Standard, 2000 hrs

WVDC	Capacitance (µF)	IC PART NUMBER	Maximum ESR (mΩ) 120 Hz, +20°C	Maximum RMS Ripple Current (A) 120 Hz, +85°C	Dims DxL (mm)
100	6800	688LBA100M2EH	48.76	6.01	35x50
160	220	227LBA160M2BA	1130.36	1	22x20
160	270	277LBA160M2AC	921.04	1.28	20x25
160	330	337LBA160M2AC	753.57	1.55	20x25
160	390	397LBA160M2AD	637.64	1.63	20x30
160	390	397LBA160M2BC	637.64	1.63	22x25
160	470	477LBA160M2AE	529.11	1.9	20x35
160	470	477LBA160M2BD	529.11	1.86	22x30
160	470	477LBA160M2CC	529.11	1.52	25x25
160	560	567LBA160M2AF	444.07	2.14	20x40
160	560	567LBA160M2BD	444.07	2.15	22x30
160	560	567LBA160M2CD	444.07	2.15	25x30
160	680	687LBA160M2BF	365.71	2.35	22x40
160	680	687LBA160M2CD	365.71	2.33	25x30
160	680	687LBA160M2DC	365.71	2.1	30x25
160	820	827LBA160M2BG	303.27	2.68	22x45
160	820	827LBA160M2CE	303.27	2.65	25x35
160	820	827LBA160M2DD	303.27	2.64	30x30
160	1000	108LBA160M2BH	248.68	3.02	22x50
160	1000	108LBA160M2CF	248.68	3	25x40
160	1000	108LBA160M2DD	248.68	2.8	30x30
160	1200	128LBA160M2CG	207.23	3.43	25x45
160	1200	128LBA160M2DE	209.23	3.2	30x35
160	1200	128LBA160M2ED	207.23	3.2	35x30
160	1500	158LBA160M2DF	165.79	3.96	30x40
160	1500	158LBA160M2EE	165.79	3.48	35x35
160	1800	188LBA160M2DG	184.21	4.31	30x45
160	1800	188LBA160M2EE	184.21	4.28	35x35
160	2200	228LBA160M2EF	113.04	4.96	35x40
160	2700	278LBA160M2EH	92.1	5.57	35x50
200	220	227LBA200M2AC	1130.36	1.19	20x25
200	220	227LBA200M2BC	1130.36	1.14	22x25
200	220	227LBA200M2CA	1130.36	1.1	25x20
200	270	277LBA200M2AD	921.04	1.39	20x30
200	270	277LBA200M2BC	921.04	1.37	22x25
200	330	337LBA200M2AD	753.57	1.56	20x30
200	330	337LBA200M2BC	753.57	1.51	22x25
200	390	397LBA200M2AE	637.64	1.74	20x35
200	390	397LBA200M2BD	637.64	1.73	22x30
200	390	397LBA200M2CC	637.64	1.71	25x25
200	470	477LBA200M2AF	529.11	2.03	20x40
200	470	477LBA200M2BD	529.11	1.97	22x30
200	470	477LBA200M2BF	529.11	2.02	22x40
200	470	477LBA200M2CD	529.11	1.91	25x30
200	470	477LBA200M2CE	529.11	1.8	25x35
200	560	567LBA200M2BF	444.07	2.18	22x40
200	560	567LBA200M2CD	444.07	2.15	25x30
200	560	567LBA200M2DC	444.07	2.15	30x25
200	680	687LBA200M2BH	365.71	2.48	22x50
200	680	687LBA200M2CE	365.71	2.48	25x35
200	680	687LBA200M2DD	365.71	2.48	30x30
200	820	827LBA200M2BH	303.27	2.81	22x50
200	820	827LBA200M2CF	303.27	2.79	25x40
200	820	827LBA200M2DD	303.27	2.75	30x30
200	1000	108LBA200M2CG	248.68	3.28	25x45
200	1000	108LBA200M2DE	248.68	3.15	30x35
200	1000	108LBA200M2DG	248.68	3.42	30x45
200	1000	108LBA200M2EE	248.68	3.35	35x35

WVDC	Capacitance (µF)	IC PART NUMBER	Maximum ESR (mΩ) 120 Hz, +20°C	Maximum RMS Ripple Current (A) 120 Hz, +85°C	Dims DxL (mm)
200	1200	128LBA200M2CH	207.23	3.61	25x50
200	1200	128LBA200M2DF	207.23	3.61	30x40
200	1500	158LBA200M2DG	165.79	4.13	30x45
200	1500	158LBA200M2EG	165.79	4.1	35x45
200	1800	188LBA200M2EG	138.16	4.59	35x45
200	1800	188LBA200M2EH	138.16	4.38	35x50
200	2200	228LBA200M2EH	113.04	4.7	35x50
250	150	157LBA250M2CA	1657.86	0.85	25x20
250	180	187LBA250M2AC	1381.55	1.2	20x25
250	220	227LBA250M2AD	1130.36	1.26	20x30
250	220	227LBA250M2BC	1130.36	1.24	22x25
250	270	277LBA250M2AD	921.04	1.42	20x30
250	270	277LBA250M2BD	921.04	1.5	22x30
250	330	337LBA250M2AE	753.57	1.68	20x35
250	330	337LBA250M2BD	753.57	1.66	22x30
250	330	337LBA250M2CC	753.57	1.61	25x25
250	330	337LBA250M2CD	753.57	1.67	25x30
250	390	397LBA250M2AF	637.64	1.92	20x40
250	390	397LBA250M2BE	637.64	1.88	22x35
250	390	397LBA250M2CD	637.64	1.88	25x30
250	470	477LBA250M2BF	529.11	2.15	22x40
250	470	477LBA250M2BH	529.11	2.08	22x50
250	470	477LBA250M2CE	529.11	2.15	25x35
250	470	477LBA250M2CF	529.11	2.03	25x40
250	470	477LBA250M2DC	529.11	2.04	30x25
250	470	477LBA250M2DD	529.11	1.97	30x30
250	560	567LBA250M2BG	444.07	2.48	22x45
250	560	567LBA250M2CE	444.07	2.35	25x35
250	560	567LBA250M2DD	444.07	2.35	30x30
250	680	687LBA250M2CF	365.71	2.67	25x40
250	680	687LBA250M2DE	365.71	2.4	30x35
250	820	827LBA250M2CH	303.27	3.1	25x50
250	820	827LBA250M2DE	303.27	2.98	30x35
250	820	827LBA250M2ED	303.27	2.96	35x30
250	1000	108LBA250M2DG	248.68	3	30x45
250	1000	108LBA250M2DH	248.68	3.65	30x50
250	1000	108LBA250M2EF	248.68	3.58	35x40
250	1200	128LBA250M2DH	207.23	3.99	30x50
250	1200	128LBA250M2EF	207.23	3.84	35x40
250	1500	158LBA250M2EH	165.79	4	35x50
350	100	107LBA350M2CC	2486.8	0.63	25x25
350	120	127LBA350M2AD	2072.33	0.96	20x30
350	120	127LBA350M2BC	2072.33	1.04	22x25
350	150	157LBA350M2AD	1657.86	1.1	20x30
350	150	157LBA350M2BD	1657.86	1.2	22x30
350	150	157LBA350M2CC	1657.86	1.22	25x25
350	180	187LBA350M2AE	1381.55	1.24	20x35
350	180	187LBA350M2BD	1381.55	1.34	22x30
350	180	187LBA350M2CC	1381.55	1.37	25x25
350	220	227LBA350M2BE	1130.36	1.47	22x35
350	220	227LBA350M2CD	1130.36	1.53	25x30
350	220	227LBA350M2DC	1130.36	1.54	30x25
350	220	227LBA350M2DD	1130.36	1.29	30x30
350	270	277LBA350M2BF	921.04	1.7	22x40
350	270	277LBA350M2CE	921.04	1.73	25x35
350	270	277LBA350M2DC	921.04	1.8	30x25
350	330	337LBA350M2BG	753.57	1.87	22x45
350	330	337LBA350M2CF	753.57	1.97	25x40

LBA

+85°C Standard, 2000 hrs

WVDC	Capacitance (µF)	IC PART NUMBER	Maximum ESR (mΩ) 120 Hz, +20°C	Maximum RMS Ripple Current (A) 120 Hz, +85°C	Dims DxL (mm)
350	330	337LBA350M2DD	753.57	2.03	30x30
350	390	397LBA350M2CF	637.64	2.14	25x40
350	390	397LBA350M2DE	637.64	2.23	30x35
350	390	397LBA350M2ED	637.64	2.3	35x30
350	470	477LBA350M2DE	529.11	2.53	30x35
350	470	477LBA350M2ED	529.11	2.55	35x30
350	560	567LBA350M2DF	444.07	2.73	30x40
350	560	567LBA350M2EE	444.07	2.75	35x35
350	680	687LBA350M2EF	365.71	3.15	35x40
350	820	827LBA350M2EG	303.27	3.47	35x45
350	1000	108LBA350M2EH	248.68	3.6	35x50
400	68	686LBA400M2AC	3657.05	0.75	20x25
400	82	826LBA400M2AD	3032.68	0.82	20x30
400	82	826LBA400M2BC	3032.68	0.84	22x25
400	100	107LBA400M2AD	2486.8	0.95	20x30
400	100	107LBA400M2BD	2486.8	0.68	22x30
400	100	107LBA400M2CC	2486.8	0.99	25x25
400	120	127LBA400M2AE	2072.33	1.07	20x35
400	120	127LBA400M2BD	2072.33	1.09	22x30
400	120	127LBA400M2CC	2072.33	1.13	25x25
400	150	157LBA400M2AF	1657.86	1.22	20x40
400	150	157LBA400M2BF	1657.86	0.94	22x40
400	150	157LBA400M2CD	1657.86	1.27	25x30
400	180	187LBA400M2BF	1381.55	1.41	22x40
400	180	187LBA400M2CD	1381.55	1.44	25x30
400	180	187LBA400M2DC	1381.55	1.52	30x25
400	220	227LBA400M2BG	1130.36	1.58	22x45
400	220	227LBA400M2CE	1130.36	1.64	25x35
400	220	227LBA400M2DD	1130.36	1.66	30x30
400	270	277LBA400M2CF	921.04	1.79	25x40
400	270	277LBA400M2DD	921.04	1.82	30x30
400	330	337LBA400M2CG	753.57	2	25x45
400	330	337LBA400M2DE	753.57	2.05	30x35
400	330	337LBA400M2ED	753.57	2.05	35x30
400	390	397LBA400M2DF	637.64	2.26	30x40
400	390	397LBA400M2EE	637.64	2.28	35x35
400	470	477LBA400M2DG	529.11	2.51	30x45
400	470	477LBA400M2EF	529.11	2.54	35x40
400	470	477LBA400M2EG	529.11	2.23	35x45
400	560	567LBA400M2EF	444.07	2.85	35x40
400	680	687LBA400M2EH	365.71	3.1	35x50
400	820	827LBA400M2EH	303.27	4	35x50
450	47	476LBA450M2BC	7054.74	0.46	22x25

WVDC	Capacitance (µF)	IC PART NUMBER	Maximum ESR (mΩ) 120 Hz, +20°C	Maximum RMS Ripple Current (A) 120 Hz, +85°C	Dims DxL (mm)
450	56	566LBA450M2AC	5920.94	0.61	20x25
450	68	686LBA450M2AD	4876.07	0.7	20x30
450	68	686LBA450M2BC	4876.07	0.71	22x25
450	68	686LBA450M2CC	4876.07	0.6	25x25
450	82	826LBA450M2AE	4043.57	0.8	20x35
450	82	826LBA450M2BC	4043.57	0.86	22x25
450	100	107LBA450M2BD	3315.73	0.95	22x30
450	100	107LBA450M2BE	3315.73	0.77	22x35
450	100	107LBA450M2CC	3315.73	0.97	25x25
450	120	127LBA450M2AF	2763.11	0.99	20x40
450	120	127LBA450M2BE	2763.11	1.07	22x35
450	120	127LBA450M2CD	2763.11	1.09	25x30
450	150	157LBA450M2BF	2210.49	1.18	22x40
450	150	157LBA450M2CD	2210.49	1.25	25x30
450	150	157LBA450M2DC	2210.49	1.29	30x25
450	180	187LBA450M2BG	1842.07	1.32	22x45
450	180	187LBA450M2CE	1842.07	1.4	25x35
450	180	187LBA450M2DD	1842.07	1.45	30x30
450	220	227LBA450M2CF	1507.15	1.59	25x40
450	220	227LBA450M2DD	1507.15	1.64	30x30
450	220	227LBA450M2DF	1507.15	1.44	30x40
450	220	227LBA450M2ED	1507.15	1.66	35x30
450	270	277LBA450M2CG	1228.05	1.73	25x45
450	270	277LBA450M2DE	1228.05	1.89	30x35
450	270	277LBA450M2ED	1228.05	1.9	35x30
450	330	337LBA450M2DF	1004.77	2.12	30x40
450	330	337LBA450M2EE	1004.77	2.15	35x35
450	390	397LBA450M2DG	850.19	2.35	30x45
450	390	397LBA450M2EF	850.19	2.38	35x40
450	470	477LBA450M2EG	529.11	2.68	35x45
450	470	477LBA450M2EH	529.11	2.5	35x50
500	100	107LBA500M2CC	3315.73	0.8	25x25
500	100	107LBA500M2DC	3315.73	0.84	30x25
500	120	127LBA500M2CD	2763.11	0.89	25x30
500	120	127LBA500M2DC	2763.11	0.9	30x25
500	150	157LBA500M2CE	2210.49	1.07	25x35
500	180	187LBA500M2DE	1842.07	1.3	30x35
500	220	227LBA500M2CG	1507.15	1.4	25x45
500	270	277LBA500M2CH	1228.05	1.6	25x50
500	270	277LBA500M2DF	1228.05	1.55	30x40
500	330	337LBA500M2DG	1004.77	1.8	30x45
500	390	397LBA500M2DH	850.19	2.1	30x50