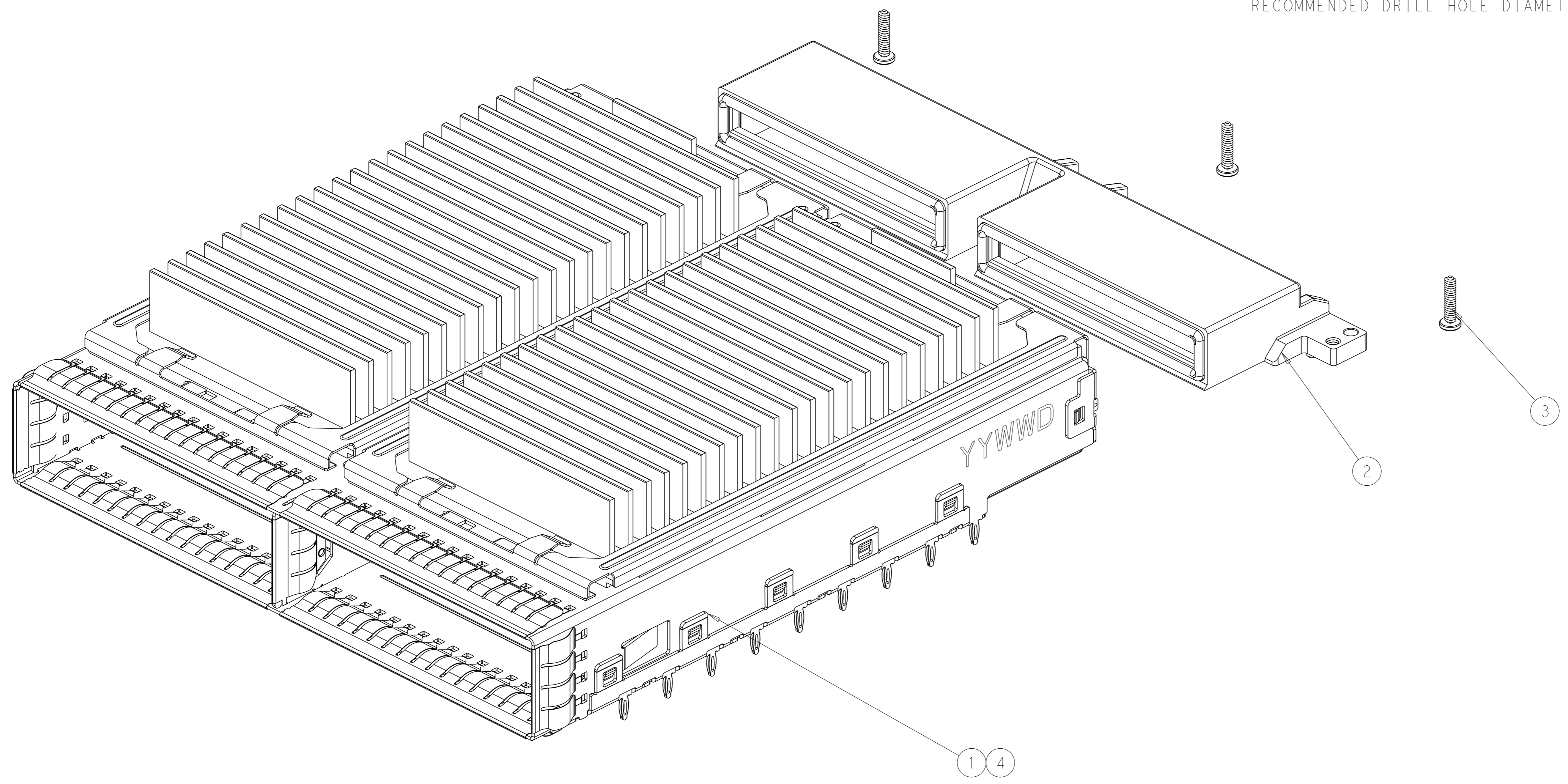


LOC	DIST	REVISIONS					
GP	00	#	CL#	DESCRIPTION	DATE	OWN	APVD
		4		REVISE PCB PROHIBITING AREA	18SEP2016	AD	SH
		5		ADDED NEW DASH NUMBER -4	03DEC2019	SH	SH
		6		GASKET EC CHANGE;-4 HSK DECREASE 0.5MM	28MAY2020	IT	SH
		A		ADD PN -5 WITH CUSTOMIZED HSK	16JUN2020	IT	SH

- ⚠ MATERAIL : CAGE :0.4MM THICK NICKEL SILVER ALLOY;
 EMI SPRING: COPPER ALLOY;
 HEAT SINK CLIP: STAINLESS STEEL;
 HEAT SINK:ALUMINUM ALLOY;
 RECEPTACLE COVER:ZINC ALLOY;
- ⚠ FINISH: EMI SPRING 1.27um NICKEL PALTING OVER ALL;
 HEAT SINK:BLACK ANODIZED COATING;
 RECEPTACLE COVER: 1.27um MIN NICKEL PLATING OVER COPPER PLATING;
 HEAT SINK CLIP: PASSIVATE;
- 3.MATES WITH CFP MSA COMPLIANT TRANSCEIVERS.
- ⚠ DATUM AND BASIC DIMENSION ESTABLISHED BY CUSTOMER.
- 5.MINIMUM PC BOARD THICKNESS: SIGLE SIDE APPLICATIONS:2.0mm;
 BELLY TO BELLY APPLICATION:3.0MM
- ⚠.PADS AND VIAS CHASSIS GROUND;
- ⚠:REFERENCE APPLICATION SPEC 114-32146, FOR
 RECOMMENDED DRILL HOLE DIAMETER AND PLATING THICKNESS.

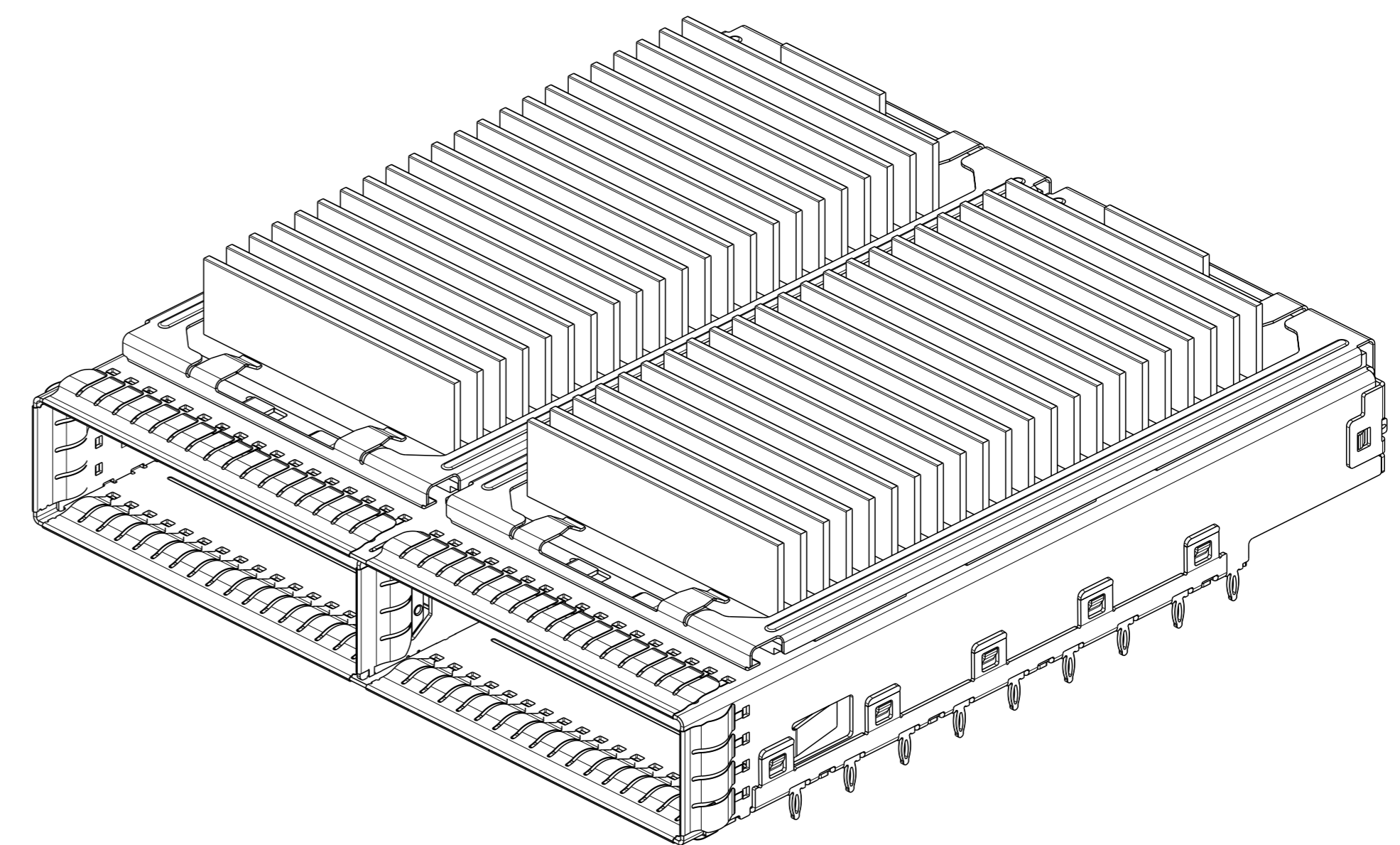
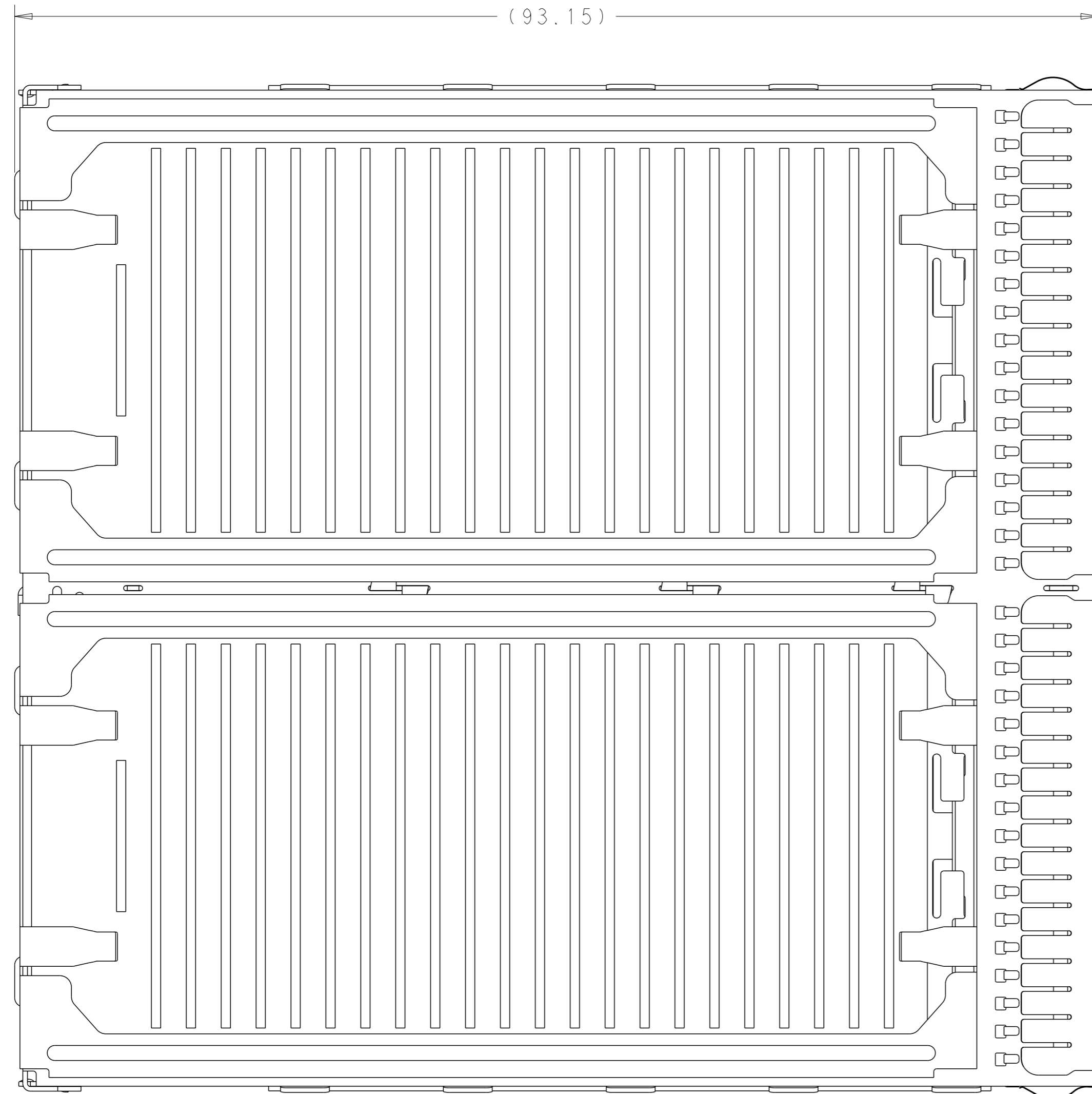


-	1	-	-	2293288-8	CAGE ASSEMBLY WIHT H/S,CFP2 1X2	
1	-	-	-	2293288-6	CAGE ASSEMBLY WITH H/S,CFP2 1X2	4
-	-	1	-	2293288-2	CAGE ASSEMBLY WITH H/S,CFP2 1X2	
3	3	3	3	2292789-1	SCREW	3
1	1	1	1	2287077-1	RECEPTACLE COVER ASSEMBLY	2
-	-	-	1	2293288-1	CAGE ASSEMBLY WITH H/S,CFP2 1X2	1
-5	-4	-2	-1	PAR NUMBER	DESCRIPTION	ITEM

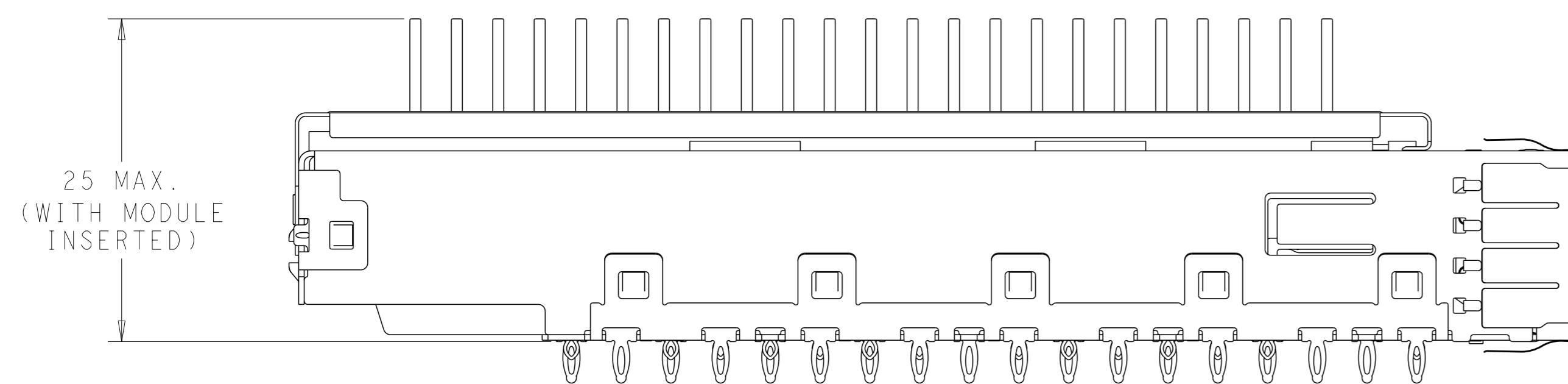
THIS DRAWING IS A CONTROLLED DOCUMENT. **TE** TE Connectivity

DIMENSIONS:	TOLERANCES UNLESS OTHERWISE SPECIFIED:	OWN: Charles Wan 31JAN2015	CHK: Sean Han 31JAN2015	APVD: Sean Han 31JAN2015	NAME: CFP2 HARDWARE AND RECEPTACLE ASSEMBLY, 1X2
mm	0 PLC ±.25 1 PLC ±0.13 2 PLC ±0.10 3 PLC ±.10 4 PLC ±.10	PRODUCT SPEC: 108-32103	APPLICATION SPEC: 114-32146	SIZE: A1	RESTRICTED TO: -
MATERIAL:	FINISH:	WEIGHT:	CUSTOMER DRAWING	SCALE: 1:1	SHEET 1 OF 7 REV A

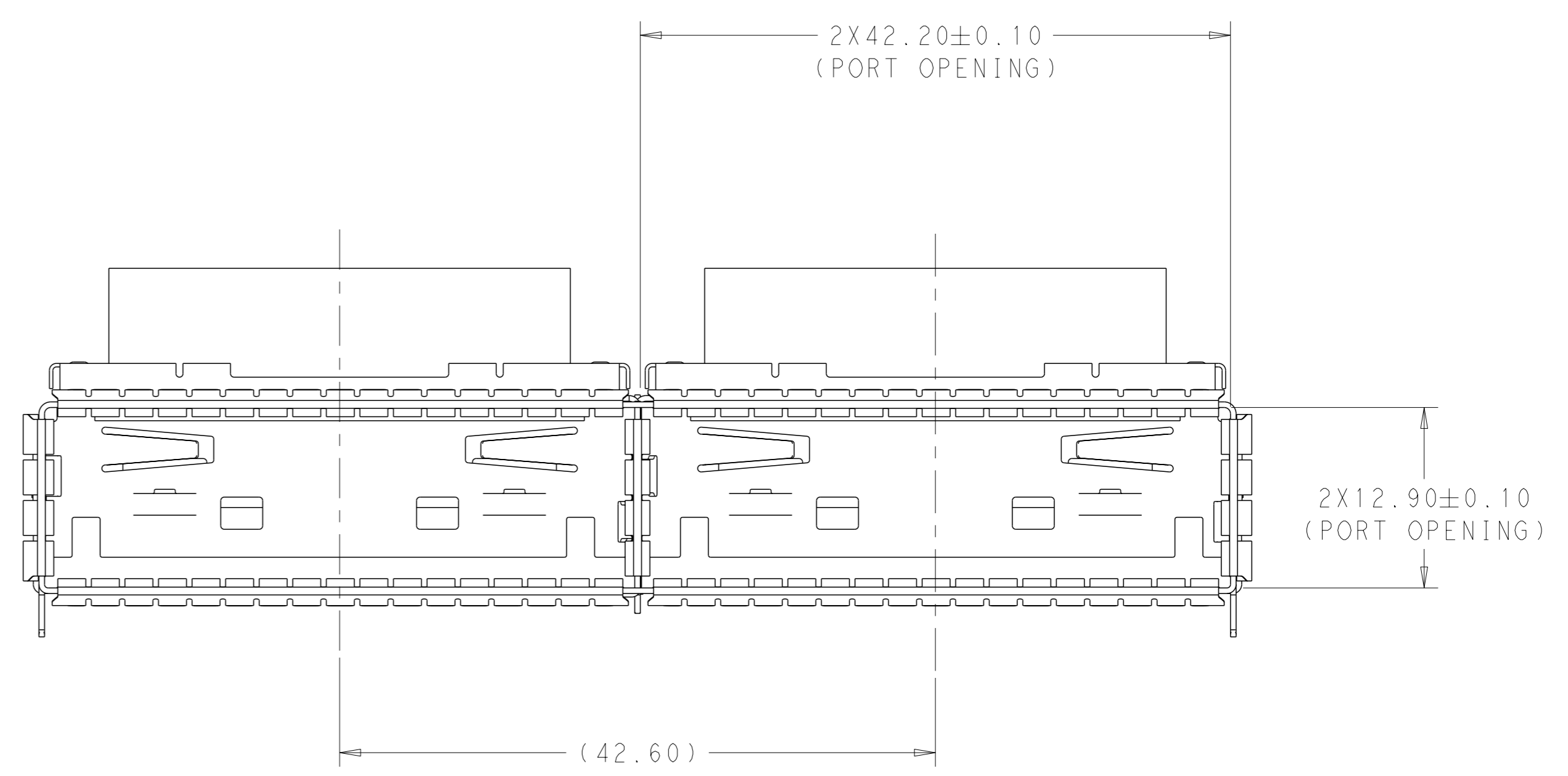
LOC	DIST	REVISIONS			
P	LYR	DESCRIPTION	DATE	OWN	APVD
GP	00	SEE SHEET 1	-	-	-



2293288-1 3D VIEW
SCALE 2:1

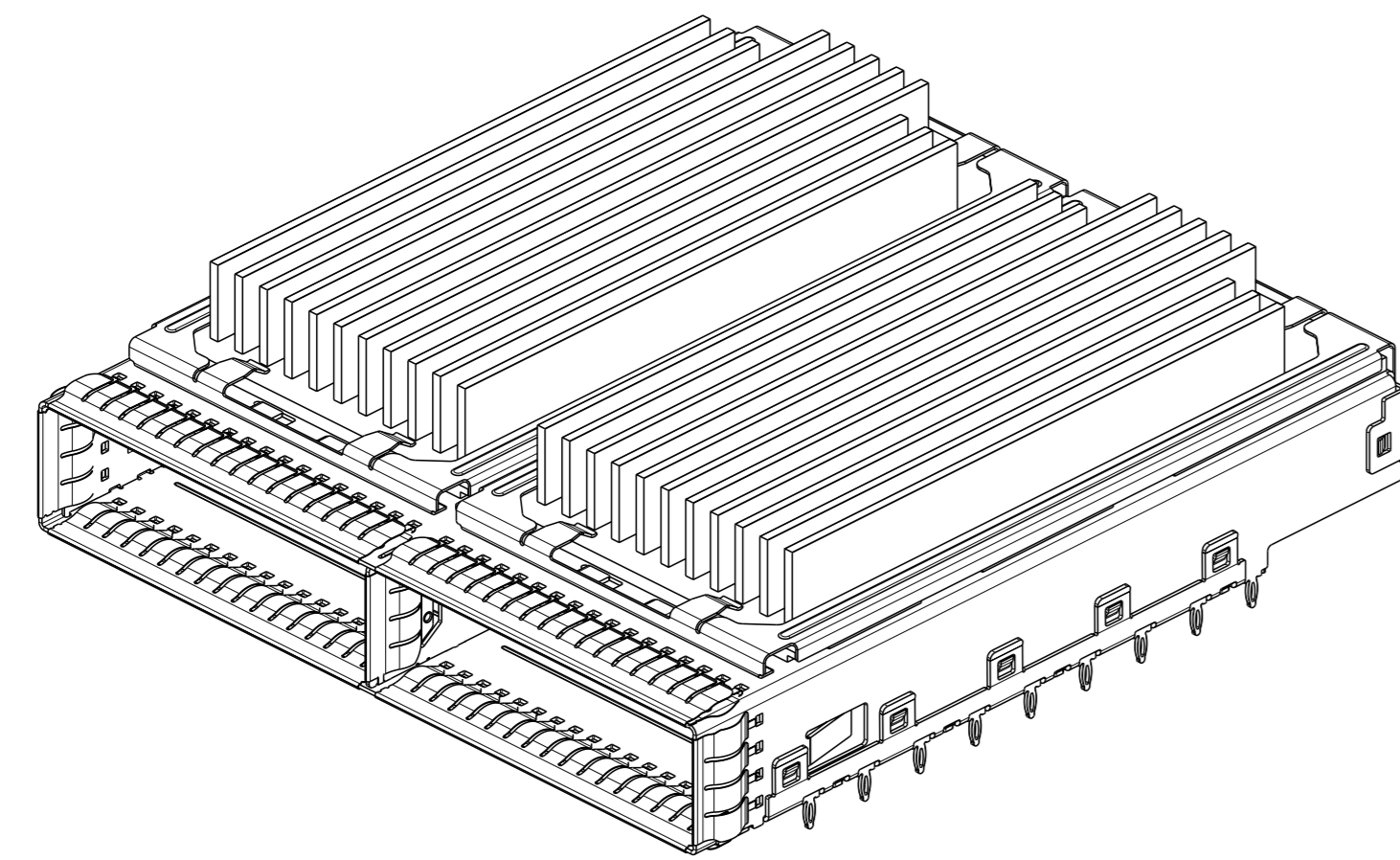


2293288-1 AS SHOWN

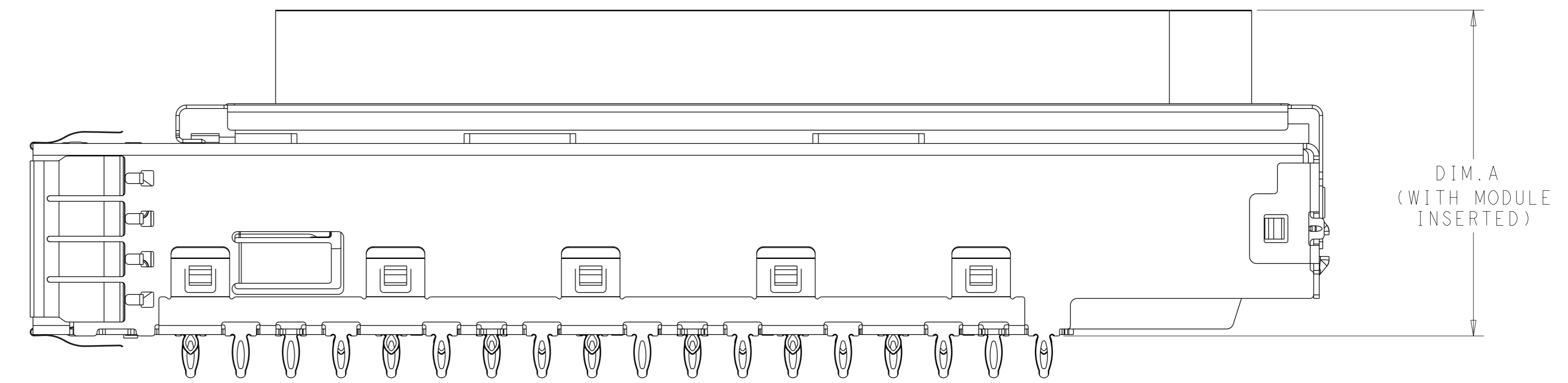


THIS DRAWING IS A CONTROLLED DOCUMENT.		OWN Charles Wan 31JAN2015	TE Connectivity
DIMENSIONS:		CHK Sean Han 31JAN2015	
mm	0 PLC ±	APVD Sean Han 31JAN2015	NAME CFP2 HARDWARE AND RECEPTACLE ASSEMBLY, 1X2
	1 PLC ±0.25	PRODUCT SPEC	SIZE A1
	2 PLC ±0.13	APPLICATION SPEC	CAGE CODE -
	3 PLC ±0.10	WEIGHT -	DRAWING NO. C=2287075
	4 PLC ±	CUSTOMER DRAWING	RESTRICTED TO -
MATERIAL	FINISH	SCALE 3:1	SHEET 2 OF 7
		REV A	

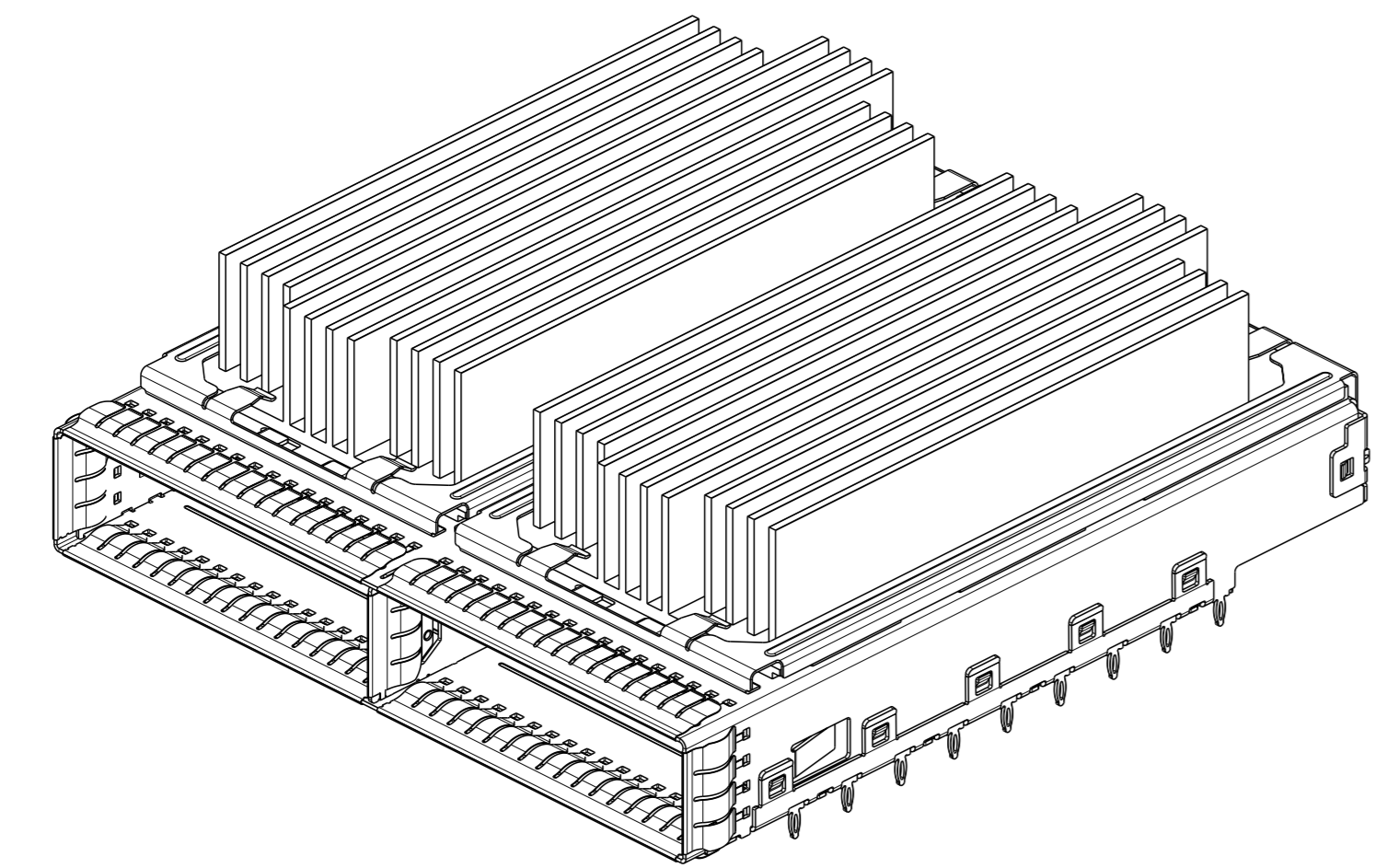
LOC	DIST	REVISIONS			
GP	00	REV	DATE	OWN	APVD
-	-	SEE SHEET 1	-	-	-



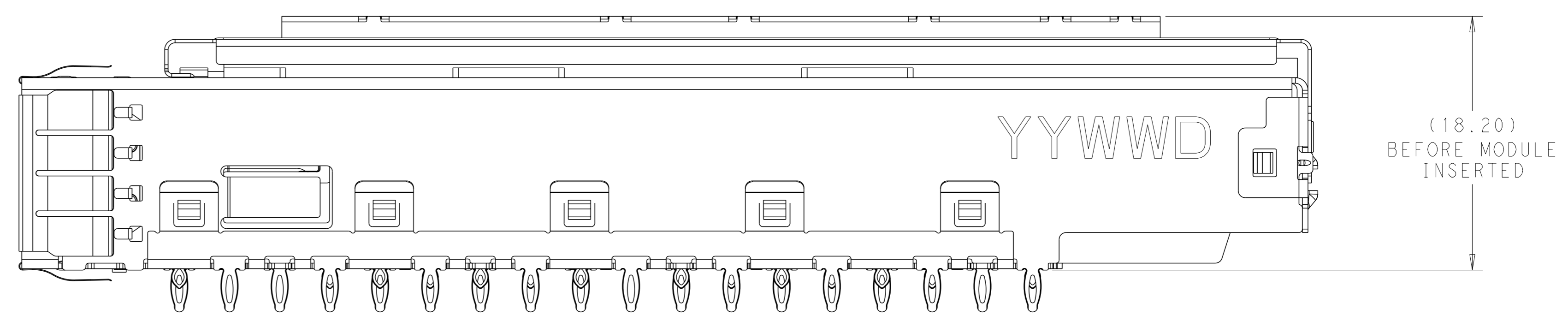
2293288-2 3D VIEW



2293288-2, -6
 OTHER DIMENSIONS
 SAME AS 2293288-1
 SCALE 4:1

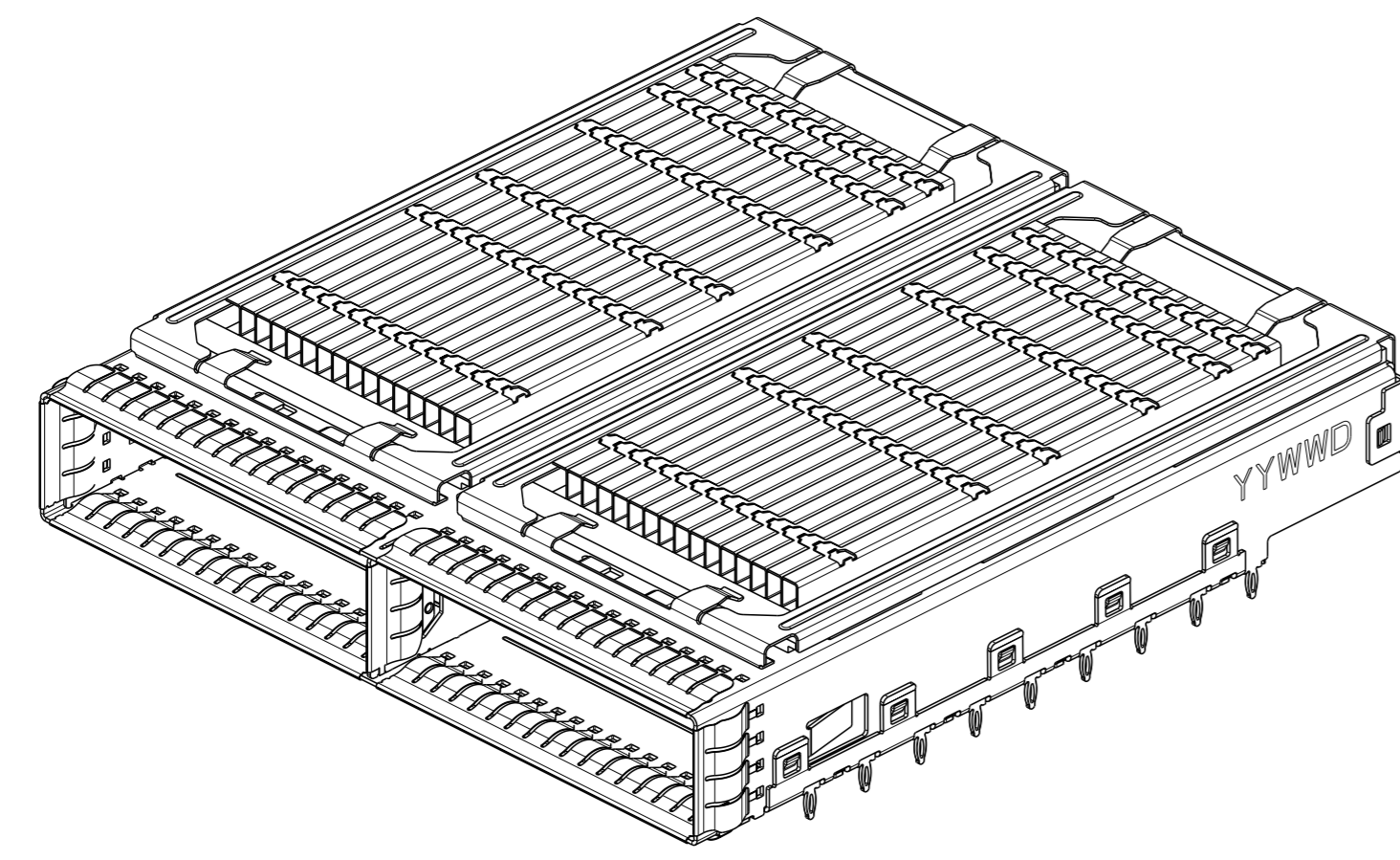


2293288-6 3D VIEW



2293288-8 AS SHOWN
 OTHERS DIMENSIONS
 SAME AS 2293288-1
 SCALE 4:1

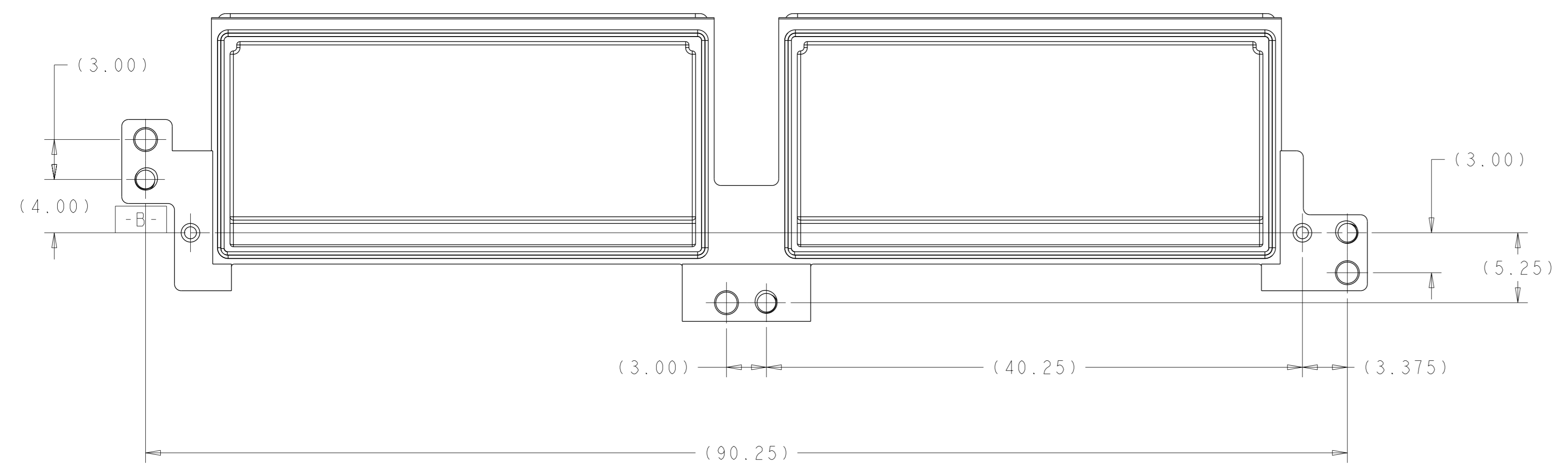
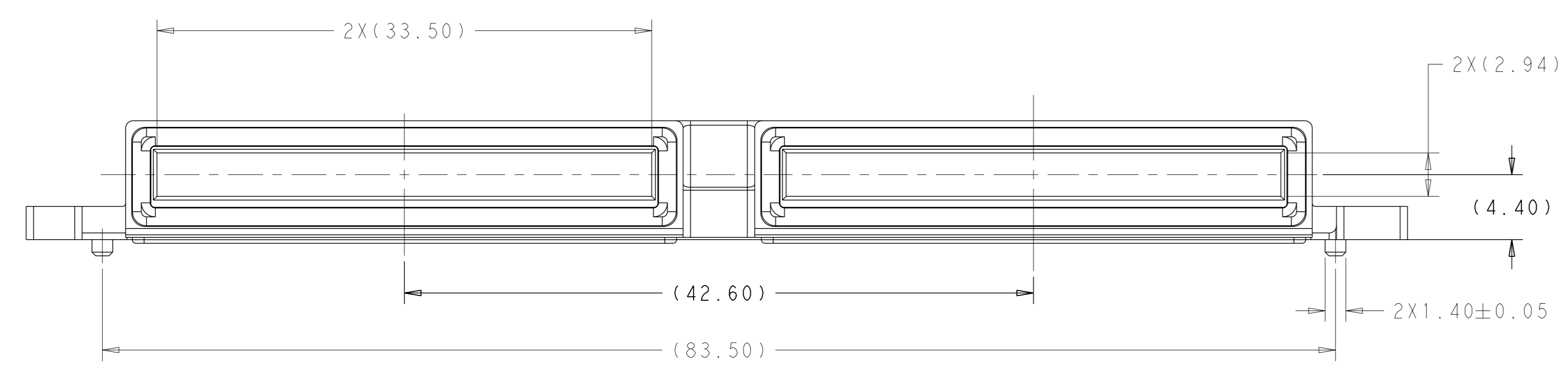
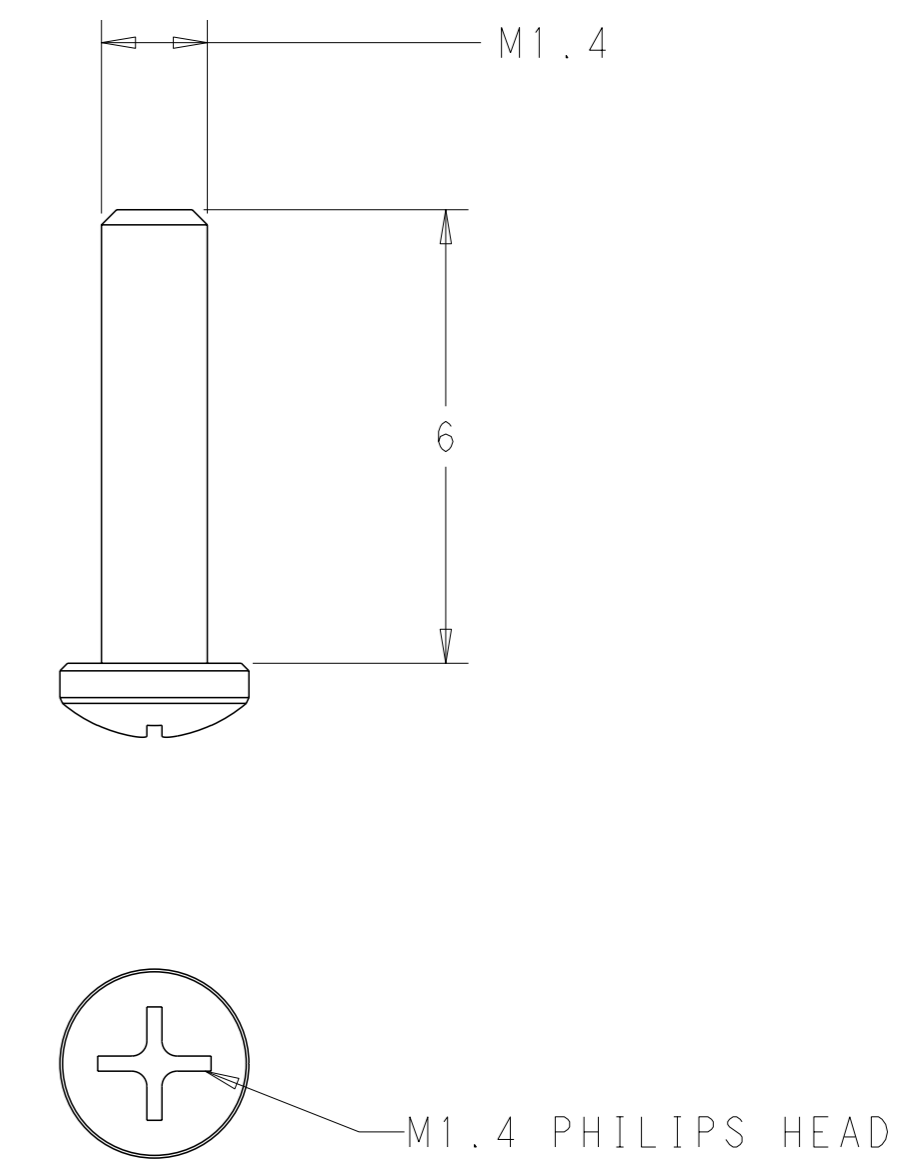
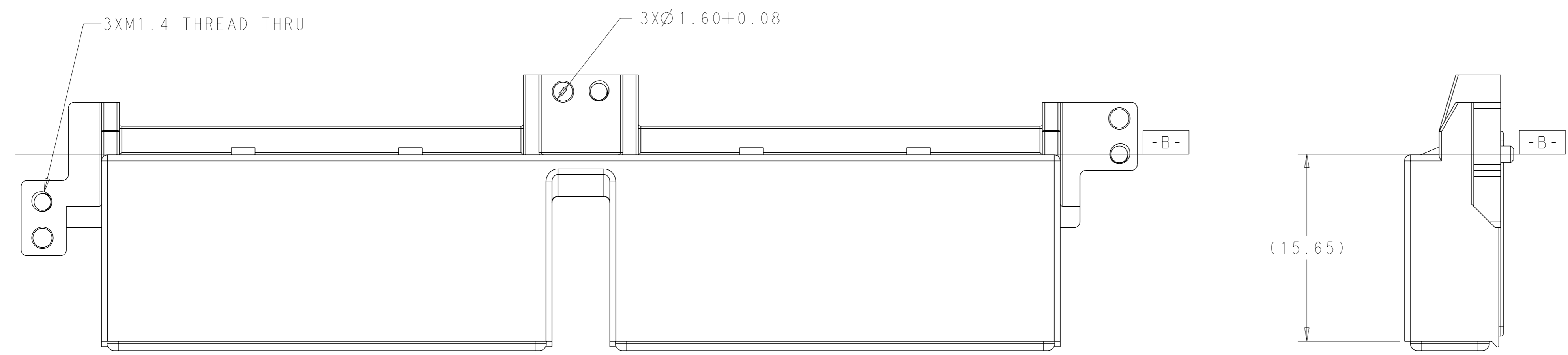
29.5 MAX	2293288-6
25 MAX	2293288-2
DIM. A	PART NUMBER



2293288-8 3D VIEW
 SCALE 3:2

THIS DRAWING IS A CONTROLLED DOCUMENT.		OWN Charles Wan 31JAN2015	TE Connectivity STE
DIMENSIONS:		CHK Sean Han 31JAN2015	
mm	TOLERANCES UNLESS OTHERWISE SPECIFIED:	APVD Sean Han 31JAN2015	NAME CFP2 HARDWARE AND RECEPTACLE ASSEMBLY, 1X2
0 PLC ±	1 PLC ±0.25	PRODUCT SPEC	SIZE A1
2 PLC ±0.13	3 PLC ±0.10	APPLICATION SPEC	CAGE CODE -
4 PLC ±	ANGLES ±	WEIGHT	DRAWING NO. C=2287075
MATERIAL	FINISH	CUSTOMER DRAWING	RESTRICTED TO
		SCALE 1:1	SHEET 3 OF 7
		REV A	

LOC	DIST	REVISIONS			
P	LYR	DESCRIPTION	DATE	OWN	APPD
GP	00	SEE SHEET 1	-	-	-

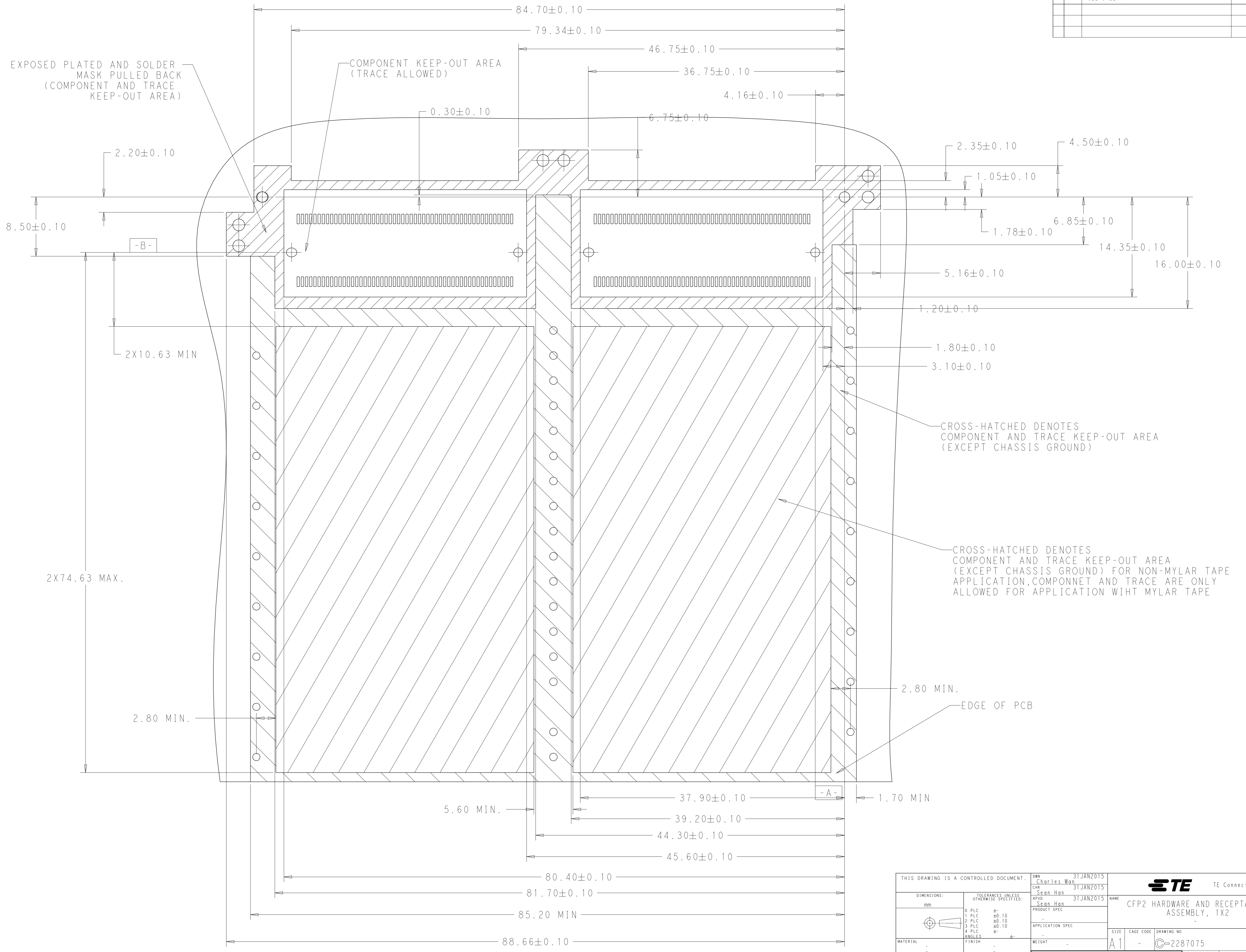


2292789-1
 SCALE 10:1

2287077-1

THIS DRAWING IS A CONTROLLED DOCUMENT.		OWN Charles Wan 31JAN2015	TE Connectivity	
DIMENSIONS:		CHK Sean Han 31JAN2015	NAME CFP2 HARDWARE AND RECEPTACLE ASSEMBLY, 1X2	
mm	TOLERANCES UNLESS OTHERWISE SPECIFIED:	APVD Sean Han 31JAN2015	SIZE A1	RESTRICTED TO
0 PLC	±	PRODUCT SPEC	CAGE CODE	DRAWING NO
1 PLC	±0.25	APPLICATION SPEC	SCALE	4:1
2 PLC	±0.13	WEIGHT	SHEET	4 OF 7
3 PLC	±0.10	MATERIAL	REV	A
4 PLC	±	FINISH	CUSTOMER DRAWING	
ANGLES	±			

LOC		DIST		REVISIONS			
#	LYR	DESCRIPTION	DATE	OWN	APVD		
-	-	SEE SHEET 1	-	-	-		

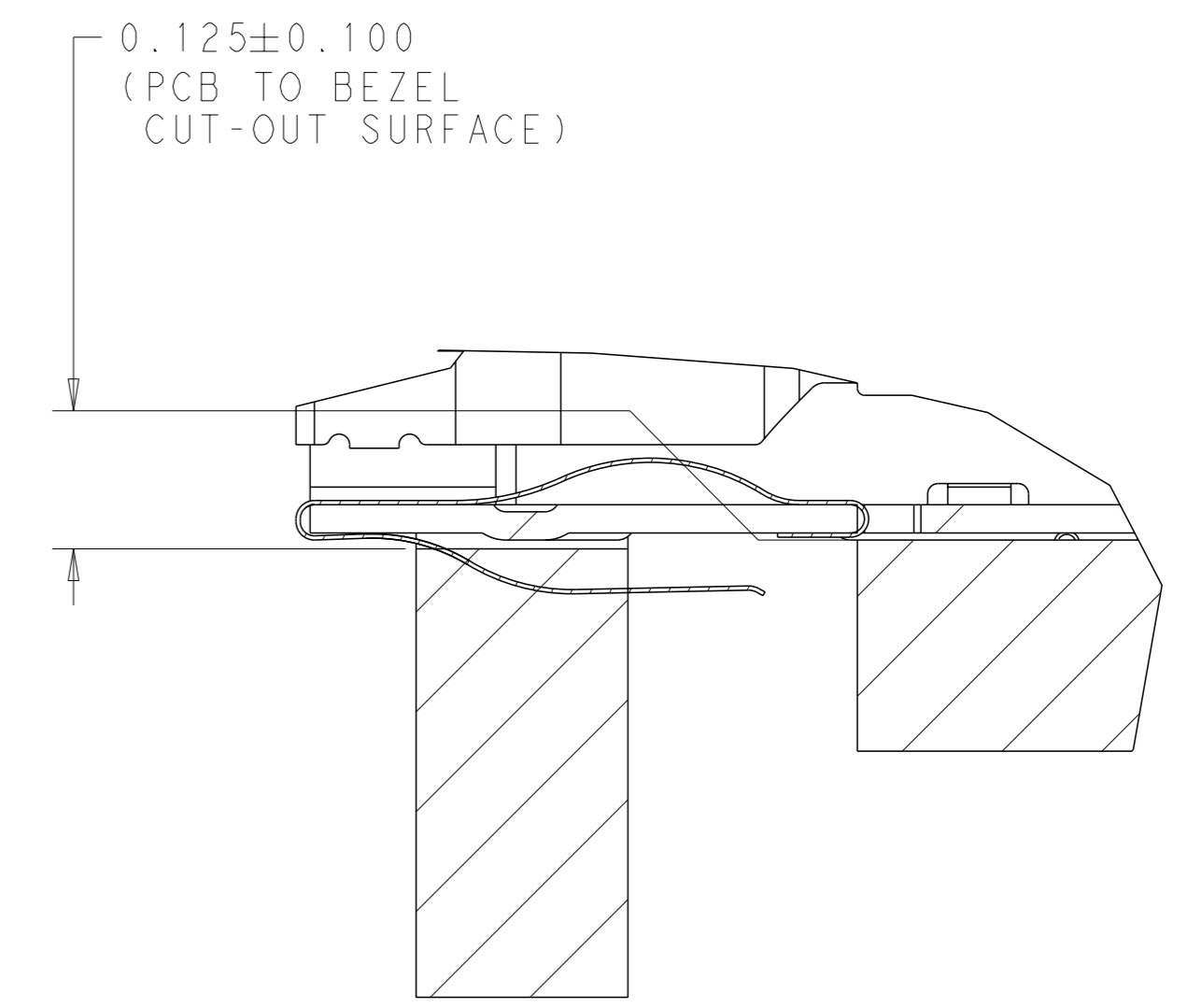
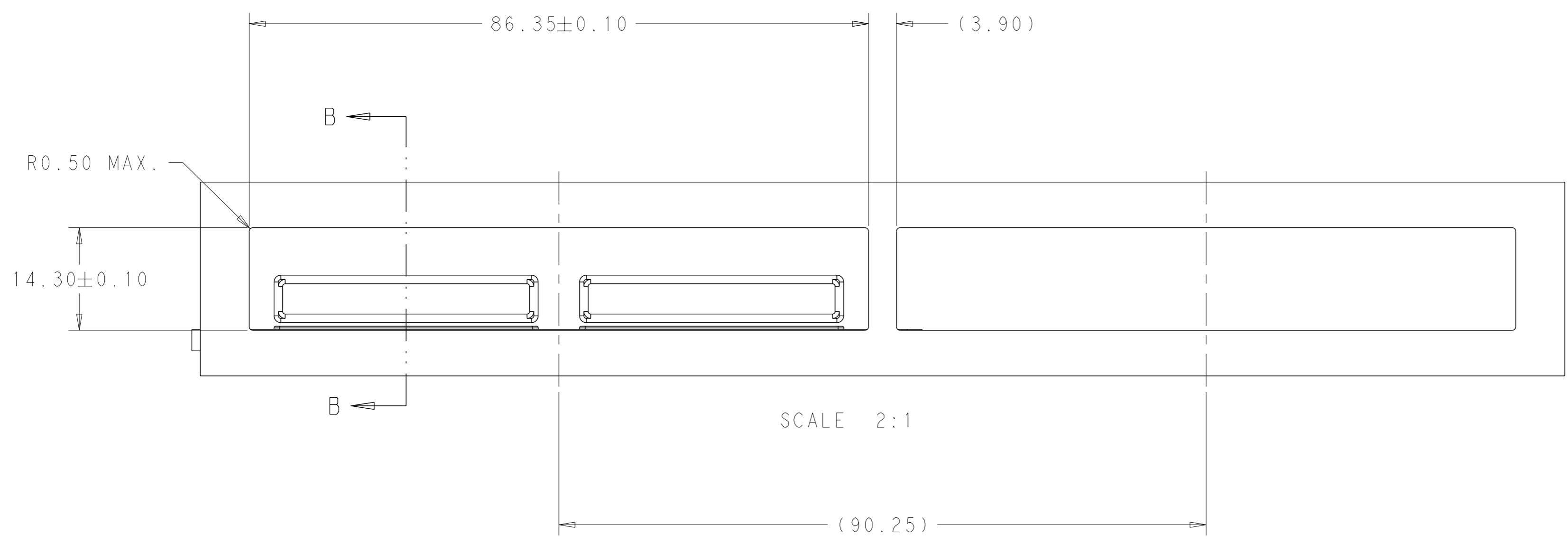


THIS DRAWING IS A CONTROLLED DOCUMENT.

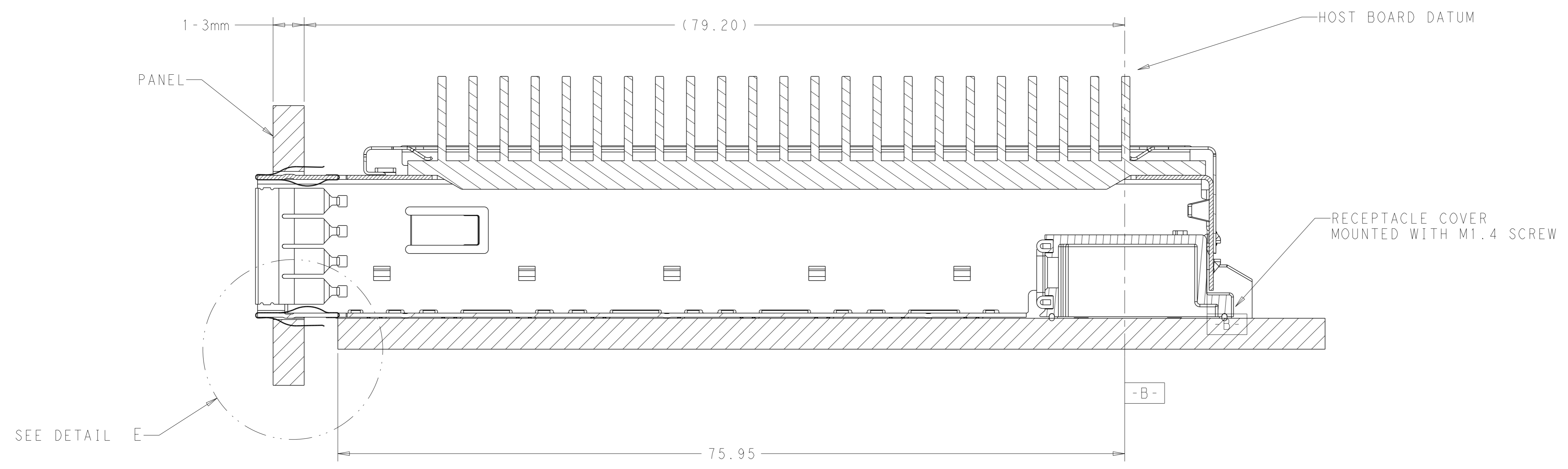
DIMENSIONS:	TOLERANCES UNLESS OTHERWISE SPECIFIED:	OWN: Charles Wan 31JAN2015	CHK: Sean Han 31JAN2015	APVD: Sean Han 31JAN2015	NAME: CFP2 HARDWARE AND RECEPTACLE ASSEMBLY, 1X2
mm	0 PLC ±	APVD: Sean Han 31JAN2015	PRODUCT SPEC	APPLICATION SPEC	SIZE: A1
	1 PLC ±0.10	WEIGHT			CAGE CODE: -
	2 PLC ±0.10	FINISH			DRAWING NO: C=2287075
	3 PLC ±0.10				RESTRICTED TO: -
	4 PLC ±				SCALE: 1:1
	ANGLES ±				SHEET 6 OF 7
					REV A

4805 (3/11)

LOC	DIST	REVISIONS			
GP	00	REV	DATE	OWN	APVD
-	-	SEE SHEET 1	-	-	-



DETAIL E
 SCALE 10:1



SECTION B-B
 SCALE 4:1

THIS DRAWING IS A CONTROLLED DOCUMENT.		OWN: Charles Wan 31JAN2015	TE Connectivity NAME: CFP2 HARDWARE AND RECEPTACLE ASSEMBLY, 1X2
DIMENSIONS: mm		CHK: Sean Han 31JAN2015	
TOLERANCES UNLESS OTHERWISE SPECIFIED:		APVD: Sean Han 31JAN2015	SIZE: A1
0 PLC ±	1 PLC ±0.25	PRODUCT SPEC	CAGE CODE: -
2 PLC ±0.13	3 PLC ±0.10	APPLICATION SPEC	DRAWING NO: ©=2287075
4 PLC ±	ANGLES ±*	FINISH	RESTRICTED TO: -
MATERIAL: -	WEIGHT: -	CUSTOMER DRAWING	SCALE: 1:1
			SHEET 7 OF 7
			REV A