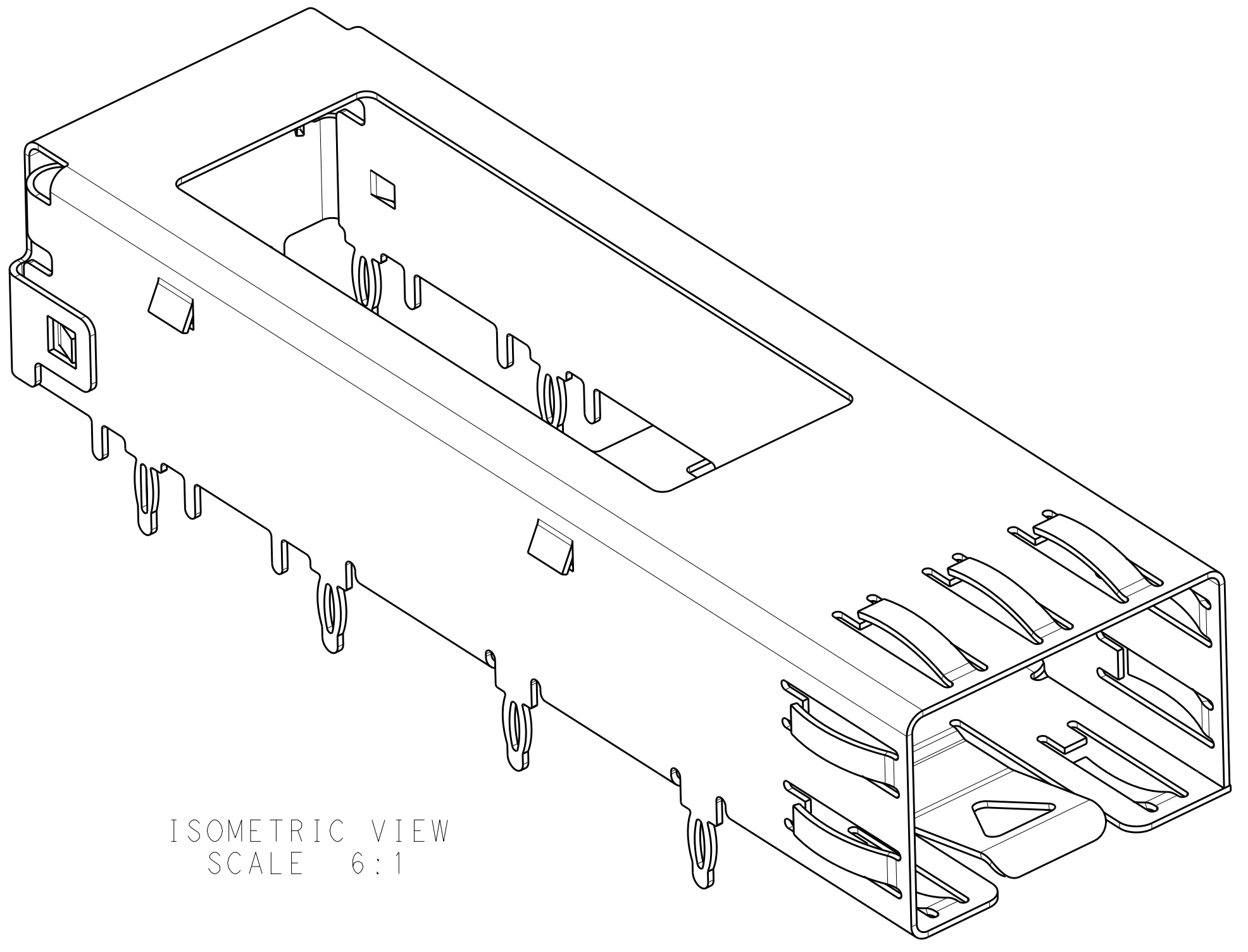
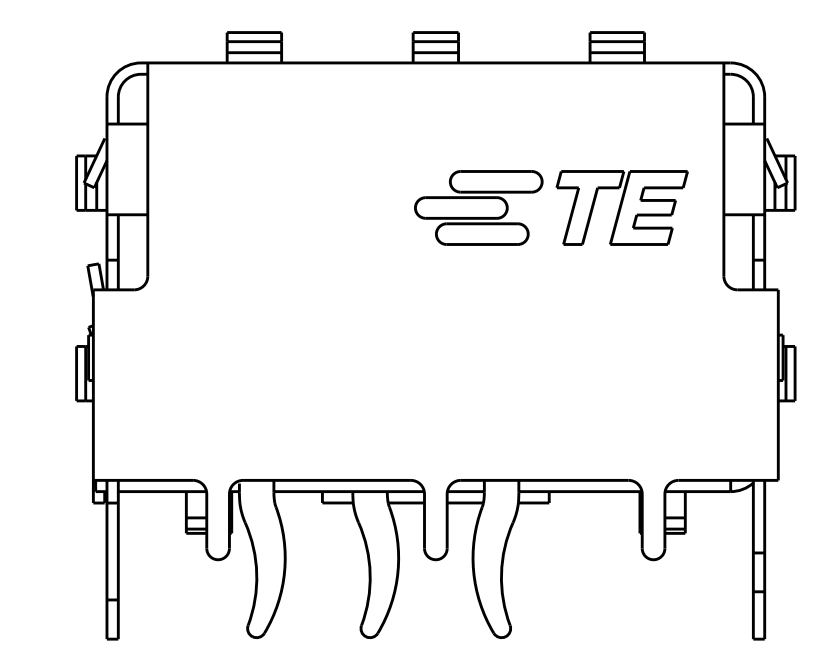
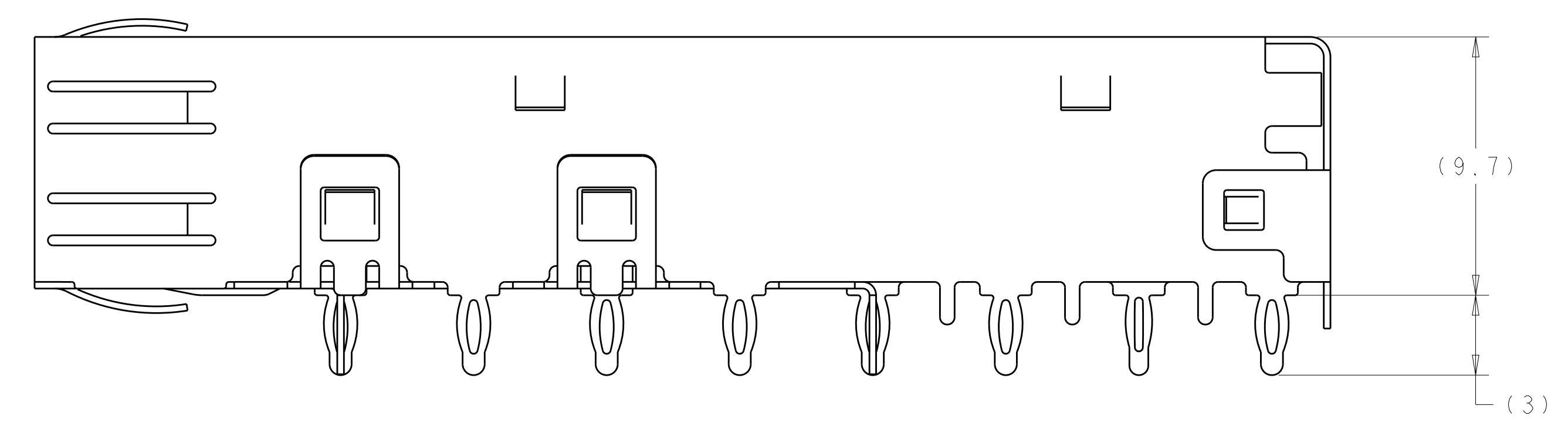
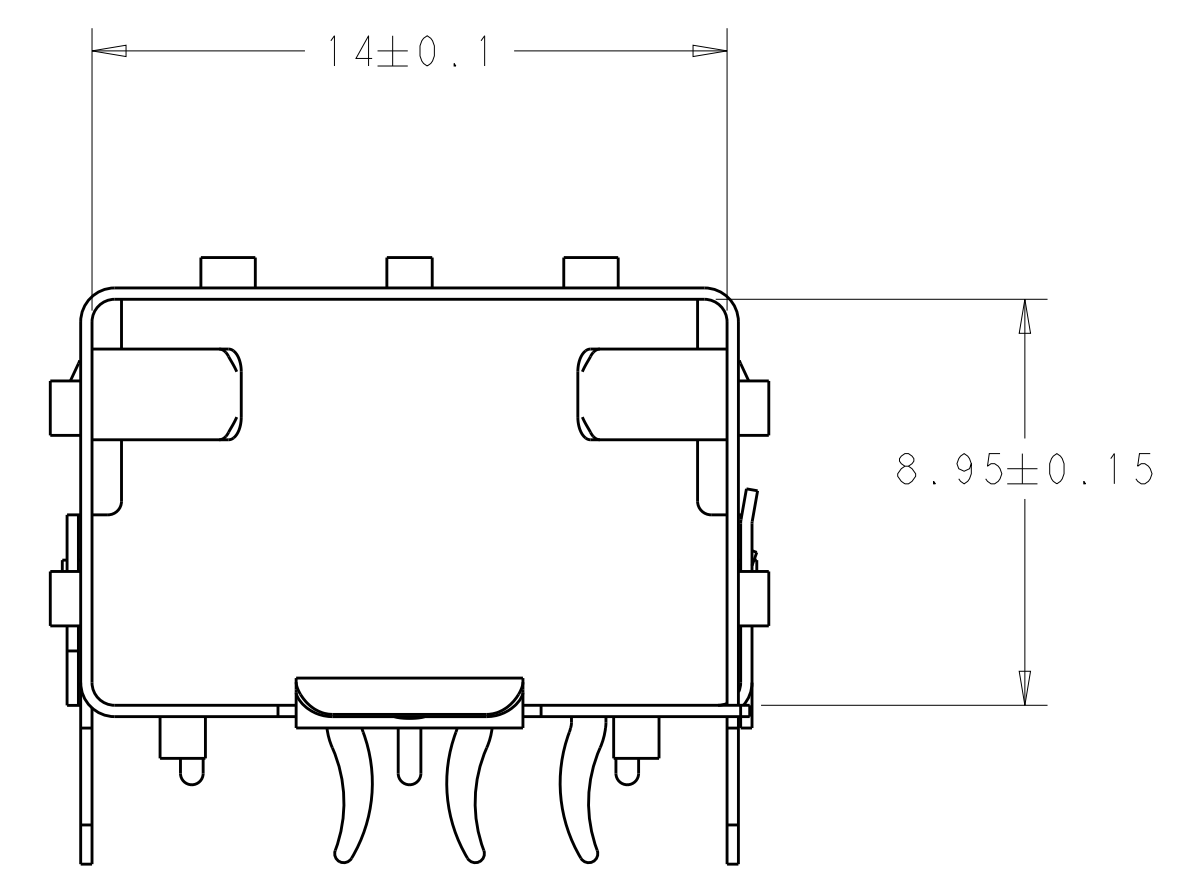
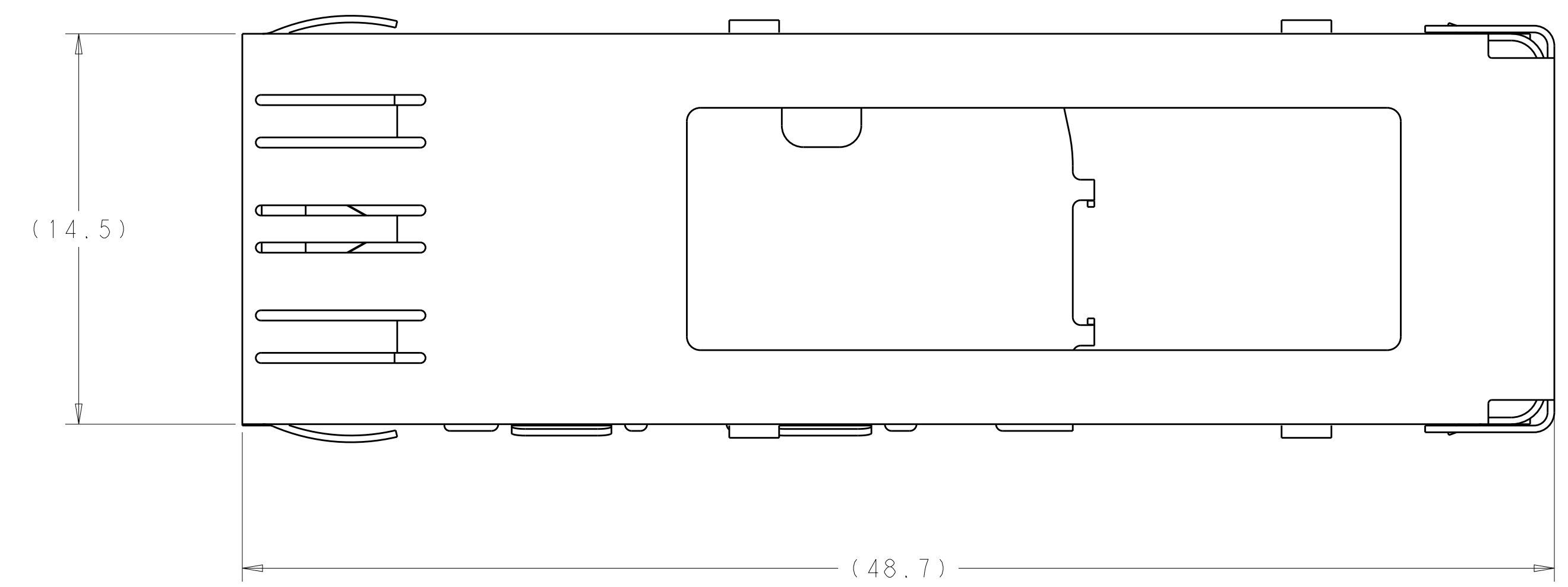


LOC	DIST	REVISIONS					
		P	LTN	DESCRIPTION	DATE	DWN	APVD
GP	00	A		INITIAL RELEASE	21MAY2014	CW	SH
		B		REVISED PER ECO-19-009018	12JUN2019	IT	SH



ISOMETRIC VIEW  
SCALE 6:1

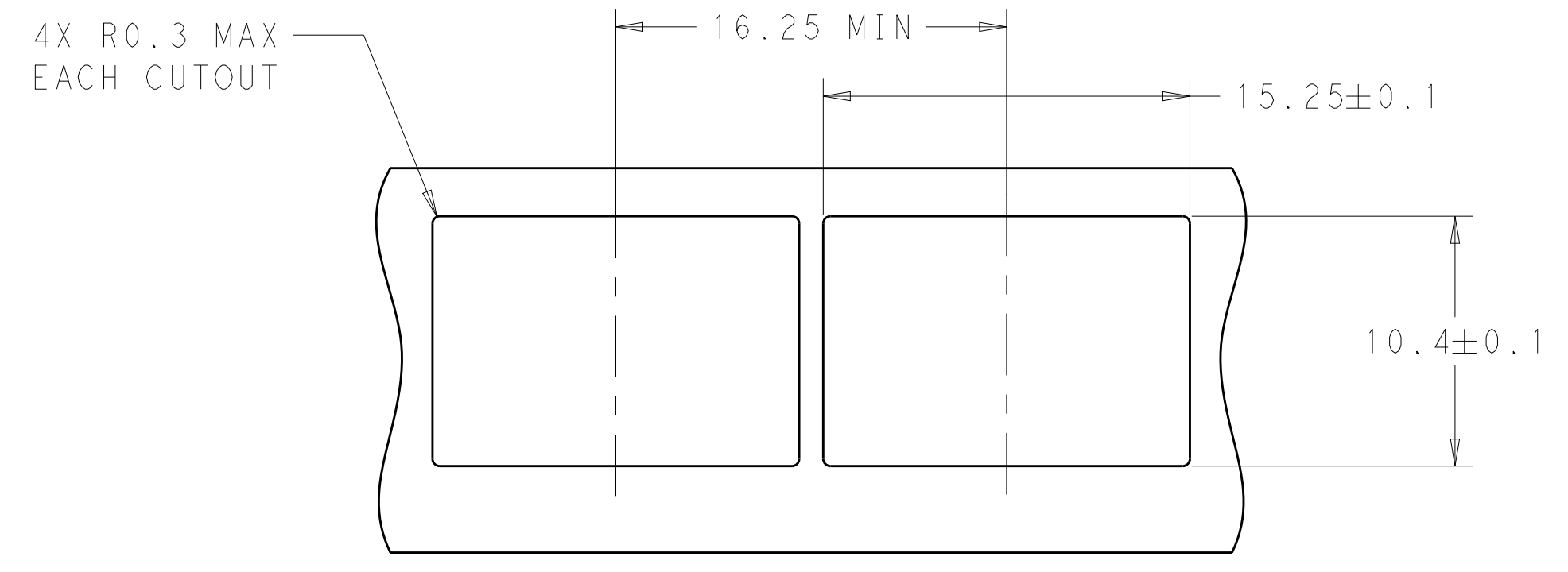
- △ MATERIAL: 0.25mm THICK STAINLESS STEEL.
- △ FINISH: NICKEL, NON PLATED EDGES PERMISSIBLE.
- 3. MATES WITH SFP MSA COMPLIANT TRANSCEIVERS.
- △ PADS AND VIAS CHASSIS GROUND.
- △ DATUM AND BASIC DIMENSION ESTABLISHED BY CUSTOMER.
- 6. MINIMUM PC BOARD THICKNESS:  
SINGLE SIDED = 1.50 mm  
DOUBLE SIDED = 3.00 mm
- △ REFERENCE APPLICATION SPEC. 114-13120, HOLE A, FOR RECOMMENDED DRILL HOLE DIAMETER AND PLATING THICKNESS(EXCEPT IMMERSION SILVER PLATING).
- △ REFERENCE APPLICATION SPEC. 114-13120, HOLE C, FOR RECOMMENDED DRILL HOLE DIAMETER AND PLATING THICKNESS(EXCEPT IMMERSION SILVER PLATING).
- 9. THE RECOMMENDED DIMENSIONS FOR HOLES ON PAGE 2/2 ARE NOT COMPATIBLE WITH IMMERSION SILVER PLATING HOLES BECAUSE OF OVERLARGE INSERTION FORCE.
- △10. WE ALWAYS SUGGEST CUSTOMER TO CHECK THE RISK OF INTERFERENCE BETWEEN CAGE LATCH AND BEZEL IN APPLICATION. WHEN DIM 'M' LESS THAN 1.7mm IN APPLICATION, WE RECOMMEND OPTIONAL BEZEL DESIGN PROPOSAL WITH GROOVE TO MAKE SURE CAGE LATCH MOVE FREELY DURING INSERT AND EXTRACT MODULE PROCESS.



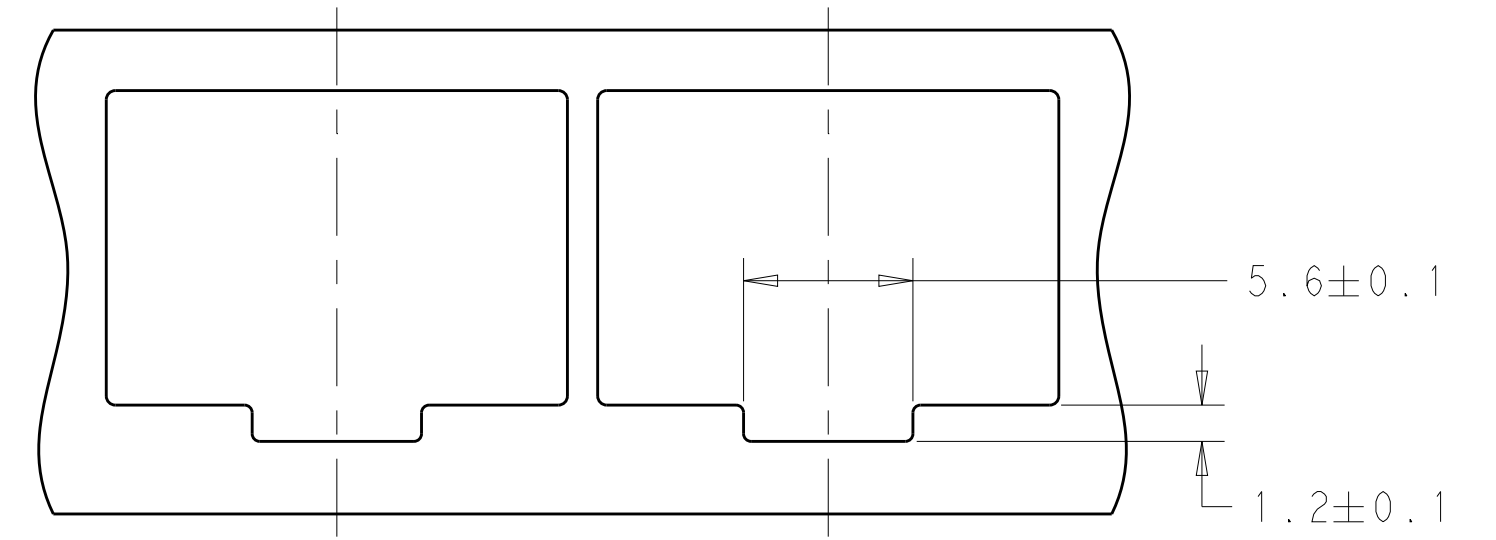
2227316-1  
PART NUMBER

THIS DRAWING IS A CONTROLLED DOCUMENT. DIMENSIONING AND TOLERANCING PER ASME Y14.5M-2009.		DWN C. VALENTINE 06NOV2012	TE Connectivity
DIMENSIONS: mm		CHK M. SCHMITT 06NOV2012	
TOLERANCES UNLESS OTHERWISE SPECIFIED:		APVD M. SCHMITT 06NOV2012	NAME SFP, 1X1 SINGLE PIECE CAGE, 11 PRESS FIT, HEAT SINK OPENING
0 PLC	±0.2	PRODUCT SPEC	108-1950
1 PLC	±0.1	APPLICATION SPEC	114-13120
2 PLC	±0.1	SIZE	A100779
3 PLC	±0.1	CAGE CODE	C=2227316
4 PLC	±0.1	DRAWING NO	Customer Drawing
ANGLES	±0.1	RESTRICTED TO	
MATERIAL		SCALE	6:1
FINISH		SHEET	1 OF 2
		REV	B

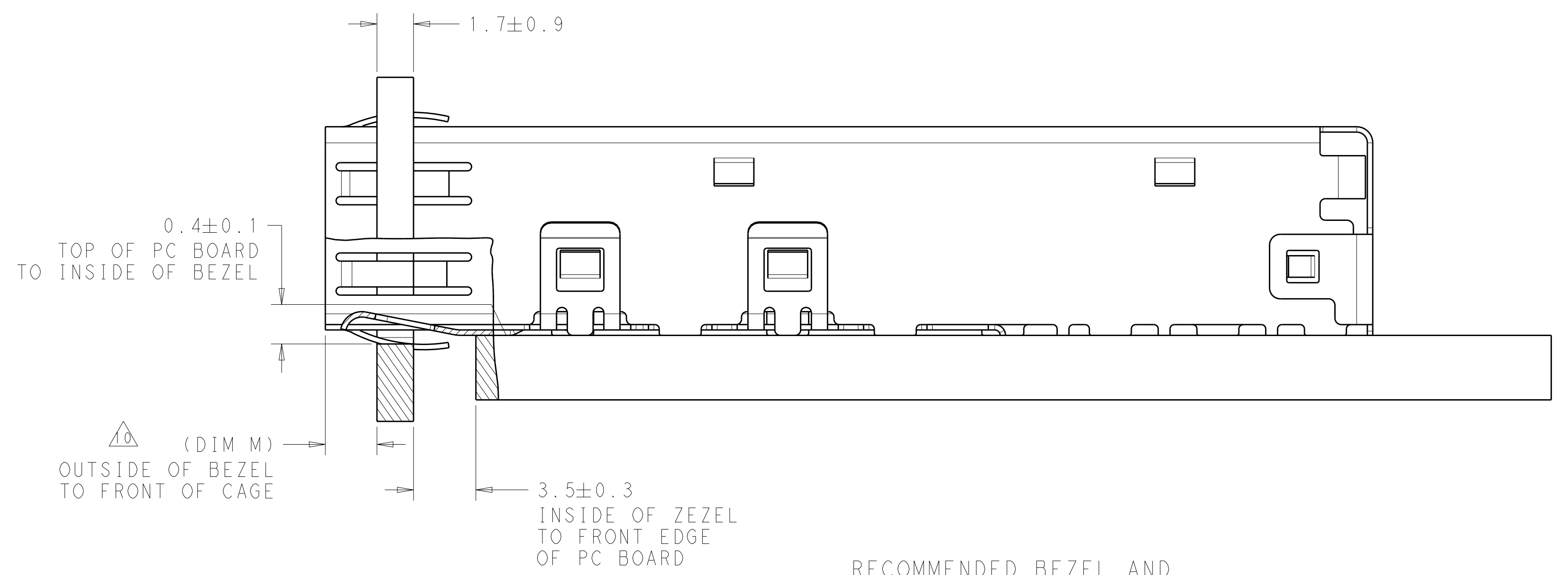
LOC		DIST		REVISIONS			
GP	00	P	LTN	DESCRIPTION	DATE	DWN	APVD
		-		SEE SHEET 1			



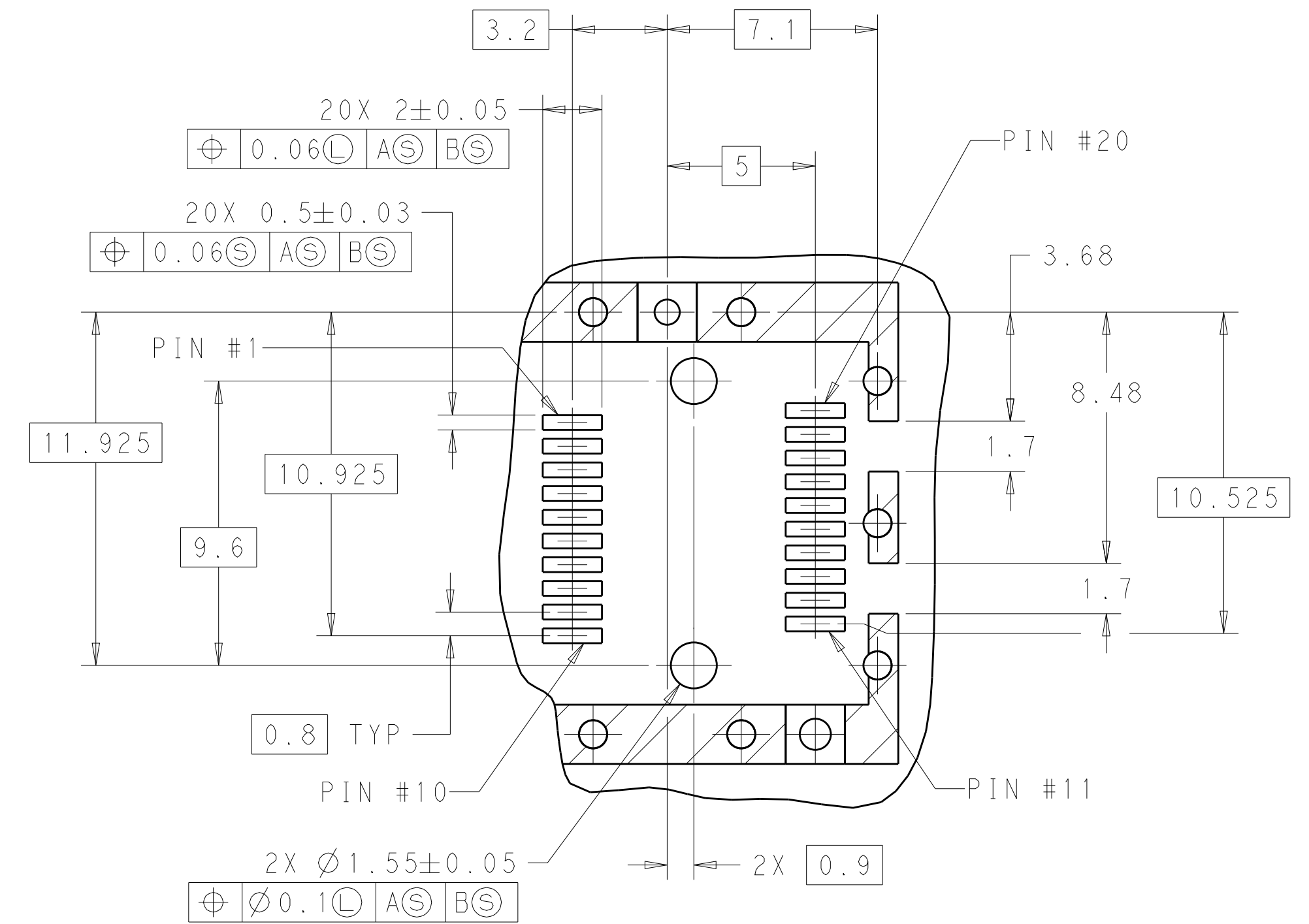
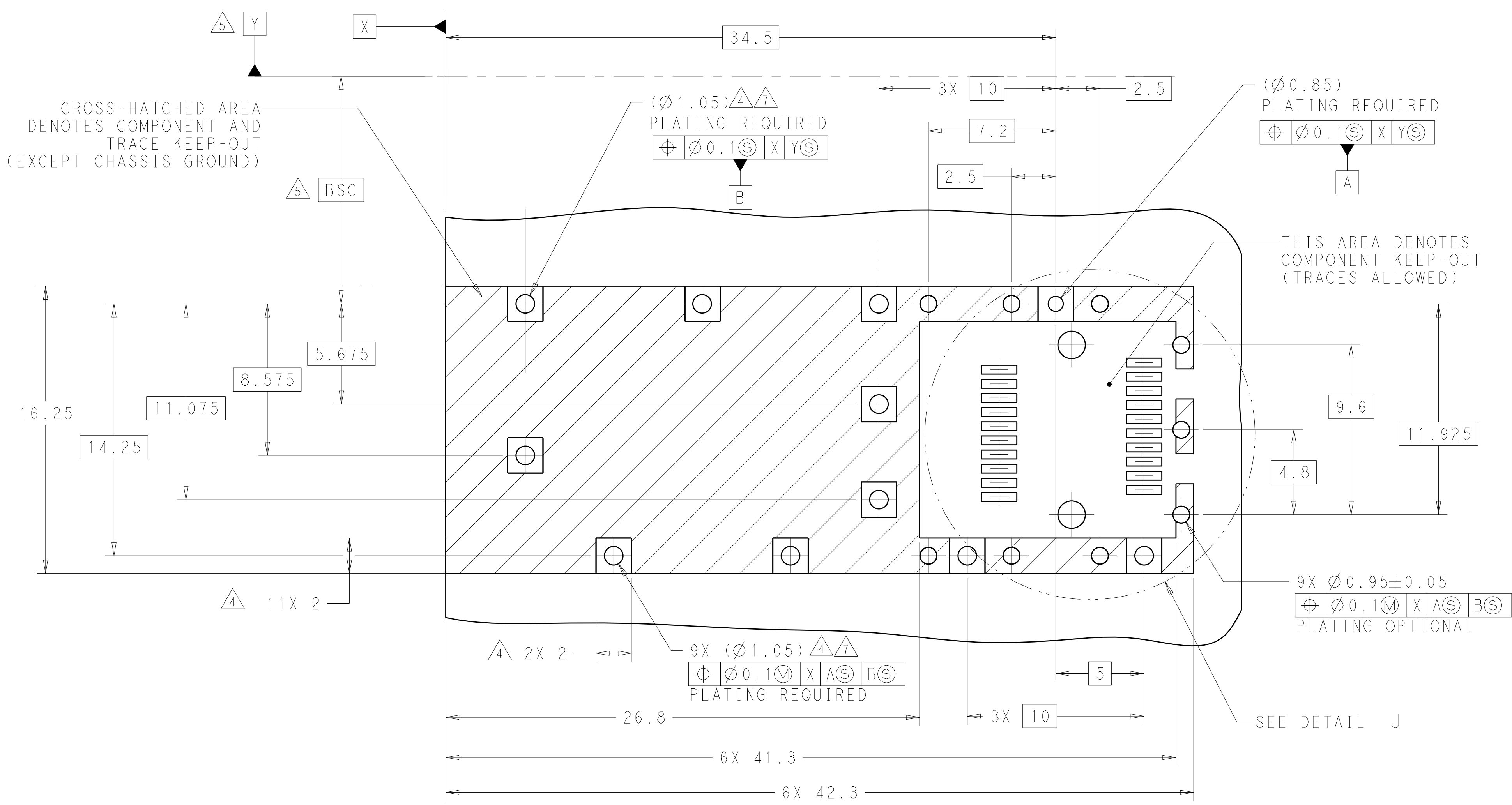
RECOMMENDED STANDARD BEZEL CUTOUT  
SCALE 4:1



RECOMMENDED OPTIONAL BEZEL CUTOUT  
UNMARKED DIMENSIONS SAME AS STANDARD BEZEL  
SCALE 4:1



RECOMMENDED BEZEL AND PC BOARD ORIENTATION  
SCALE 6:1



DETAIL J  
SCALE 6:1

THIS DRAWING IS A CONTROLLED DOCUMENT. DIMENSIONING AND TOLERANCING PER ASME Y14.5M-2009		DWN: C. VALENTINE 06NOV2012 CHK: M. SCHMITT 06NOV2012 APVD: M. SCHMITT 06NOV2012	TE Connectivity NAME: SFP, 1X1 SINGLE PIECE CAGE, 11 PRESS FIT, HEAT SINK OPENING SIZE: CAGE CODE DRAWING NO: 114-13120 WEIGHT: A100779C=2227316 Customer Drawing	RESTRICTED TO
DIMENSIONS: mm	TOLERANCES UNLESS OTHERWISE SPECIFIED:	PRODUCT SPEC: 108-1950 APPLICATION SPEC: 114-13120		SCALE: 6:1 SHEET 2 OF 2 REV B