

Business Unit: HARTING Electric

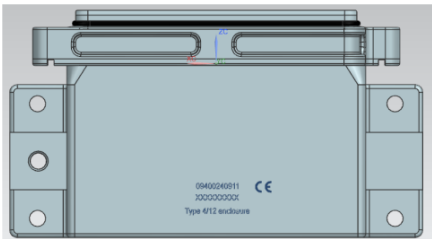
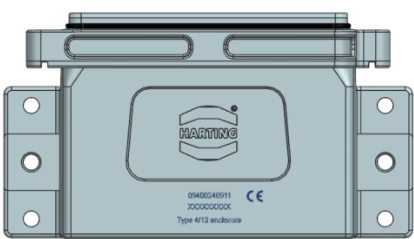
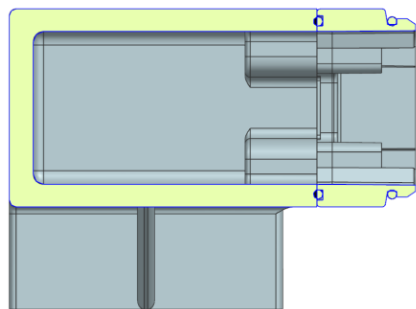
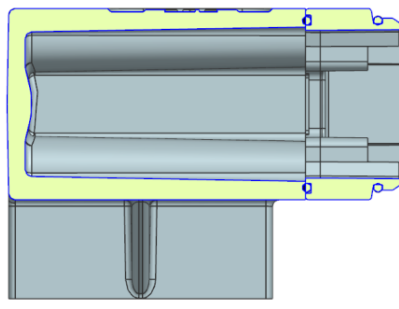
PCN/21/033/C+N-US
Product Range: Han HPR

Date: 11/25/2021

Title: Design Change Han 24HPR Surface Mounting Housings
Horizontal Version

Details of the Product Changes

| 1. Concerned Part Numbers | | | |
|---------------------------|----------------|----------------|-------------|
| 09400240911 | 19400240917 | 19400240941YYH | 19400240968 |
| 09400240911YYH | 19400240925 | 19400240953 | 19400240971 |
| 09400240931 | 19400240931 | 19400240953YYH | 19400240978 |
| 19400240914 | 19400240931YYH | 19400240954 | 19400240988 |
| 19400240914YYH | 19400240941 | 19400240967 | |

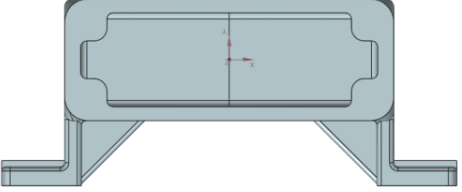
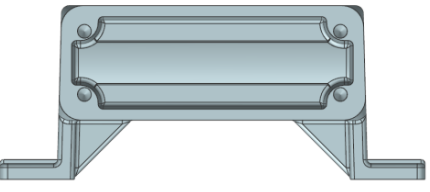
| 2. Description of Changes/News | | |
|---|--|---|
| Old Design | New Design | Description |
|  |  | <p>HARTING logo in new design.</p> <p>Added possibility for grounding connection on both sides of the new design.</p> |
|  |  | <p>Fastening ducts for the HPR bulkhead mounting housing go right through to the inner bottom at the new design.</p> |

In case of questions or concerns, please do not hesitate to contact our technical support.

Technical Support E-mail: TechSupportUS@HARTING.com

Technical Support Phone Number: 866-278-0306 (Select option 3 for technical support)

| | | |
|---|--|------------|
|  | HARTING Product Change Notification | PCN |
|---|--|------------|

| | | |
|---|--|---|
|  |  | <p>“Wave contour” on the inner bottom at the new design</p> |
|---|--|---|

| |
|---|
| 3. Impact on Product Specification |
| <p>The technical characteristics according to the datasheet and the quality characteristics are not affected.</p> |
| 4. Scheduled Date of Implementation |
| <p>This change will take place as of June 13th, 2022.</p> |
| 5. Identification of Change |
| <p>New revision level.</p> |
| 6. Datasheet |
| <p>For updated specifications and drawings, please check the eCatalogue.</p> |

In case of questions or concerns, please do not hesitate to contact our technical support.

Technical Support E-mail: TechSupportUS@HARTING.com

Technical Support Phone Number: 866-278-0306 (Select option 3 for technical support)