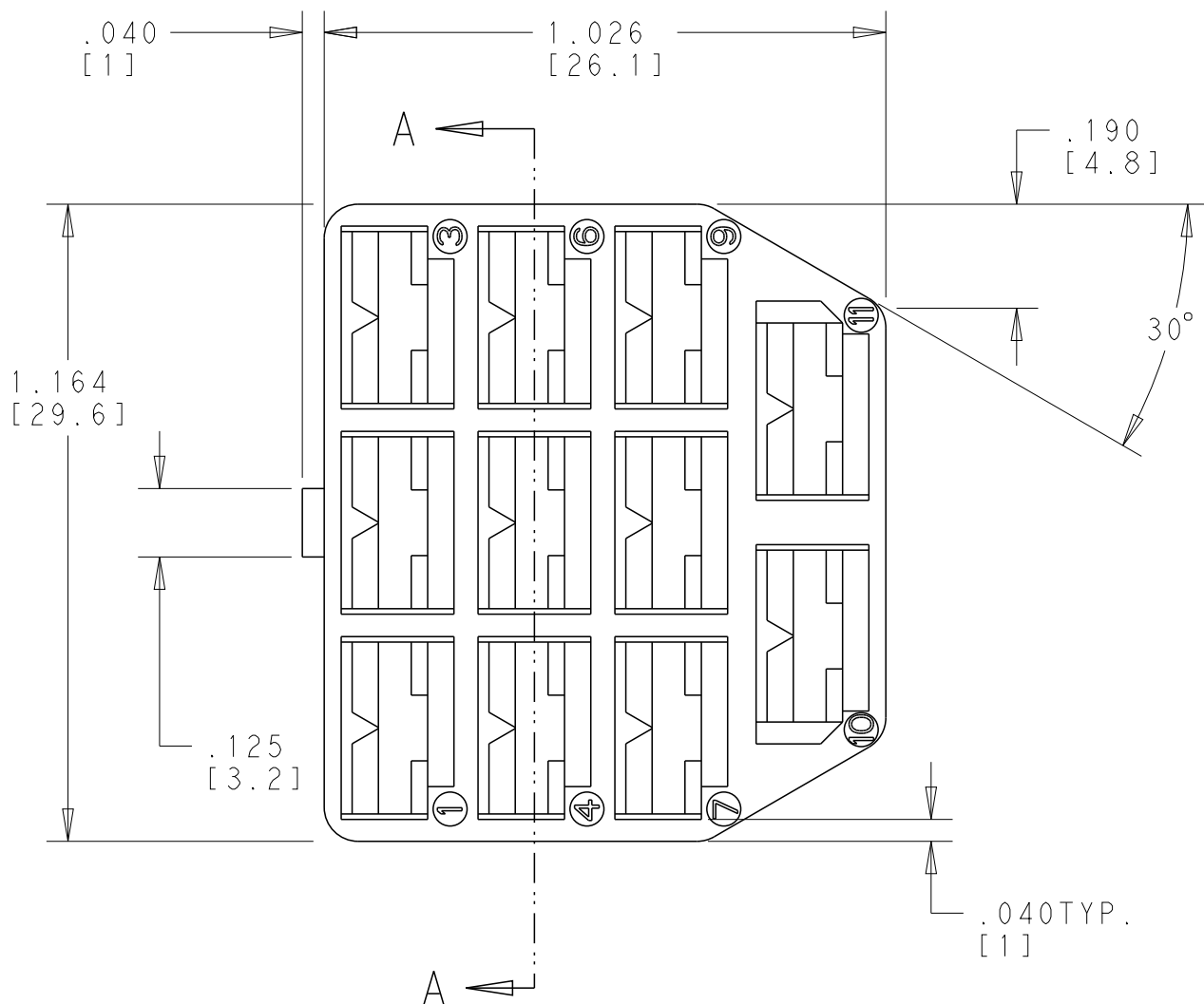


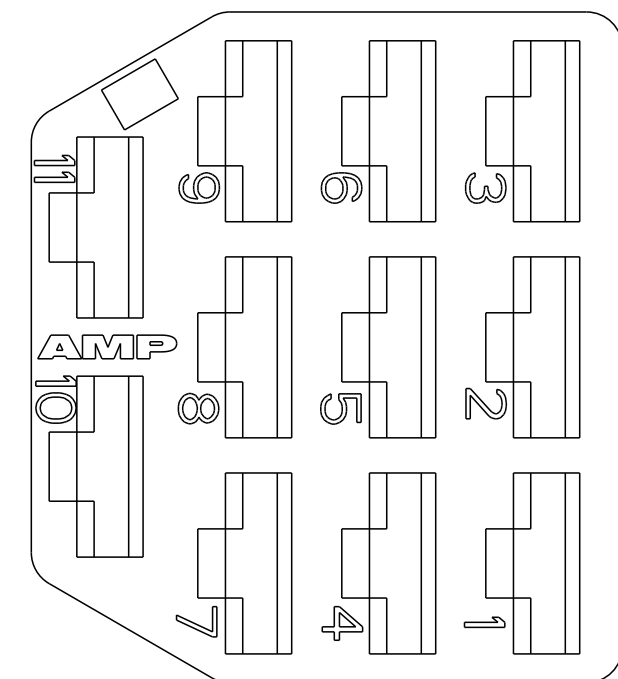
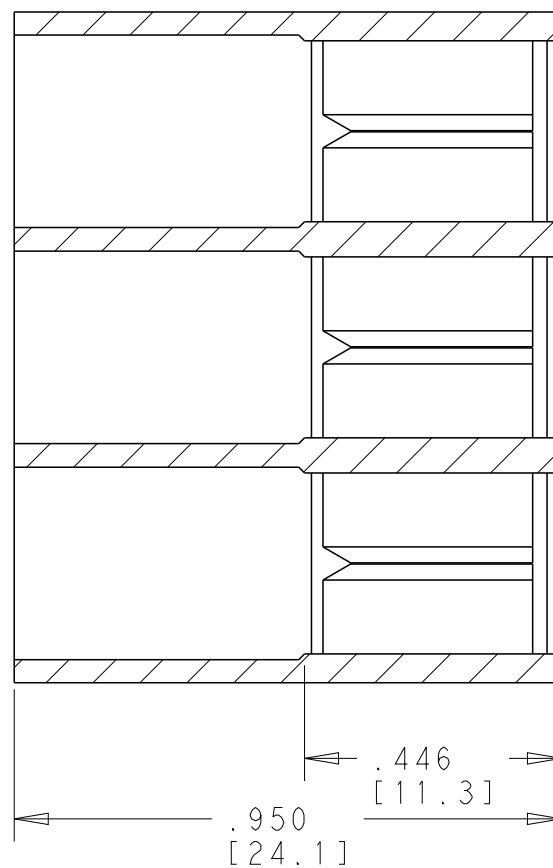
THIS DRAWING IS UNPUBLISHED. RELEASED FOR PUBLICATION 20
 © COPYRIGHT 20 BY - ALL RIGHTS RESERVED.

REVISIONS

P	LTR	DESCRIPTION	DATE	DWN	APVD
	B1	REDRAWN IN CAD	29JUL2013	PKS	RRP




SECTION A-A



OBSOLETE

151325-6	NYLON	YELLOW
151325-5	NYLON	RED
151325-4	NYLON	GREEN
151325-3	NYLON	BLUE
151325-2	NYLON	BLACK
151325-1	NYLON	NATURAL
PART NO.	MATERIAL	COLOUR

THIS DRAWING IS A CONTROLLED DOCUMENT.		DWN SENTHIL 23JUL2013	 TE Connectivity			
DIMENSIONS: inch		CHK RAJENDRA 29JUL2013			NAME 11 WAY FASTIN FASTON RECEPTACLE HOUSING	
TOLERANCES UNLESS OTHERWISE SPECIFIED:		APVD RAJENDRA 29JUL2013				
0 PLC ± 1 PLC ± 2 PLC ±.04 3 PLC ±.01 4 PLC ±.001 ANGLES ±1°		PRODUCT SPEC 108-20020	SIZE A3	CAGE CODE -	DRAWING NO C-151325	RESTRICTED TO -
MATERIAL SEE TABLE		APPLICATION SPEC 114-2025	SCALE 3:1		SHEET 1 OF 1	REV B1
FINISH SEE TABLE		WEIGHT -	Customer Drawing			