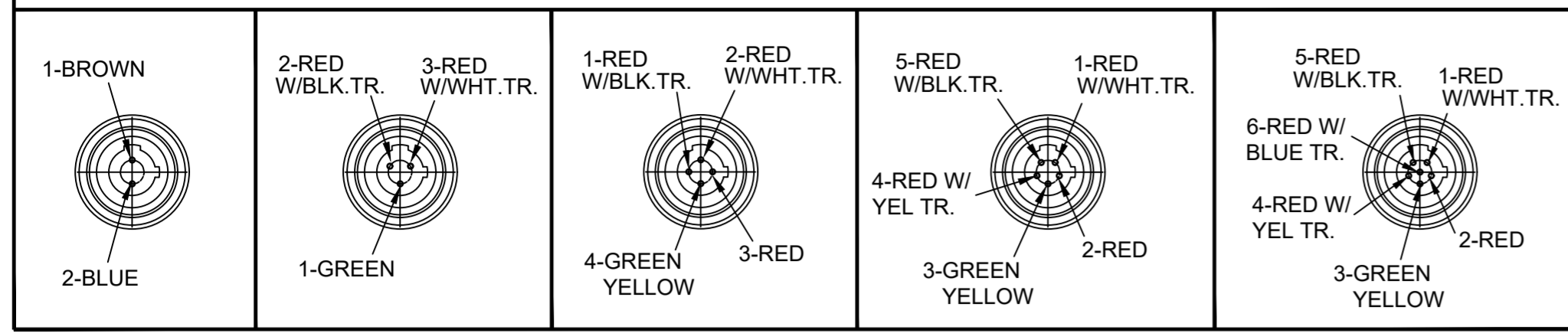
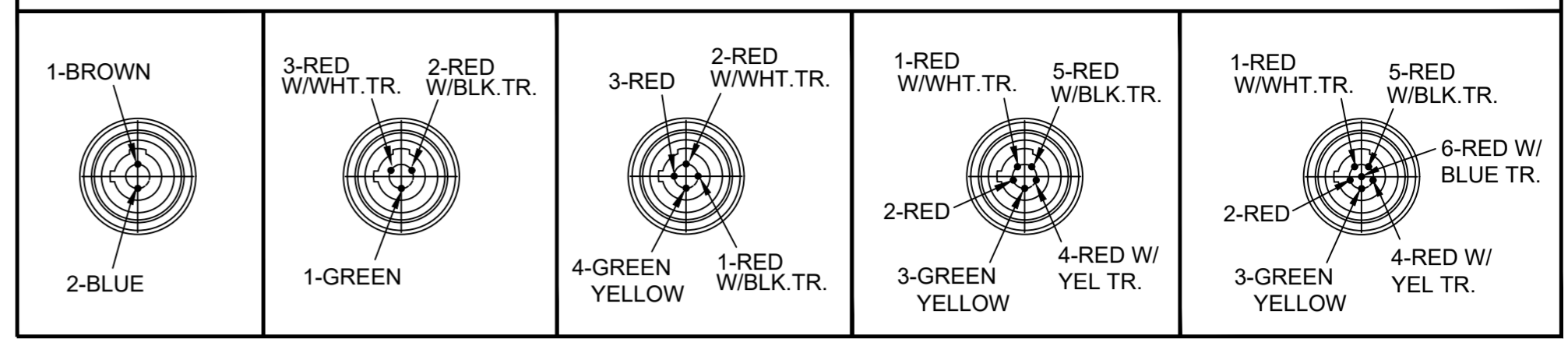


FRONT VIEW - FEMALE INSERT WIRING COLOR CODE

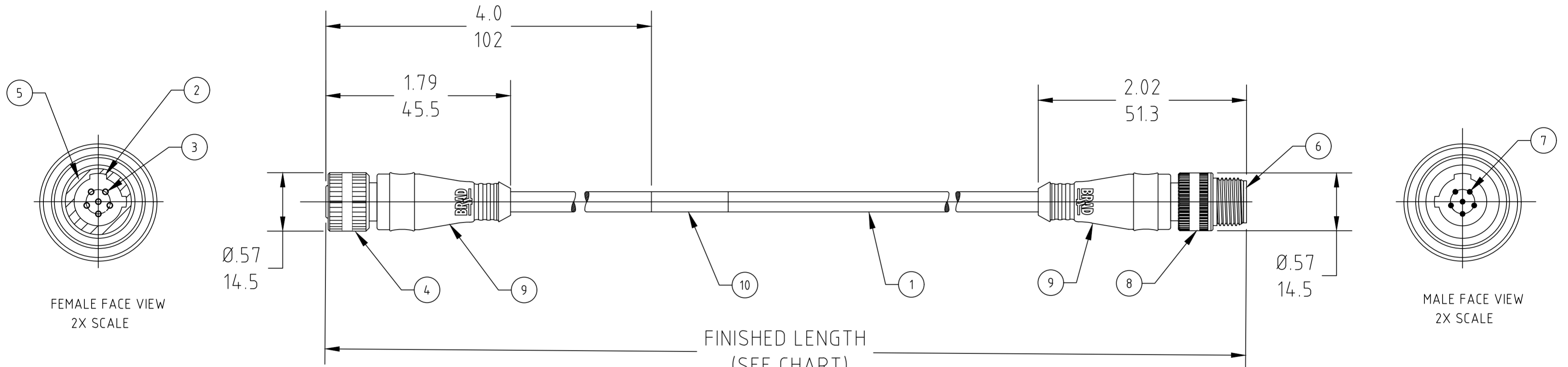


2 POLE 3 POLE 4 POLE 5 POLE 6 POLE

FRONT VIEW - MALE INSERT WIRING COLOR CODE



2 POLE 3 POLE 4 POLE 5 POLE 6 POLE



FEMALE FACE VIEW  
2X SCALE

MALE FACE VIEW  
2X SCALE

FINISHED LENGTH  
(SEE CHART)  
TOLERANCED OR NOTED OTHERWISE

- NOTES:**
1. MATERIAL: AS NOTED
  2. FINISH: AS NOTED
  3. ELECTRICAL:  
VOLTAGE: 250V  
CURRENT: 4A
  4. TEMP RATING: -25°C TO +105°C
  5. PROTECTION: IP67 (WHEN MATED)
  6. COUPLING THREAD: 1/2-20
  7. UL LISTED FILE: E152210  
CSA CERTIFIED FILE: LR6837
  8. ALL DIMS ARE FOR REFERENCE UNLESS

PART NUMBER LEGEND

7730030D02F030

POLE COUNT →

FINISHED LENGTH:  
F010= 1.0 FEET  
F100= 10.0 FEET  
M005= 0.5 METER  
M010= 1.0 METER  
M100= 10. METER

| PART NO.   | POLES | ENGINEERING NO. | FINISHED LENGTH | CABLE DIA. |
|------------|-------|-----------------|-----------------|------------|
| 1200730057 | 2     | 772030D02F030   | 3.0 FT [0.9M]   | .20 [5.1]  |
| 1200730102 | 3     | 773030D02F060   | 6.0 FT [1.8M]   | .23 [5.7]  |
| 1200730223 | 4     | 774030D02F120   | 12 FT [3.7M]    | .22 [5.6]  |
| 1200730300 | 5     | 775030D02F200   | 20 FT [6.1M]    | .24 [6.1]  |
| 1200730371 | 6     | 776030D02F300   | 30 FT [9.1M]    | .25 [6.4]  |

**CABLE LENGTH TOLERANCES**

|                          |                         |
|--------------------------|-------------------------|
| >.3M [1FT]:              | +19mm-0 [+ .75in-0]     |
| .3 - .9M [1 - 3FT]:      | +44.5mm-0 [+1.75in-0]   |
| .9 - 1.8M [3 - 6FT]:     | +55.6mm-0 [+2.19in-0]   |
| 1.8 - 3.7M [6 - 12FT]:   | +88.9mm-0 [+3.50in-0]   |
| 3.7 - 7.3M [12 - 24FT]:  | +165.1mm-0 [+6.50in-0]  |
| 7.3-14.6M [24 - 48FT]:   | +317.5mm-0 [+12.50in-0] |
| 14.6 - 30.5M [48-100FT]: | +622.3mm-0 [+24.50in-0] |
| OVER 30M [100FT]         | +2% OF FINISHED LENGTH  |

| ITEM | DESCRIPTION            | MATERIAL      | FINISH       |
|------|------------------------|---------------|--------------|
| 10   | FLAG LABEL             | VINYL         | BLACK/YELLOW |
| 9    | OVERMOLDS              | TPC           | YELLOW       |
| 8    | COUPLING, MALE         | ZINC DIE-CAST | BLACK        |
| 7    | CONTACT PIN            | COPPER ALLOY  | GOLD PLATED  |
| 6    | MALE INSERT            | NYLON         | BLACK        |
| 5    | O-RING                 | VITON         | RED          |
| 4    | COUPLING, FEMALE       | ZINC DIE-CAST | BLACK        |
| 3    | CONTACT SOCKET         | COPPER ALLOY  | GOLD PLATED  |
| 2    | FEMALE INSERT          | NYLON         | BLACK        |
| 1    | CABLE, 22AWG, SHIELDED | TPE JACKET    | BLACK        |

|                 |   |                |   |                              |
|-----------------|---|----------------|---|------------------------------|
| SYMBOLS         | THIS DRAWING CONTAINS INFORMATION THAT IS PROPRIETARY TO MOLEX ELECTRONIC TECHNOLOGIES, LLC AND SHOULD NOT BE USED WITHOUT WRITTEN PERMISSION |                | CURRENT REV DESC: UPDATED DOC PER LATEST DOC STD. |                              |
|                 | DIMENSION UNITS   | SCALE          |   |                              |
| ▽ = 0           | INCH/MM   | 1:1            |   |                              |
| ▽ = 0           | GENERAL TOLERANCES (UNLESS SPECIFIED)   |                | EC NO: 624117                                     |                              |
| ▽ = 0           |   | mm             | INCH  | DRWN: RSTONE 2019/09/12      |
| ▽ = 0           | 4 PLACES  | ±----          | ±----   | CHK'D: MZIELINSKI 2019/09/19 |
| ▽ = 0           | 3 PLACES  | ±----          | ±----   | APPR: BWOODMAN 2019/10/03    |
| ▽ = 0           | 2 PLACES  | ±----          | ±0.01   | INITIAL REVISION:            |
| ▽ = 0           | 1 PLACE   | ±0.3           | ±----   | DRWN: LSTEMMLE 2010/02/08    |
| ▽ = 0           | 0 PLACES  | ±----          | ±----   | APPR: FPACHER 2010/02/10     |
| ▽ = 0           | ANGULAR TOL ± ---- °  |                | THIRD ANGLE PROJECTION                            |                              |
| ▽ = 0           | DRAFT WHERE APPLICABLE MUST REMAIN WITHIN DIMENSIONS  |                | DRAWING   | SERIES                       |
| ▽ = 0           |   |                | C-SIZE  | 120073                       |
| DOCUMENT STATUS |   | P1             | RELEASE DATE                                      | 2019/10/03 19:14:56          |
| DOCUMENT NUMBER |   | DOC TYPE       |   | DOC PART                     |
| SD-120073-001   |   | PSD            | 001   | A                            |
| MATERIAL NUMBER |   | CUSTOMER       |   | SHEET NUMBER                 |
|                 |   | GENERAL MARKET |   | 1 OF 1                       |