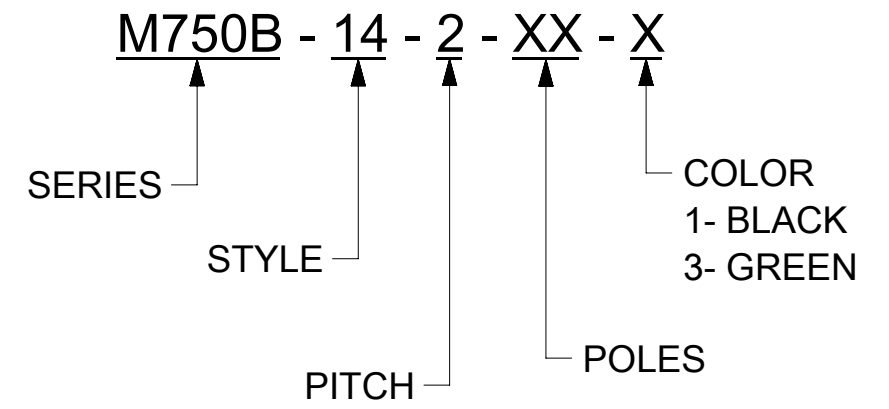


ENGINEERING NUMBER LEGEND



CONTACT FACTORY FOR OPTIONAL COLORS

SPECIFICATIONS:

- MATERIAL:
  - A. SCREW: M2.5 STEEL, ZINC PLATED
  - B. BODY : PA66, UL94 V-0
  - C. BLOCK: BRASS, NI PLATED
  - D. COVER: PA66, UL94 V-0
  - E. CONTACT : COPPER ALLOY
  - F. MTG. SCREW: M2.5 STEEL, ZINC PLATED
- WIRE SIZE: 30 TO 12AWG
- ELECTRICAL RATING : 300V, 18A
- MAX TORQUE : 5.0LBF. IN
- WIRE STRIP LENGTH: .24 IN. (6.00mm)
- OPERATING TEMPERATURE:-40°C TO +115°C

| TOLERANCES |       |            |       |
|------------|-------|------------|-------|
| MM         | TOL   | INCH       | TOL   |
| 0-6        | ±0.25 | 0-.24      | ±.010 |
| >6-30      | ±0.40 | >.24-1.18  | ±.016 |
| >30-120    | ±0.50 | >1.18-4.76 | ±.020 |
| >120       | ±0.80 | >4.76      | ±.031 |


|  |   |                            |                        |  |                 |                          |   |          |  |
|--|---|----------------------------|------------------------|--|-----------------|--------------------------|---|----------|--|
| FUNCTIONAL SYMBOLS                                   | THIS DRAWING CONTAINS INFORMATION THAT IS PROPRIETARY TO MOLEX ELECTRONIC TECHNOLOGIES, LLC AND SHOULD NOT BE USED WITHOUT WRITTEN PERMISSION |                            |                        | CURRENT REV DESC: ADDED PART NUMBER<br>397141008 |                 |                          | <b>molex</b>  |          |  |
|  | FA = 0  | DIMENSION UNITS: INCH/MM   | SCALE: 3:1             |  |                 |                          |   |          |  |
| DIVISIONAL SYMBOLS                                   | GENERAL TOLERANCES (UNLESS SPECIFIED)   |                            |                        | EC NO: 735886                                    |                 |                          | TERMINAL PLUG 5.08MM<br>45 DEGREE WIRE ENTRY WITH MOUNTING ENDS |          |  |
|  | FC = 0  | 4 PLACES ± --- ± ---       | MM INCH                | DRWN: ABENJAMINLW                                | 2023/01/19      | PRODUCT CUSTOMER DRAWING |   |          |  |
| DIVISIONAL SYMBOLS                                   | FP = 0  | 3 PLACES ± --- ± SEE CHART | DRWN: RSTONE           | 2014/04/11                                       | DOCUMENT NUMBER | DOC TYPE                 | DOC PART  | REVISION |  |
|  | 2 PLACES ± SEE CHART ± SEE CHART  | DRWN: JFMURPHY             | 2023/03/10             | SD-39714-001                                     | PSD             | 001                      | A3  |          |  |
|  | 1 PLACE ± CHART ± ---   | APPR: JFMURPHY             | 2023/03/24             | INITIAL REVISION:                                | MATERIAL NUMBER | CUSTOMER                 | SHEET NUMBER  |          |  |
|  | 0 PLACES ± --- ± ---  | APPR: JFMURPHY             | 2023/03/24             | DRWN: RSTONE                                     | 2014/10/16      | SEE SHEET-2              | GENERAL MARKET  | 1 OF 2   |  |
| DRAFT WHERE APPLICABLE MUST REMAIN WITHIN DIMENSIONS |   |                            | THIRD ANGLE PROJECTION | DRAWING  | SERIES          |                          |   |          |  |
|  |   |                            | C-SIZE                 | 39714  |                 |                          |   |          |  |

| PART NUMBER DATA |             |                    |       |          |       |          |       |          |        |
|------------------|-------------|--------------------|-------|----------|-------|----------|-------|----------|--------|
| CIRCUITS         | PART NUMBER | ENGINEERING NUMBER | COLOR | DIM. "A" |       | DIM. "B" |       | DIM. "C" |        |
|                  |             |                    |       | IN       | mm    | IN       | mm    | IN       | mm     |
| 2                | 397140002   | M750B-14-2-02-3    | GREEN | .80      | 20.3  | .200     | 5.08  | .600     | 15.24  |
| 3                | 397140003   | M750B-14-2-03-3    | GREEN | 1.00     | 25.4  | .400     | 10.16 | .800     | 20.32  |
| 4                | 397140004   | M750B-14-2-04-3    | GREEN | 1.20     | 30.5  | .600     | 15.24 | 1.000    | 25.40  |
| 5                | 397140005   | M750B-14-2-05-3    | GREEN | 1.40     | 35.6  | .800     | 20.32 | 1.200    | 30.48  |
| 6                | 397140006   | M750B-14-2-06-3    | GREEN | 1.60     | 40.6  | 1.000    | 25.40 | 1.400    | 35.56  |
| 7                | 397140007   | M750B-14-2-07-3    | GREEN | 1.80     | 45.7  | 1.200    | 30.48 | 1.600    | 40.64  |
| 8                | 397140008   | M750B-14-2-08-3    | GREEN | 2.00     | 50.8  | 1.400    | 35.56 | 1.800    | 45.72  |
| 8                | 397141008   | M750B-14-2-08-1    | BLACK | 2.00     | 50.8  | 1.400    | 35.56 | 1.800    | 45.72  |
| 9                | 397140009   | M750B-14-2-09-3    | GREEN | 2.20     | 55.9  | 1.600    | 40.64 | 2.000    | 50.80  |
| 10               | 397140010   | M750B-14-2-10-3    | GREEN | 2.40     | 61.0  | 1.800    | 45.72 | 2.200    | 55.88  |
| 11               | 397140011   | M750B-14-2-11-3    | GREEN | 2.60     | 66.0  | 2.000    | 50.80 | 2.400    | 60.96  |
| 12               | 397140012   | M750B-14-2-12-3    | GREEN | 2.80     | 71.1  | 2.200    | 55.88 | 2.600    | 66.04  |
| 13               |             | M750B-14-2-13-3    | GREEN | 3.00     | 76.2  | 2.400    | 60.96 | 2.800    | 71.12  |
| 14               |             | M750B-14-2-14-3    | GREEN | 3.20     | 81.3  | 2.600    | 66.04 | 3.000    | 76.20  |
| 15               |             | M750B-14-2-15-3    | GREEN | 3.40     | 86.4  | 2.800    | 71.12 | 3.200    | 81.28  |
| 16               |             | M750B-14-2-16-3    | GREEN | 3.60     | 91.4  | 3.000    | 76.20 | 3.400    | 86.36  |
| 17               | 397140017   | M750B-14-2-17-3    | GREEN | 3.80     | 96.5  | 3.200    | 81.28 | 3.600    | 91.44  |
| 18               | 397140018   | M750B-14-2-18-3    | GREEN | 4.00     | 101.6 | 3.400    | 86.36 | 3.800    | 96.52  |
| 19               |             | M750B-14-2-19-3    | GREEN | 4.20     | 106.7 | 3.600    | 91.44 | 4.000    | 101.60 |
| 20               |             | M750B-14-2-20-3    | GREEN | 4.40     | 111.8 | 3.800    | 96.52 | 4.200    | 106.68 |

A3

REF. LAST 2 DIGITS OF PART NUMBER EQUALS CIRCUIT COUNT

| TOLERANCES |       |            |       |
|------------|-------|------------|-------|
| MM         | TOL   | INCH       | TOL   |
| 0-6        | ±0.25 | 0-.24      | ±.010 |
| >6-30      | ±0.40 | >.24-1.18  | ±.016 |
| >30-120    | ±0.50 | >1.18-4.76 | ±.020 |
| >120       | ±0.80 | >4.76      | ±.031 |

|  |   |   |   |
|--|---|---|---|
| FUNCTIONAL SYMBOLS<br>FA = 0<br>FC = 0<br>FP = 0     | THIS DRAWING CONTAINS INFORMATION THAT IS PROPRIETARY TO MOLEX ELECTRONIC TECHNOLOGIES, LLC AND SHOULD NOT BE USED WITHOUT WRITTEN PERMISSION |   |   |
|  | DIMENSION UNITS<br><b>INCH/MM</b>   | SCALE<br><b>1:1</b>   | CURRENT REV DESC: ADDED PART NUMBER<br>397141008  |
| DIVISIONAL SYMBOLS                                   | GENERAL TOLERANCES (UNLESS SPECIFIED)   |   | EC NO: 735886<br>DRWN: ABENJAMINLW 2023/01/19<br>CHK'D: DACHAMMER 2023/03/10<br>APPR: JFMURPHY 2023/03/24 |
|  | 4 PLACES ± --- ± ---  | MM INCH   |   |
|  | 3 PLACES ± --- ± SEE CHART  |   | INITIAL REVISION:   |
|  | 2 PLACES ± SEE CHART ± SEE CHART  |   | DRWN: RSTONE 2014/04/11<br>APPR: JFMURPHY 2014/10/16  |
|  | 1 PLACE ± CHART ± ---   |   |   |
|  | 0 PLACES ± --- ± ---  |   |   |
|  | ANGULAR TOL ± ---   |   |   |
| DRAFT WHERE APPLICABLE MUST REMAIN WITHIN DIMENSIONS |   | THIRD ANGLE PROJECTION  | DRAWING SERIES<br><b>C-SIZE 39714</b>   |
| DOCUMENT STATUS P1 RELEASE DATE 2023/03/24 14:45:04  |   | <br><b>TERMINAL PLUG 5.08MM</b><br>45 DEGREE WIRE ENTRY WITH MOUNTING ENDS<br>PRODUCT CUSTOMER DRAWING<br>DOCUMENT NUMBER <b>SD-39714-001</b> DOC TYPE PSD DOC PART 001 REVISION <b>A3</b><br>MATERIAL NUMBER CUSTOMER SHEET NUMBER<br>SEE CHART GENERAL MARKET 2 OF 2 |   |