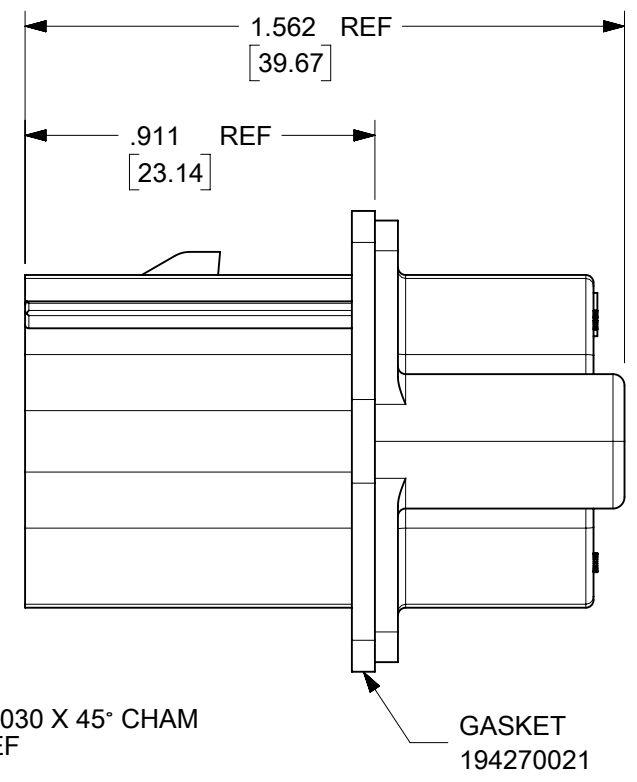
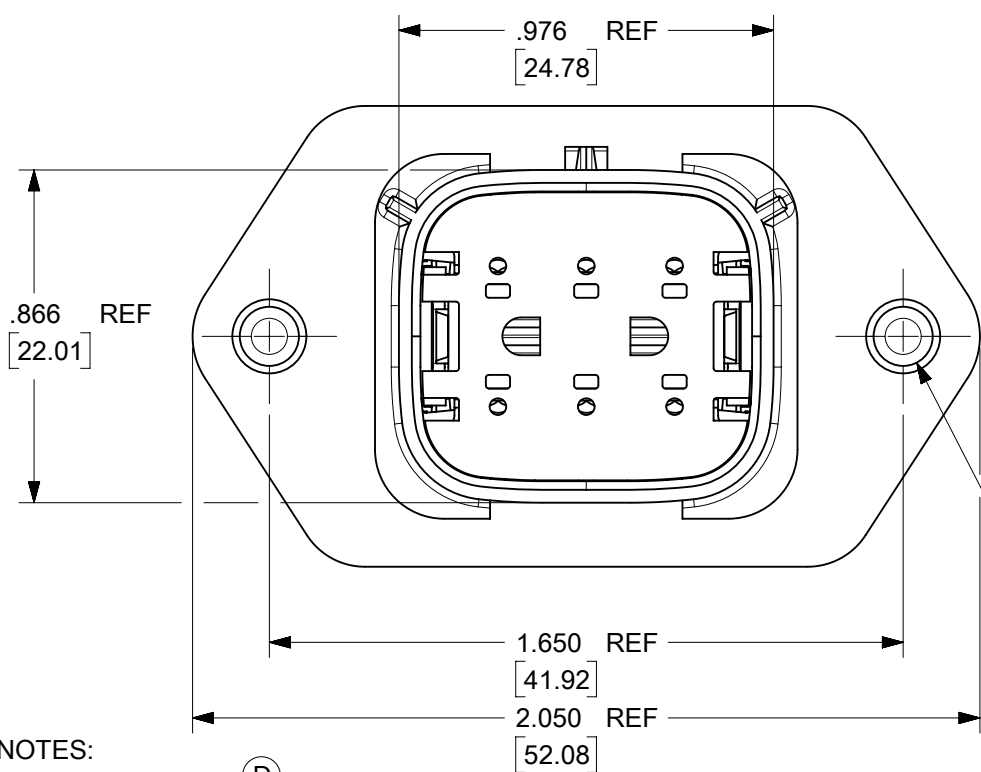
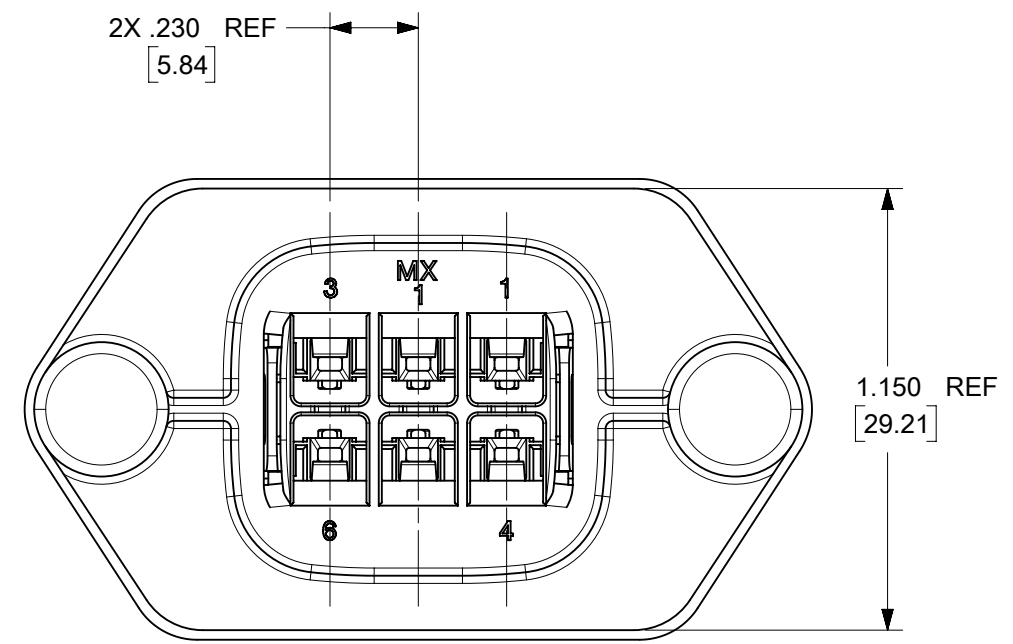


SCALE 1:1



GASKET
194270021



- NOTES:**
- MATERIALS:** (D)
HOUSING: SYNDIOTACTIC POLYSTYRENE (SPS), GLASS FILLED, UL94 V-0, COLOR: BLACK
GASKET: EPDM RUBBER
 - PRODUCT SPECIFICATION:** PS-19417-001.
 - PACKAGING SPECIFICATION:** PK-19429-001.
GASKETS, IF REQUIRED FOR THE ASSEMBLIES, ARE BULK PACKAGED IN A SEPARATE BAG.
 - MATES WITH:** 19418 SERIES RECEPTACLE ASSEMBLIES.
 - USE CONNECTOR WITH MALE CRIMP TERMINAL:** SERIES 19417.
 - RECOMMENDED MOUNTING HARDWARE:** (2)#10 X .62/15.8 LONG PLASTIC THREAD CUTTING SCREWS. RECOMMENDED TORQUE 15-17 IN-LBS.
SUGGESTED SOURCE: ITW SHAKEPROOF INDUSTRIAL BOSSCREW OR EQUIVALENT.
 - ASSEMBLY IS ROHS COMPLIANT.**

194290036	YES
194290010	NO
MATERIAL NUMBER	GASKET

DOCUMENT STATUS	P1	RELEASE DATE	2022/01/06	14:54:29
-----------------	----	--------------	------------	----------

THIS DRAWING CONTAINS INFORMATION THAT IS PROPRIETARY TO MOLEX ELECTRONIC TECHNOLOGIES, LLC AND SHOULD NOT BE USED WITHOUT WRITTEN PERMISSION									
FUNCTIONAL SYMBOLS	DIMENSION UNITS	SCALE	CURRENT REV DESC: REDRAWN IN NX & HSG MATERIAL UPDATED						
	$\frac{A}{A} = 0$	in/[mm]	2:1						
DIVISIONAL SYMBOLS	GENERAL TOLERANCES (UNLESS SPECIFIED)		EC NO: 690910						
	$\frac{E}{E} = 0$			MM		INCH		DRWN: RMV02 2021/12/20	
	$\frac{F}{F} = 0$	4 PLACES ±	±					CHK'D: DMYRICK 2022/01/05	
		3 PLACES ±	±	0.015				APPR: JMACNEIL 2022/01/06	
		2 PLACES ±	0.38	±				INITIAL REVISION:	
		1 PLACE ±	±					DRWN: DMYRICK 03/11/17	
		0 PLACES ±	±					APPR: DTITUS 2010/10/18	
		ANGULAR TOL	± 1.0°						
DRAFT WHERE APPLICABLE MUST REMAIN WITHIN DIMENSIONS			THIRD ANGLE PROJECTION	DRAWING	SERIES	MATERIAL NUMBER	CUSTOMER	DOCUMENT NUMBER	SHEET NUMBER
				B-SIZE	19429	SEE CHART	GENERAL MARKET	SD-19429-003	1 OF 1
								DOC TYPE	DOC PART
								PSD	001
								REVISION	D

molex

6 WAY PLUG PANEL MOUNT ASSEMBLY 22-14 AWG

PRODUCT CUSTOMER DRAWING