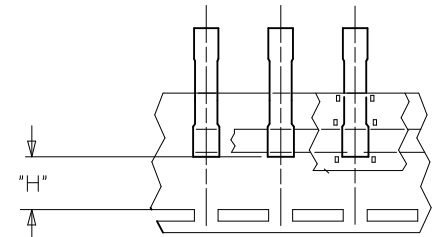
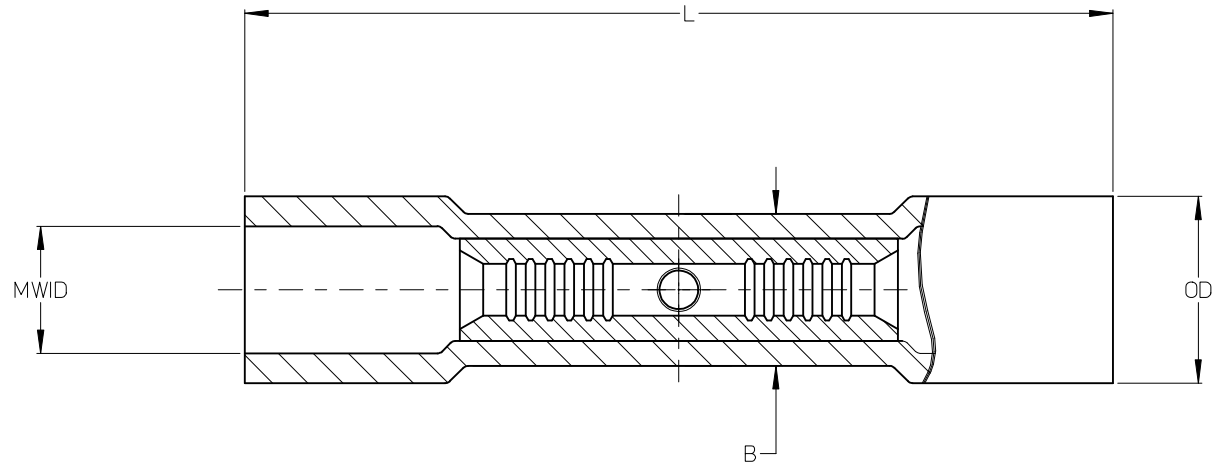
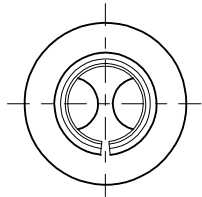


LOOSE PIECE		TAPE MOUNTED		DIMENSIONS						COLOR
MATERIAL NO.	ENGINEERING P/N	MATERIAL NO.	ENGINEERING P/N	MWID	OD (MAX)	L (MAX)	B (MAX)	ID (MIN)	H (NOM)	
191540004	A-245X	191540006	A-245XT	.150/3.81	.24/6.1	.97/24.6	.20/5.1	.060/1.52	.49/12.4	RED
191540015	B-231X	191540017	B-231XT	.175/4.45	.27/6.9	.98/24.9	.24/6.1	.080/2.03	.49/12.4	BLUE
191540028	C-246X	191540030	C-246XT	.260/6.60	.36/9.2	1.14/29.0	.30/7.6	.125/3.17	.43/10.9	YELLOW



TAPE MOUNTED PARTS



- NOTES:
1. MATERIALS: PVC INSULATION OVER TIN-PLATED COPPER SPLICE.
 2. COLOR: SEE CHART.
 2. MWID = MAXIMUM WIRE INSULATION DIAMETER
 3. PARTS ARE ROHS COMPLIANT.

REDRAW EC NO: WNA2009-0865 DRN: ETHRODAHL 2009/07/09 CHKD: JMACNEIL 2009/07/09 APPR: JMACNEIL 2009/07/09	DESCRIPTION REV A	QUALITY SYMBOLS	GENERAL TOLERANCES (UNLESS SPECIFIED)	DIMENSION STYLE	SCALE	DESIGN UNITS	THIRD ANGLE PROJECTION	
			mm INCH 4 PLACES ± --- ± --- 3 PLACES ± --- ± .005 2 PLACES ± 0.13 ± .01 1 PLACE ± 0.25 ± --- ANGULAR ± 1/2°	IN/MM	1:1	INCH	☉ ▢ THIRD ANGLE PROJECTION	
			DRAFT WHERE APPLICABLE MUST REMAIN WITHIN DIMENSIONS	DRAWN BY: ETHRODAHL DATE: 2009/06/23 CHECKED BY: JMACNEIL DATE: 2009/06/24 APPROVED BY: JMACNEIL DATE: 2009/06/24	TITLE	BUTT SPLICE CONNECTOR, INSULKRIMP		
				MATERIAL NO.	MOLEX INCORPORATED DOCUMENT NO. SD-19154-006 SHEET NO. 1 OF 1			