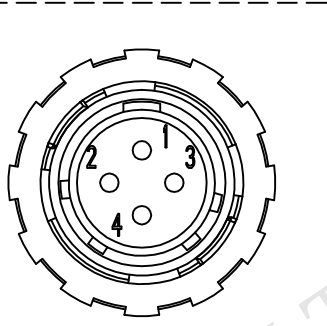
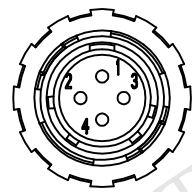
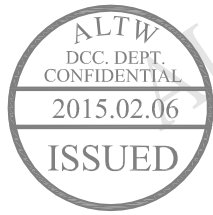
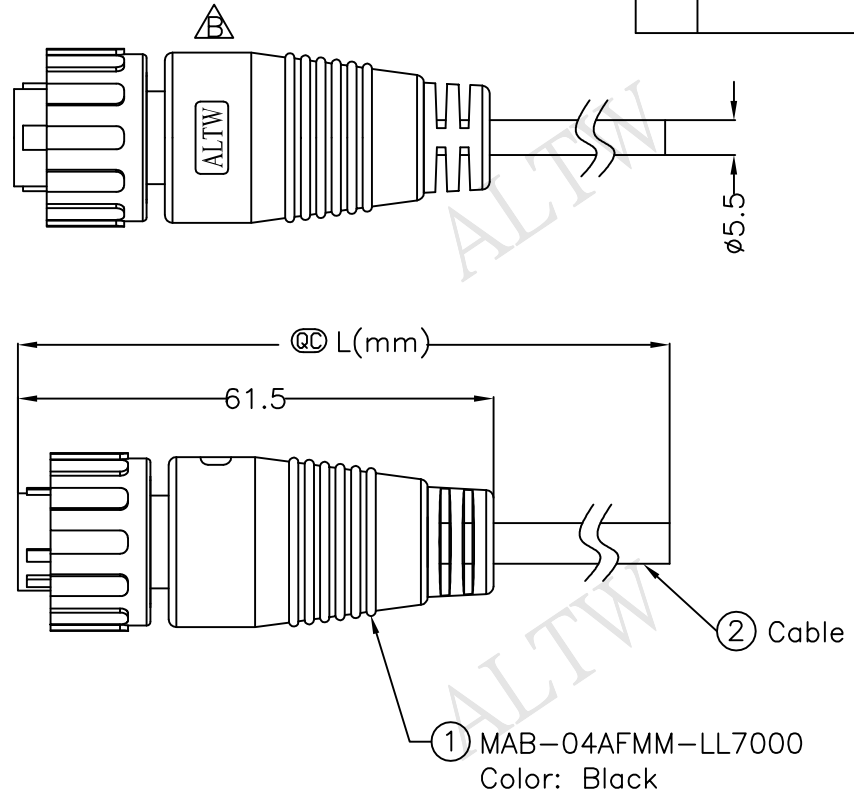


REV.	ECN NO.	DATE	SIGN	DESCRIPTION
A		Initial Release 2012/10/23	Ruru	MA17-04AFMM-LL7AXX To MAB-04AFMM-LL7AXX
B	LEN1520120~23	2015/01/30	Ruru	Change Logo

THIS DOCUMENT IS SUBJECT TO CHANGE WITHOUT NOTICE. IT IS CONFIDENTIAL AND A PROPERTY OF Amphenol LTW. DISCLOSURE TO THIRD PARTY HAS TO BE AUTHORIZED BY Amphenol LTW.



Pin Assignments
Front View 前視圖

Conn.	Wire Color		
1	Brown (20AWG)	棕	
2	Blue (20AWG)	藍	
3	Black (20AWG)	黑	
4	White (20AWG)	白	

MAB-04AFMM-LL7AXX
 ↑
 XX:01~99Meter
 01:01Meter
 02:02Meters
 ⋮
 99:99Meters
 Cable Length(L):01~99Meters

- Note:
- * @C Important Dimensions
 - * Waterproof Rate: IP67
 - * Housing: Nylon+GF, Black
 - * Lock Nut: Nylon+GF, Black
 - * Male Pin: Copper Alloy, Gold Plated
 - * Cable: UL2464 20AWG*4C+D+A
OD=5.5, Black
 - * Cable Length Tolerance: 01M:±40mm
02M~05M:±60mm
06M~10M:±100mm
11M~30M:±200mm
31M~99M:±500mm

UNIT:mm	
TOLERANCE	±0.5 mm

TITLE CABLE 2LOCK 4P F CONN M PIN	
SCALE Free	SHEET 1 OF 1
REV. B	SIZE A4 @C :Inspection Item

Amphenol LTW
 安費諾亮泰企業股份有限公司

ITEM NO	
DWG NO	MAB-04AFMM-LL7AXX
CUSTOMER	ALTW

DRAWN BY	Ruru	DATE	2015/01/30
CHECKED BY	Rita	DATE	2015/01/30
APPROVED BY	Win	DATE	2015/01/30