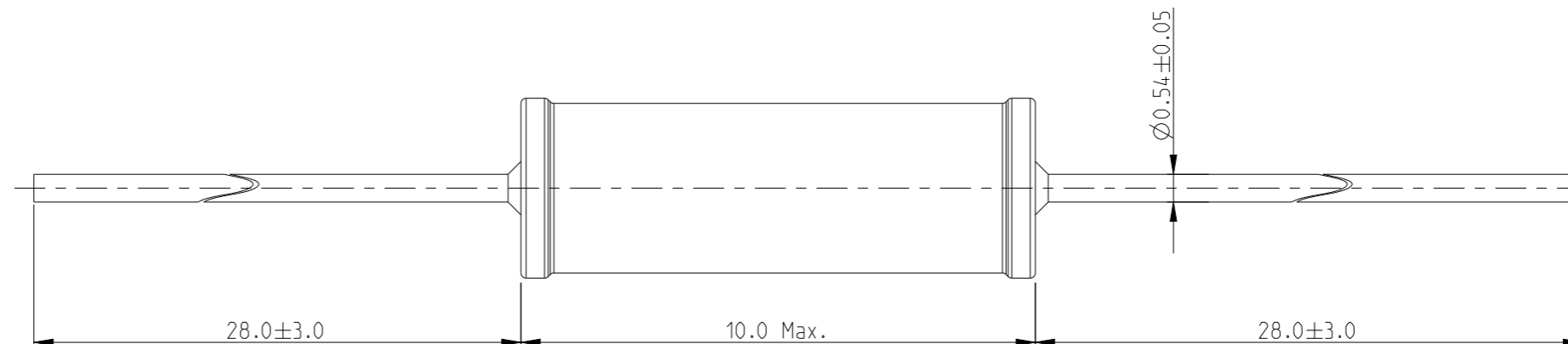
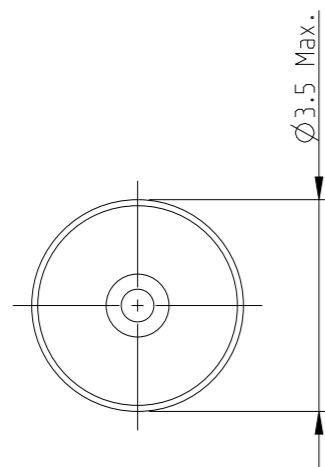


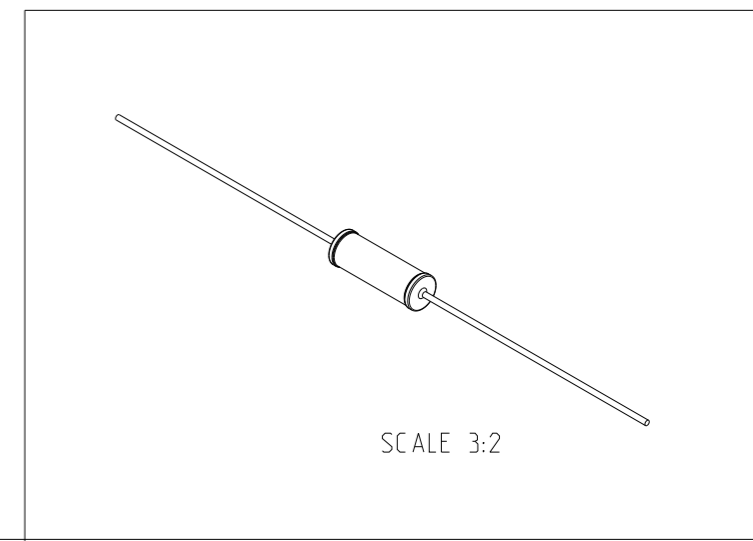
REVISIONS

| P | LTR | DESCRIPTION | DATE | DWN | APVD |
|---|-----|-----------------------------|-----------|-----|------|
| | BA | NEW RELEASE | 23-MAR-10 | MRS | St.P |
| | BB | CLARIFICATION OF DIMENSIONS | 18JAN2023 | DM | AP |
| | | | | | |
| | | | | | |

FOR FURTHER INFORMATION SEE DATA SHEET FOR SERIES LR, METAL FILM FIXED RESISTORS



RoHS Compliant



| | | | | | | | | | | | | | | | | |
|---|------|--------------------------------|-------------------------|--------------------|------|-------|----|-------|----|-------|----|--------|-----|-------------------|--|--|
| THIS DRAWING IS A CONTROLLED DOCUMENT. | | DWN MAHARUDRA 23-MAR-10 | | | | | | | | | | | | | | |
| DIMENSIONS: mm | | CHK ALLAN.P 23-MAR-10 | | | | | | | | | | | | | | |
| TOLERANCES UNLESS OTHERWISE SPECIFIED: | | APVD STEPHEN.P 23-MAR-10 | | | | | | | | | | | | | | |
| <table border="1"> <tr> <td>0 PLC</td> <td>±0.2</td> </tr> <tr> <td>1 PLC</td> <td>±0.1</td> </tr> <tr> <td>2 PLC</td> <td>±-</td> </tr> <tr> <td>3 PLC</td> <td>±-</td> </tr> <tr> <td>4 PLC</td> <td>±-</td> </tr> <tr> <td>ANGLES</td> <td>±5°</td> </tr> </table> | | 0 PLC | ±0.2 | 1 PLC | ±0.1 | 2 PLC | ±- | 3 PLC | ±- | 4 PLC | ±- | ANGLES | ±5° | PRODUCT SPEC - | NAME METAL FILM FIXED RESISTORS SERIES LR2 | |
| 0 PLC | ±0.2 | | | | | | | | | | | | | | | |
| 1 PLC | ±0.1 | | | | | | | | | | | | | | | |
| 2 PLC | ±- | | | | | | | | | | | | | | | |
| 3 PLC | ±- | | | | | | | | | | | | | | | |
| 4 PLC | ±- | | | | | | | | | | | | | | | |
| ANGLES | ±5° | | | | | | | | | | | | | | | |
| MATERIAL - | | FINISH - | APPLICATION SPEC - | RESTRICTED TO - | | | | | | | | | | | | |
| | | WEIGHT - | SIZE A3 | CAGE CODE 00779 | | | | | | | | | | | | |
| | | | DRAWING NO C-1622753 | | | | | | | | | | | | | |
| | | | SCALE 8:1 | SHEET 1 OF 1 | | | | | | | | | | | | |
| | | | | REV BB | | | | | | | | | | | | |