

| | | | | | | | |
|-----|------|-----------|-----|---------------------|------|-----|------|
| LOC | DIST | REVISIONS | | | | | |
| A | 66 | P | LTR | DESCRIPTION | DATE | DWN | APVD |
| | | | E1 | SEE PRODUCT DRAWING | - | - | - |


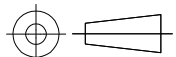
SEE PRODUCTION DRAWING
680414

THIS DRAWING IS UNPUBLISHED.

ALL INTERNATIONAL RIGHTS RESERVED.

BY TYCO ELECTRONICS CORPORATION.

© COPYRIGHT

| | | | | | | | |
|---|------------------|-----------|-----------|---|-----------|------------|---------------|
| DIMENSIONS: INCHES | DWN | M.YOUNGER | 09FEB2011 | MATERIAL | - | FINISH | - |
| | CHK | - | - |  Tyco Electronics Corporation Harrisburg, PA 17105-3608 | | | |
| TOLERANCES UNLESS OTHERWISE SPECIFIED: | APVD | - | - | | | | |
| 0 PLC ± - | PRODUCT SPEC | - | - | SIZE | CAGE CODE | DRAWING NO | RESTRICTED TO |
| 1 PLC ± - | APPLICATION SPEC | - | - | A4 | 00779 | C-680414 | - |
| 2 PLC ± - | WEIGHT | - | - | CUSTOMER DRAWING | | | SCALE |
| 3 PLC ± - | | | | | | | 1:1 |
| 4 PLC ± - | | | | | | | SHEET |
| ANGLES ± - | | | | | | | 1 OF 1 |
|  | | | | | | | REV |
| | | | | | | | E1 |