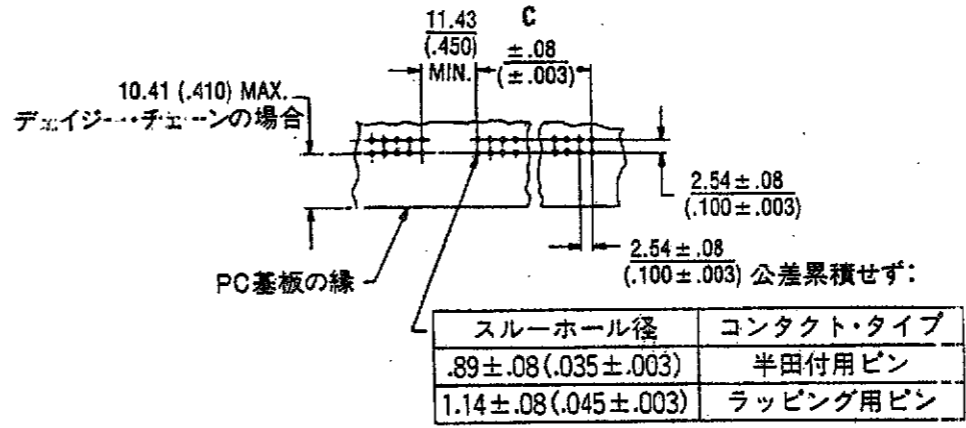
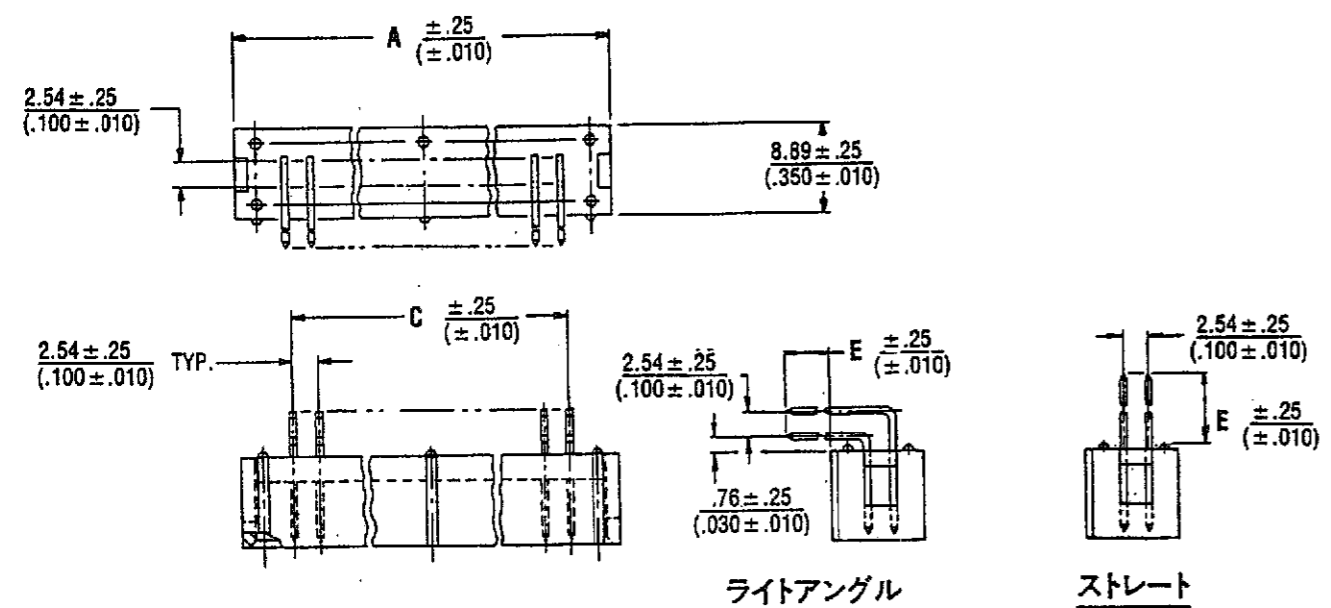


THIS DRAWING IS UNPUBLISHED. RELEASED FOR PUBLICATION

© COPYRIGHT BY TYCO ELECTRONICS CORPORATION. ALL RIGHTS RESERVED.

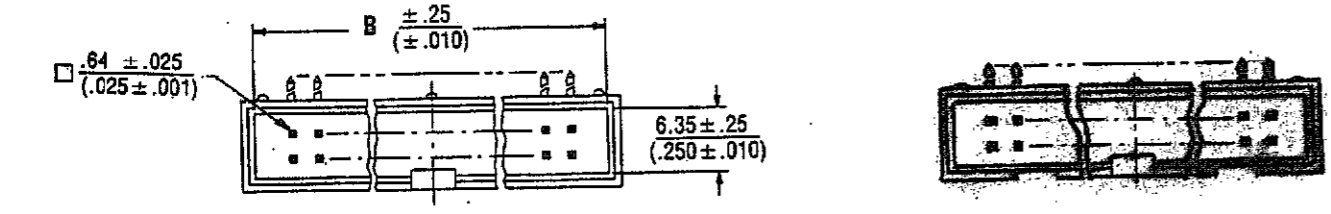
| LOC | DIST | REVISIONS |     |                        |         |      |      |
|-----|------|-----------|-----|------------------------|---------|------|------|
| J   | -    | P         | LTR | DESCRIPTION            | DATE    | DWN  | APVD |
|     |      | A         |     | REVISED (FJ00-1434-01) | 26JUN01 | M.I. | HS   |



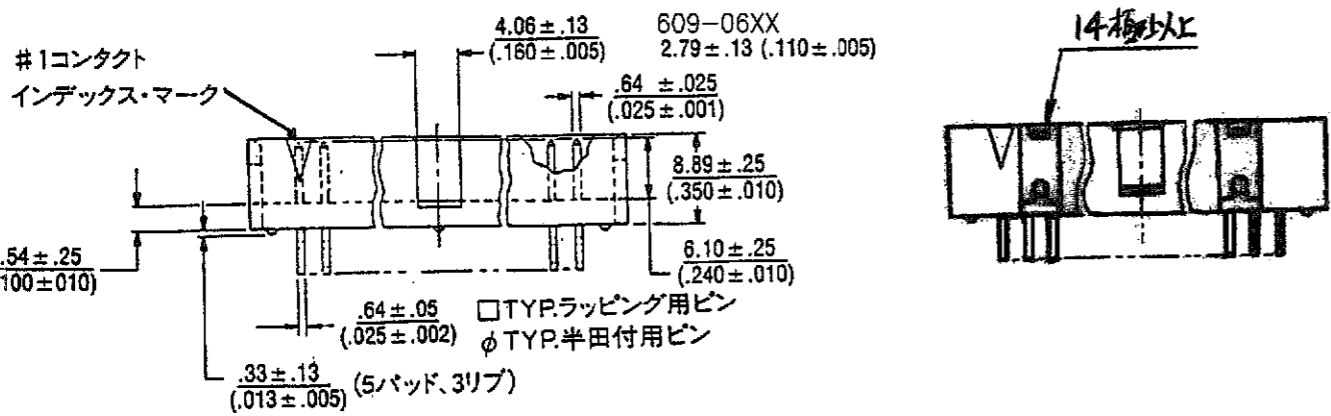
仕様

| 使用材料      |                             |
|-----------|-----------------------------|
| 絶縁材料      | ガラス繊維入り熱可塑性樹脂 (94-V0) 色調:青  |
| コンタクト     | 黄銅                          |
| コンタクト・メッキ | ニッケル下地に金メッキ                 |
| 電気的特性     |                             |
| 定格電流      | 1A                          |
| 絶縁抵抗      | >1×10 <sup>9</sup> Ω/500VDC |
| 絶縁耐圧      | >1000VRMS(SEA LEVEL)        |
| 環境的特性     |                             |
| 定格温度      | -55℃ ~ 125℃                 |

取付け穴パターン例



| 旧型番      | 寸法E         | コンタクト・タイプ |
|----------|-------------|-----------|
| 609-XX07 | 2.59(.102)  | 半田付用ピン    |
| 609-XX47 | 15.49(.610) | ラッピング用ピン  |



現形状

新形状 (ランニングチェンジ)

| 型番          |             |             |          | 旧型番         |          |             |          | 極数 | 寸法 A          | 寸法 B          | 寸法 C          |
|-------------|-------------|-------------|----------|-------------|----------|-------------|----------|----|---------------|---------------|---------------|
| RIGHT ANGLE | STRAIGHT    | RIGHT ANGLE | STRAIGHT | RIGHT ANGLE | STRAIGHT | RIGHT ANGLE | STRAIGHT |    |               |               |               |
| 2-1437044-4 | 2-1437044-7 | N/A         | N/A      | 609-0607    | 609-0627 | 609-0647    | 609-0657 | 6  | 15.24 (.600)  | 12.70 (.500)  | 5.08 (.200)   |
| 3-1437044-7 | 4-1437044-3 | N/A         | N/A      | 609-1007    | 609-1027 | 609-1047    | 609-1057 | 10 | 20.32 (.800)  | 17.78 (.700)  | 10.16 (.400)  |
| N/A         | 5-1437044-9 | N/A         | N/A      | 609-1407    | 609-1427 | 609-1447    | 609-1457 | 14 | 25.40 (1.000) | 22.86 (.900)  | 15.24 (.600)  |
| 7-1437044-3 | 8-1437044-0 | N/A         | N/A      | 609-1607    | 609-1627 | 609-1647    | 609-1657 | 16 | 27.94 (1.100) | 25.40 (1.000) | 17.78 (.700)  |
| 9-1437044-5 | 1437045-2   | N/A         | N/A      | 609-2007    | 609-2027 | 609-2047    | 609-2057 | 20 | 33.02 (1.300) | 30.48 (1.200) | 22.86 (.900)  |
| 1-1437045-6 | N/A         | N/A         | N/A      | 609-2407    | 609-2427 | 609-2447    | 609-2457 | 24 | 38.10 (1.500) | 35.56 (1.400) | 27.94 (1.100) |
| 2-1437045-5 | 3-1437045-2 | N/A         | N/A      | 609-2607    | 609-2627 | 609-2647    | 609-2657 | 26 | 40.64 (1.600) | 38.10 (1.500) | 30.48 (1.200) |
| 4-1437045-7 | 5-1437045-4 | N/A         | N/A      | 609-3407    | 609-3427 | 609-3447    | 609-3457 | 34 | 50.80 (2.000) | 48.26 (1.900) | 40.64 (1.600) |
| N/A         | N/A         | N/A         | N/A      | 609-3607    | 609-3627 | 609-3647    | 609-3657 | 36 | 53.34 (2.100) | 50.80 (2.000) | 43.18 (1.700) |
| N/A         | 8-1437045-3 | N/A         | N/A      | 609-4007    | 609-4027 | 609-4047    | 609-4057 | 40 | 58.42 (2.300) | 55.88 (2.200) | 48.26 (1.900) |
| N/A         | N/A         | N/A         | N/A      | 609-4407    | 609-4427 | 609-4447    | 609-4457 | 44 | 63.50 (2.500) | 60.96 (2.400) | 53.34 (2.100) |
| 1437046-6   | 1-1437046-5 | N/A         | N/A      | 609-5007    | 609-5027 | 609-5047    | 609-5057 | 50 | 71.12 (2.800) | 68.58 (2.700) | 60.96 (2.400) |
| N/A         | N/A         | N/A         | N/A      | 609-5607    | 609-5627 | 609-5647    | 609-5657 | 56 | 78.74 (3.100) | 76.20 (3.000) | 68.58 (2.700) |
| N/A         | N/A         | N/A         | N/A      | 609-6007    | 609-6027 | 609-6047    | 609-6057 | 60 | 83.82 (3.300) | 81.28 (3.200) | 73.66 (2.900) |
| N/A         | N/A         | N/A         | N/A      | 609-6407    | 609-6427 | 609-6447    | 609-6457 | 64 | 88.90 (3.500) | 86.36 (3.400) | 78.74 (3.100) |

THIS DRAWING IS A CONTROLLED DOCUMENT.

|                       |  |                  |            |  |                 |                          |               |
|-----------------------|--|------------------|------------|--|-----------------|--------------------------|---------------|
| DIMENSIONS: MM (INCH) | TOLERANCES UNLESS OTHERWISE SPECIFIED: | DWN (Y.OKI)      | 09NOV00    | <b>AMP</b> Tyco Electronics AMP K.K. Kawasaki, Japan |                 |                          |               |
|                       | 0 PLC ±-                               | CHK K.K.         | 1DEC01     |  |                 |                          |               |
|                       | 1 PLC ±-                               | APVD K.K.        | 1DEC01     |  |                 |                          |               |
|                       | 2 PLC ±-                               | PRODUCT SPEC     |            |  |                 |                          |               |
| MATERIAL              | FINISH                                 | APPLICATION SPEC |            | NAME   |                 |                          |               |
|                       |  | WEIGHT           |            | ロープロファイル・ヘッダー<br>LOW PROFILE HEADER                  |                 |                          |               |
|                       |  | CUSTOMER DRAWING | SCALE None | SIZE A3  | CAGE CODE 00779 | DRAWING NO C-2-1437044-4 | RESTRICTED TO |
|                       |  |                  |            |  |                 |                          | REV A         |