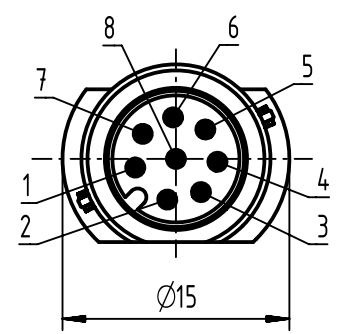
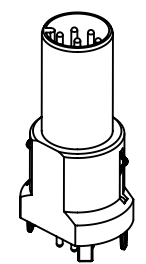
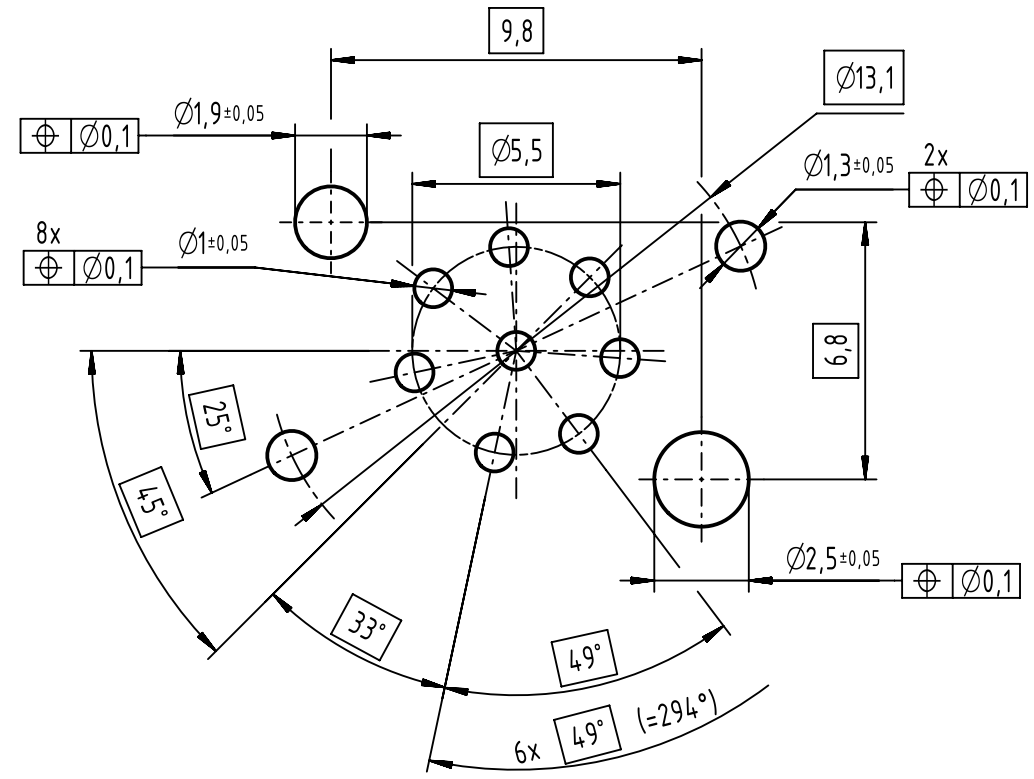



contact face based on  
IEC 61076-2-101



A (5:1)  
recommended PCB-layout



- 60 pcs. tray package

	All rights reserved Department EC PD - DE	All Dimensions in mm Original Size DIN A4			Scale 2:1	Free size tol.	Ref. Sub. TB 21033211818 D 500000081016 2014-10-30		
		HARTING Electronics GmbH D-32339 Espelkamp	Created by DYCKC	Inspected by EISFELD	Standardisation HOFFMANN	Date 2015-06-02	State Final Release	Doc-Key / ECM-Nr. 100215283/UGD/004/E 500000089558	
		Title HARTING M12 PCB receptacle male A-coded 8-pole				Type TB		Number 21033211818	
						Rev. E		Page 1/1	