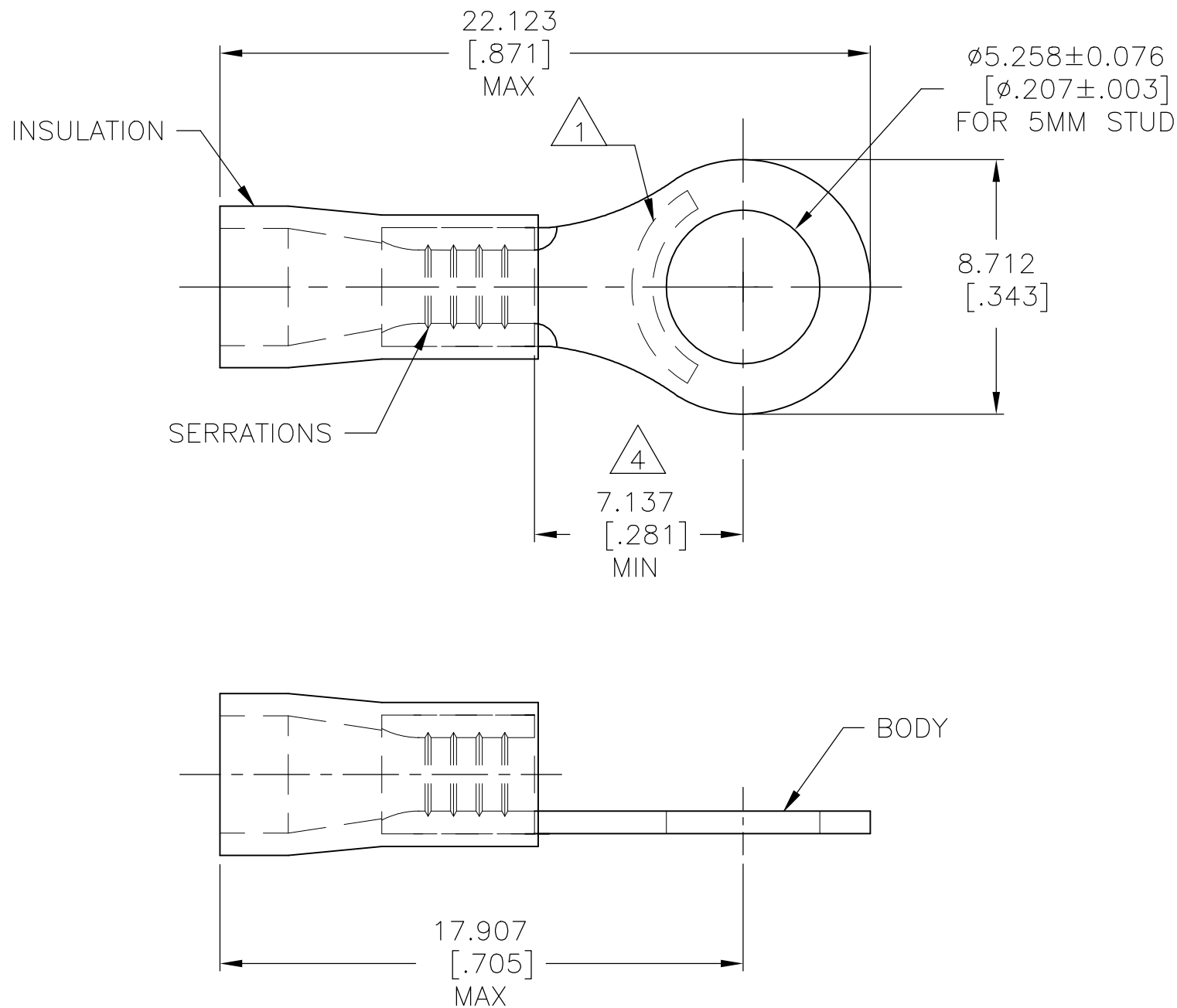


P	LTR	DESCRIPTION	DATE	DWN	APVD
	D	REV PER ECR 05-009599	06DEC05	JR	TM
	D1	REVISED PER ECO-17-014338	15MAY2018	RS	DR



- 1 STAMP AMP 16-14* APPROX AS SHOWN
- 2 WIRE INSULATION DIA: 2.667-3.683[.105-.145]
- 3 BODY MATERIAL THICKNESS IS 0.787±0.051[.031±.002]
- 4 APPLIES FROM EDGE OF METAL WIRE BARREL TO CENTER OF STUD HOLE
- 5 600 VOLT MAX
- 6 CIRCULAR MIL AREA, 2,050 - 5,180[1.04mm²-2.62mm²]
- 7 MAXIMUM TEMPERATURE 105°C[221°F]

LOOSE PIECE	1000	130098
PACKAGING	QTY	PART NO

THIS DRAWING IS A CONTROLLED DOCUMENT.		DWN jr_ruth 06DEC05	TE Connectivity Ltd.		
DIMENSIONS: mm [INCHES]		CHK T MICHELUTTI 06DEC05			
TOLERANCES UNLESS OTHERWISE SPECIFIED:		APVD T MICHELUTTI 06DEC05	NAME TERMINAL, RING TONGUE, PLASTI-GRIP, 16-14 AWG		
		PRODUCT SPEC UL 486 A-B	RESTRICTED TO		
MATERIAL BODY: COPPER PER ASTM B152 INSULATION: PVC		APPLICATION SPEC 114-2161	SIZE A3	CAGE CODE 00779	DRAWING NO C-130098
FINISH BODY: TIN PLATE PER ASTM B545 INSULATION: COLOR - BLUE		WEIGHT	SCALE 5:1 SHEET 1 OF 1 REV D1		
CUSTOMER DRAWING					