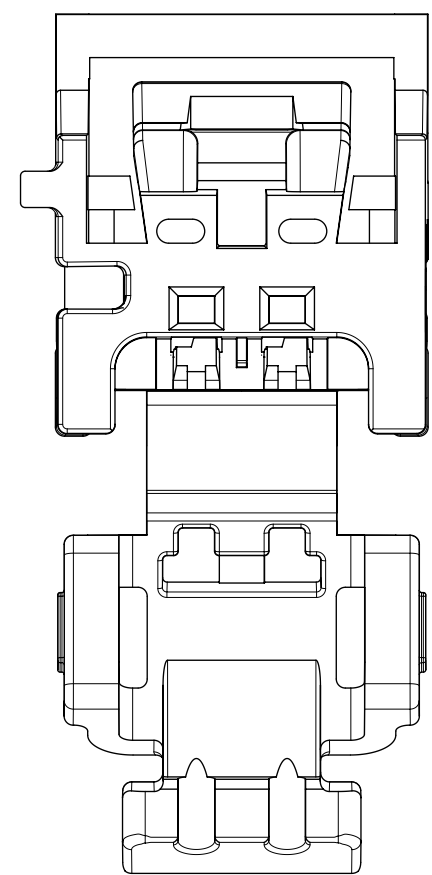
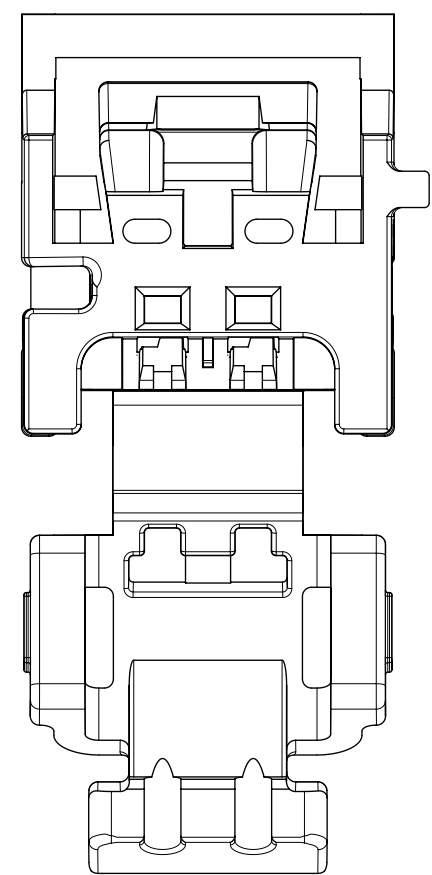


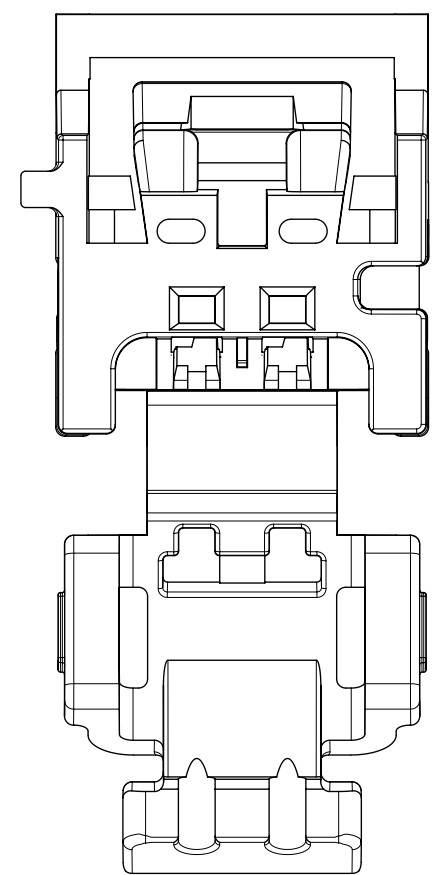
2 CIRCUIT RECEPTACLE WITH LOCK BRIDGE
POLARIZATION OPTION A



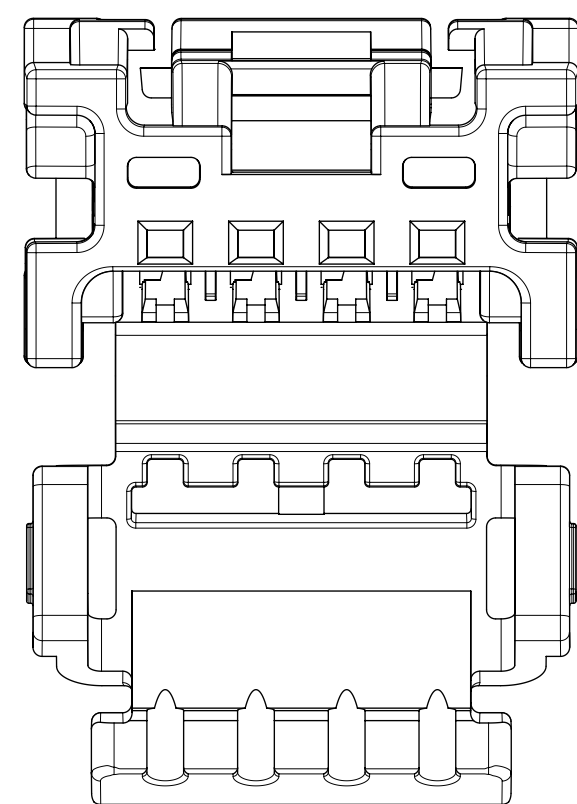
2 CIRCUIT RECEPTACLE WITH LOCK BRIDGE
POLARIZATION OPTION B



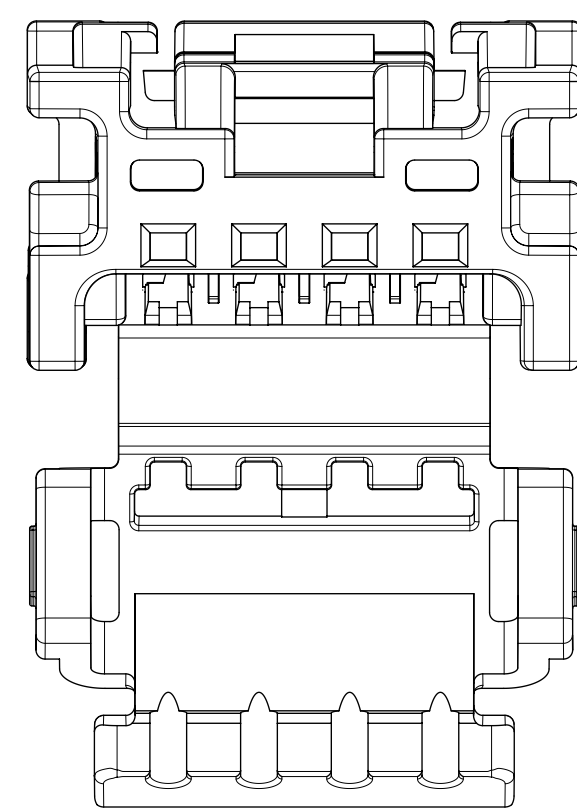
2 CIRCUIT RECEPTACLE WITH LOCK BRIDGE
POLARIZATION OPTION C



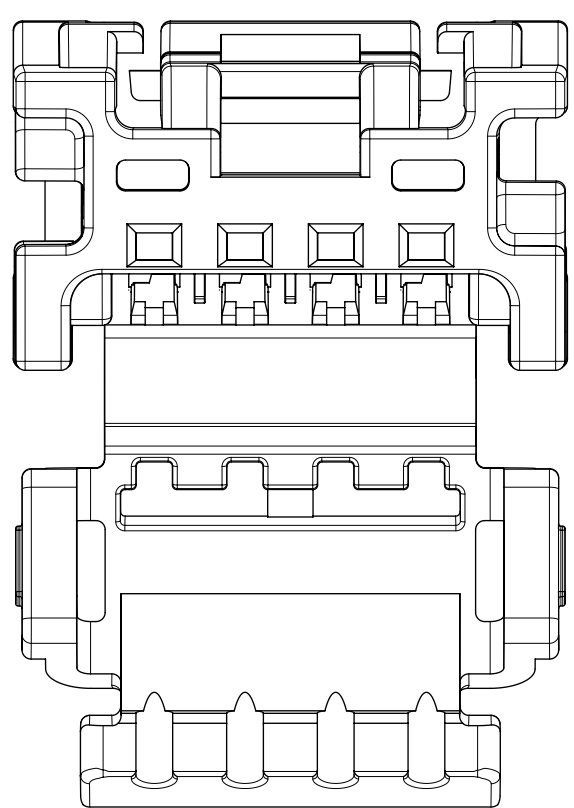
2 CIRCUIT RECEPTACLE WITH LOCK BRIDGE
POLARIZATION OPTION D



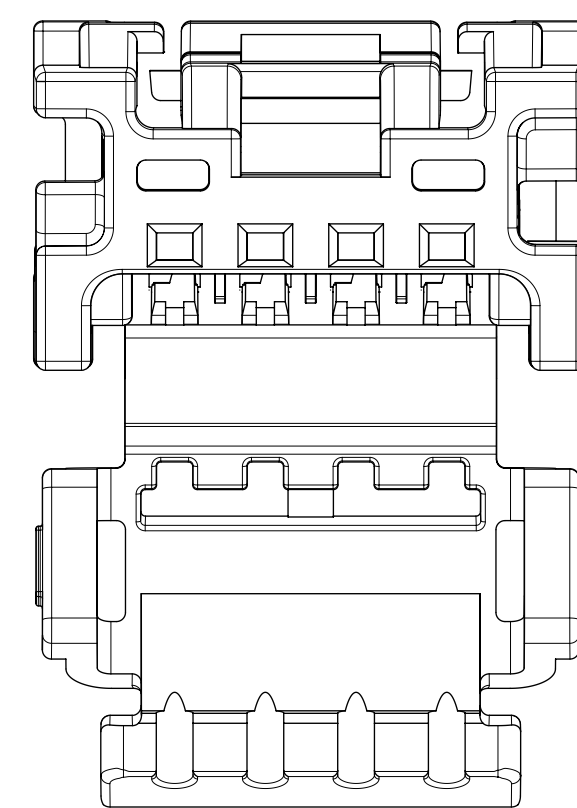
4 CIRCUIT RECEPTACLE WITHOUT LOCK BRIDGE
POLARIZATION OPTION A



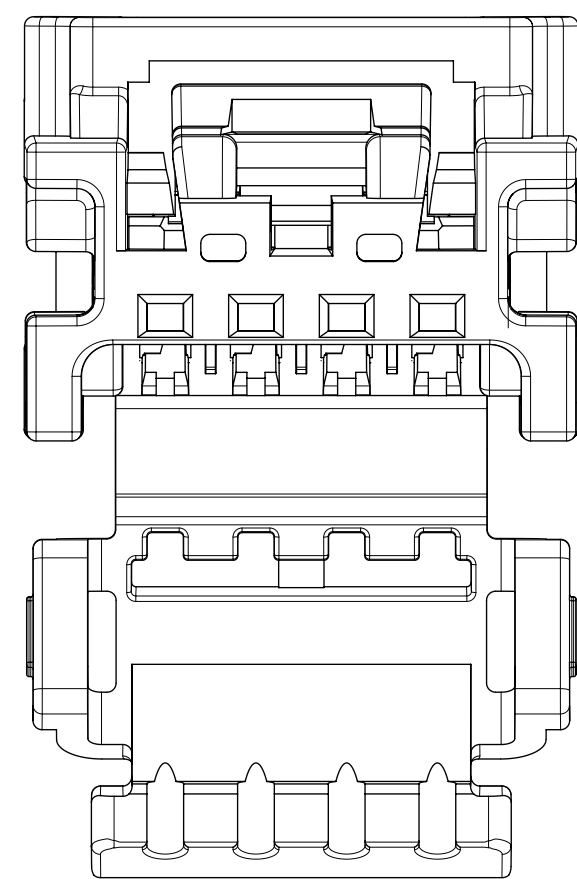
4 CIRCUIT RECEPTACLE WITHOUT LOCK BRIDGE
POLARIZATION OPTION B



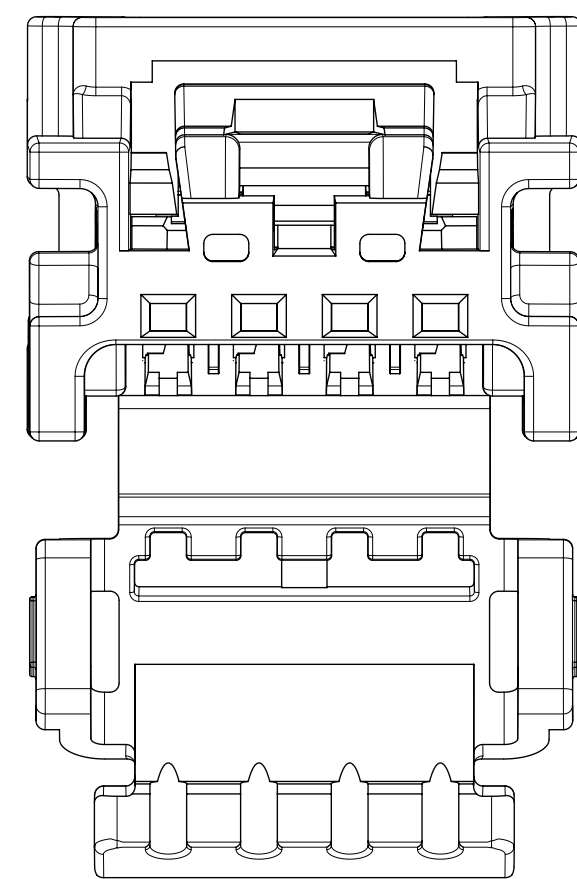
4 CIRCUIT RECEPTACLE WITHOUT LOCK BRIDGE
POLARIZATION OPTION C



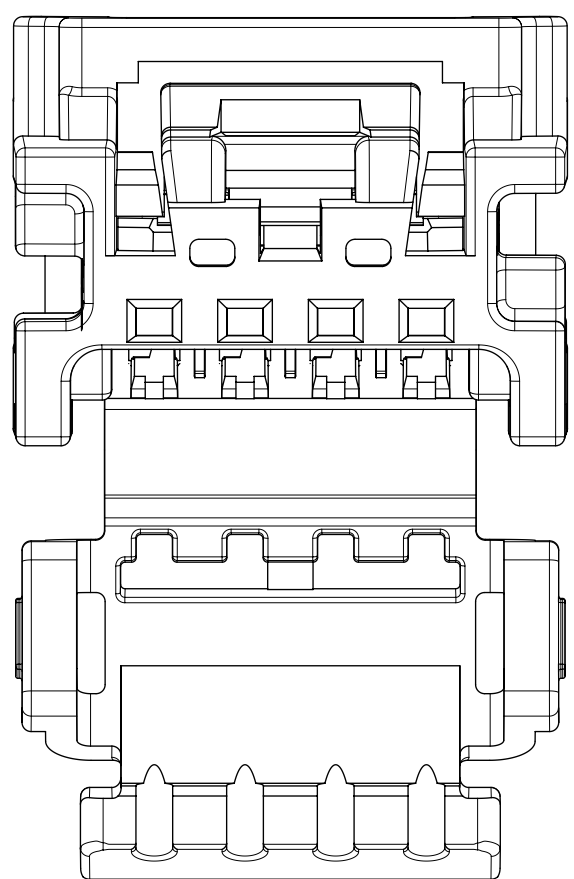
4 CIRCUIT RECEPTACLE WITHOUT LOCK BRIDGE
POLARIZATION OPTION D



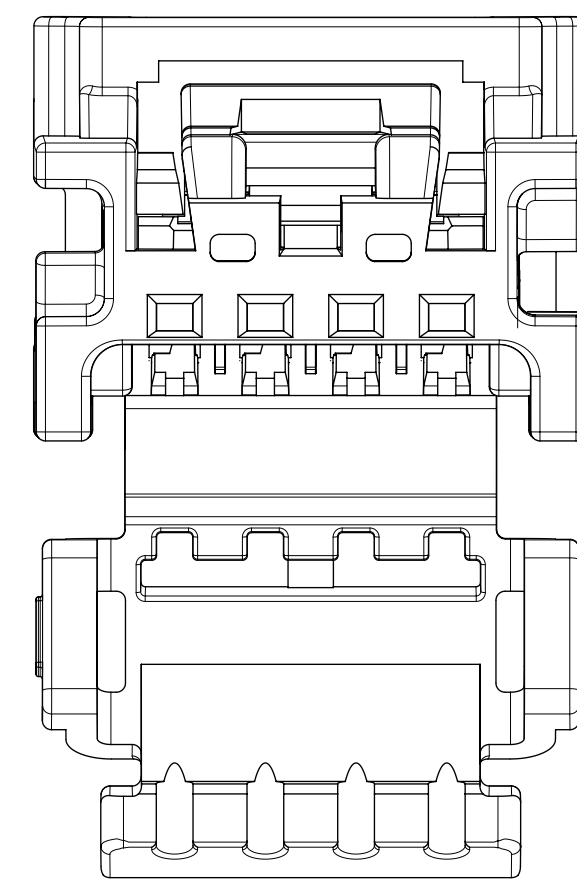
4 CIRCUIT RECEPTACLE BRIDGED
POLARIZATION OPTION A



4 CIRCUIT RECEPTACLE BRIDGED
POLARIZATION OPTION B



4 CIRCUIT RECEPTACLE BRIDGED
POLARIZATION OPTION C



4 CIRCUIT RECEPTACLE BRIDGED
POLARIZATION OPTION D

NOTES: VALID UNLESS OTHERWISE SPECIFIED

1. GENERAL:

- a. APPLICATION SPECIFICATION SEE: AS-34791-020
- b. PRODUCT SPECIFICATION SEE: PS-34971-020
- c. PACKAGING SPECIFICATION PER MOLEX DRAWING: PK-31301-538
- d. PARTS MUST BE IN COMPLIANCE TO MOLEX CHEMICAL SUBSTANCES FOR PRODUCTS AND PACKAGING SPECIFICATION: QEHS-699000-301
- e. DATA MUST BE SUBMITTED UNDER THE MOLEX PART NUMBER TO IMDS (COMPANY ID#13255)
- f. FLAMMABILITY REQUIREMENT: PER ISO3795 OR GM3191
 - 1. BURN RATE 100 mm/MIN MAXIMUM
 - 2. MATERIAL MUST BE SELF EXTINGUISHING
- g. VISUAL DEFECTS SHALL MEET COSMETIC STANDARD PS-45499-002 (Class B)
- h. FOR TERMINAL USAGE, REFER TO MOLEX SALES DRAWING SD-560023-002.

2. DESIGN - MATERIALS:

- a. MATERIAL: UNFILLED PBT

3. DESIGN - GEOMETRY:

- a. THIS IS A 100% CAD GENERATED PART. THE CAD MATHEMATICAL DATA IS THE MASTER FOR THIS PART. FOR DIMENSIONAL OR ANY INFORMATION NOT SHOWN ON THIS DRAWING, ANALYZE THE CAD MODEL.
- b. GEOMETRIC DIMENSIONS AND TOLERANCES PER ASME Y14.5M - 1994
- c. GENERAL TOLERANCES:
 - LINEAR: PER DIN 16901 CODE B FOR PRECISION ENGINEERING
 - ANGULAR: ±3°
- d. EDGES AND UNDIMENSIONED DETAILS PER ISO13715
- e. CORNERS SHOWN AS SHARP TO BE R 0.2 MAX
- f. LETTERING SHALL BE 0.1 MAX RAISED IN 0.15 MAX RECESS PAD AND NOT PROTRUDE THE SURFACE. THIS INCLUDES RECYCLING CODE, PLANT AND CAVITY ID, VENDOR ID, CIRCUIT ID, AND PART SERIES NUMBER.

4. DESIGN - FUNCTIONALITY

- a. HINGE DOES NOT AFFECT FUNCTION OF THE PART.

INSPECTION BALLOON NUMBER LOG	
PER DRAWING REVISION: L2	
LAST BALLOON USED: 16	
ADDED BALLOON NUMBERS:	
REMOVED BALLOON NUMBERS:	

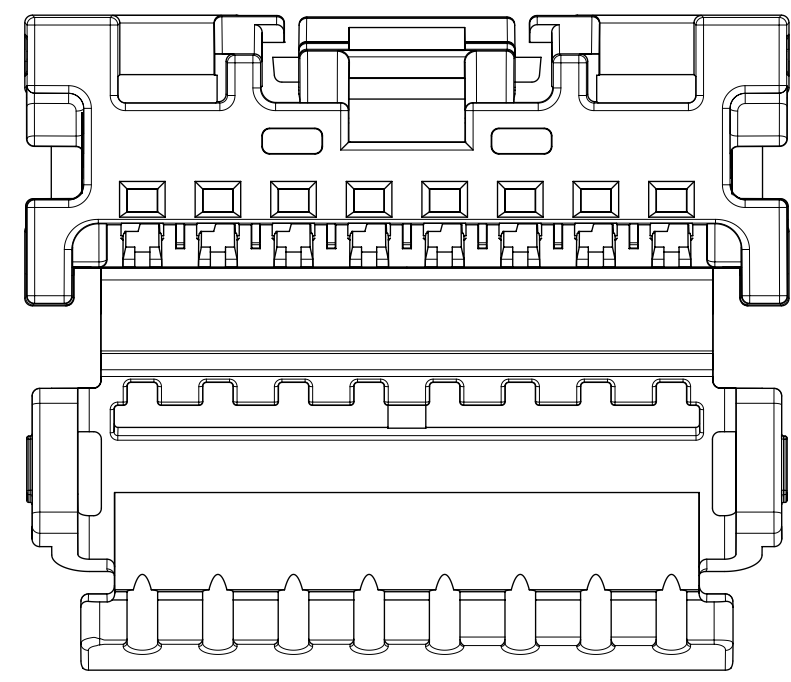
L2	NX REMASTERING
REV	DESCRIPTION

THIS DRAWING CONTAINS INFORMATION THAT IS PROPRIETARY TO MOLEX ELECTRONIC TECHNOLOGIES, LLC AND SHOULD NOT BE USED WITHOUT WRITTEN PERMISSION

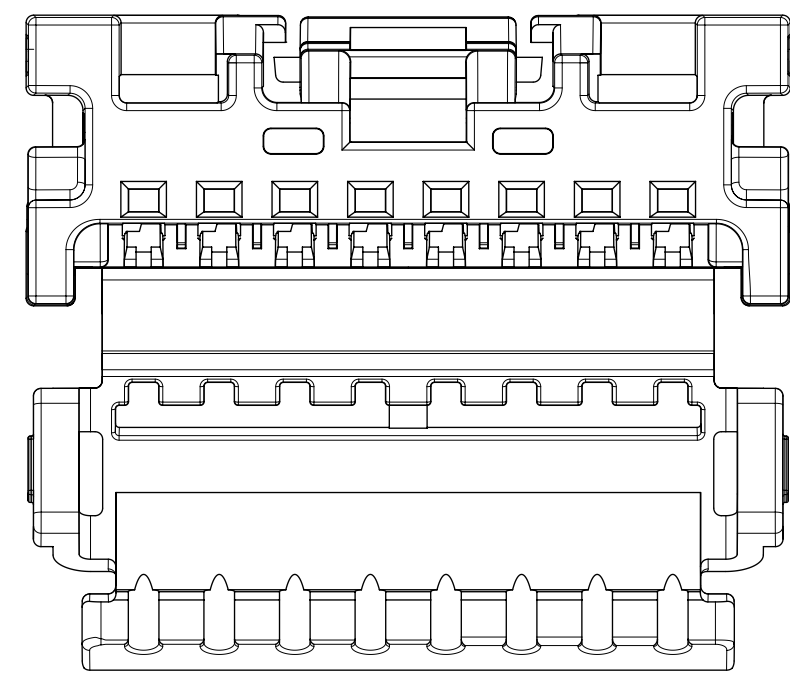
2018/11/29	GENERAL TOLERANCES (UNLESS SPECIFIED)	DIMENSION UNITS	SCALE
2018/12/03	ANGULAR TOL ± °	MM ONLY	6:1
2018/12/03	4 PLACES ±	DRWN BY	DATE
	3 PLACES ±	JDUNAJ	2010/06/24
	2 PLACES ±	CHKD BY	DATE
	1 PLACE ±	BDICK	2010/06/24
	0 PLACES ±	APPR BY	DATE
	DRAFT WHERE APPLICABLE MUST REMAIN WITHIN DIMENSIONS	SMARCEAU	2011/11/21
		DRAWING SIZE	THIRD ANGLE PROJECTION
		D	

molex			
MINI50 SINGLE ROW RECEPTACLE SALES DRAWING			
PRODUCT CUSTOMER DRAWING			
SERIES	MATERIAL NUMBER	CUSTOMER	
34791	SEE TABLE	GENERAL MARKET	
DOCUMENT NUMBER		DOC TYPE	DOC PART SHEET NUMBER
SD-34791-001		PSD	000 1 OF 5

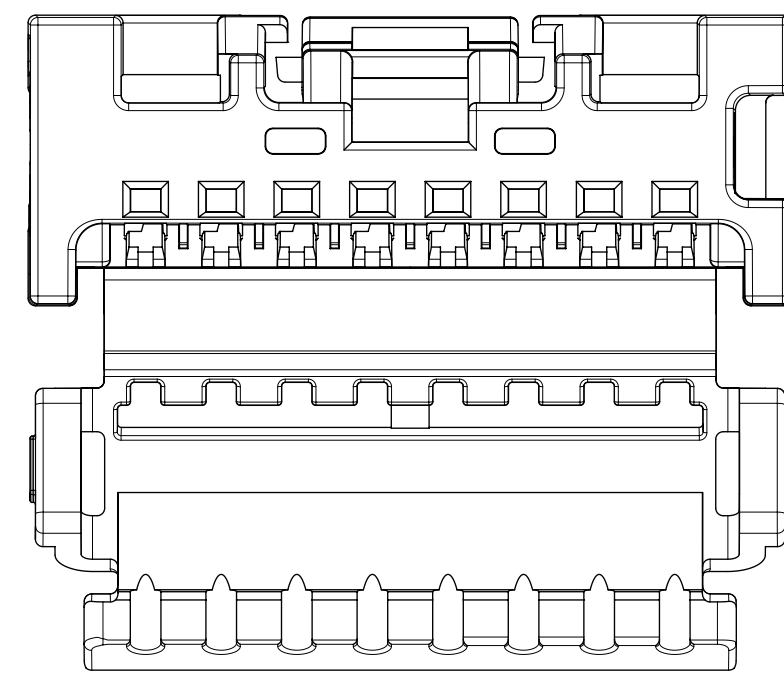
RELEASE STATUS	RELEASE DATE
L5	



8 CIRCUIT RECEPTACLE WITHOUT LOCK BRIDGE
POLARIZATION OPTION A

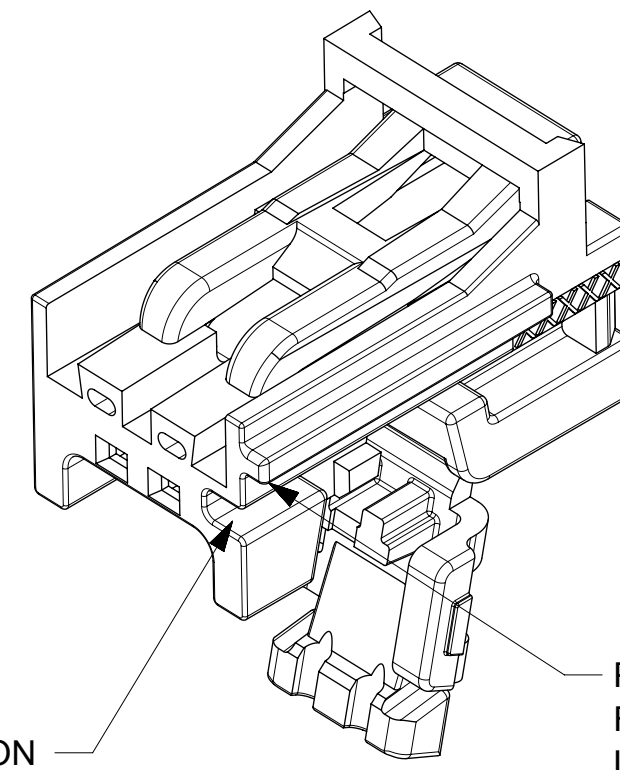


8 CIRCUIT RECEPTACLE WITHOUT LOCK BRIDGE
POLARIZATION OPTION B



8 CIRCUIT RECEPTACLE WITHOUT LOCK BRIDGE
POLARIZATION OPTION C

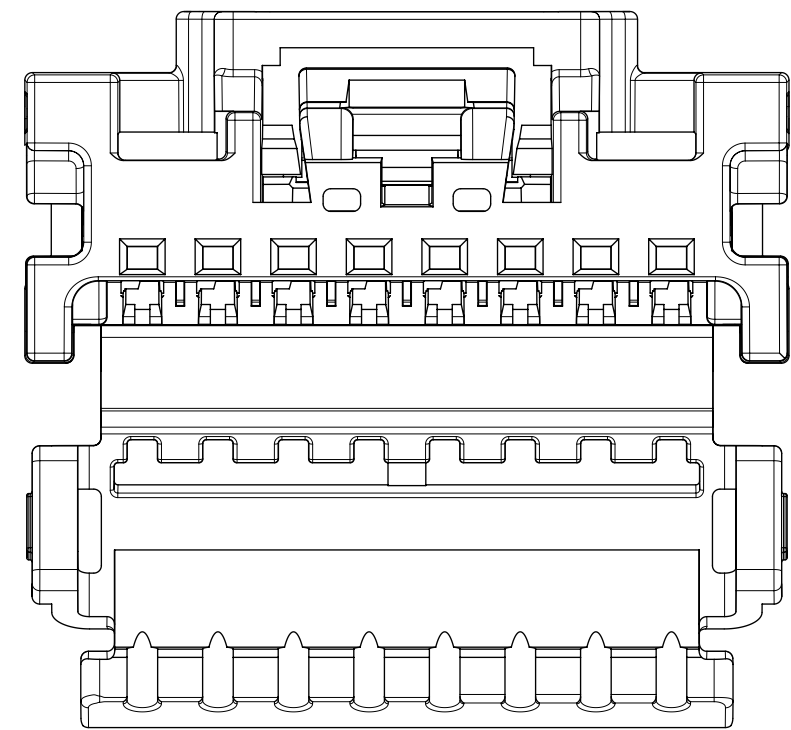
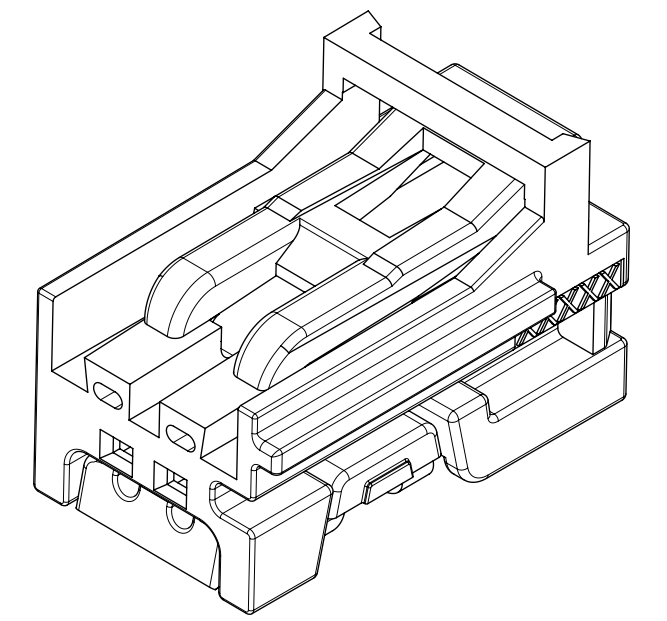
HINGE OPEN
2 CIRCUIT RECEPTACLE SHOWN
(AS SHIPPED)



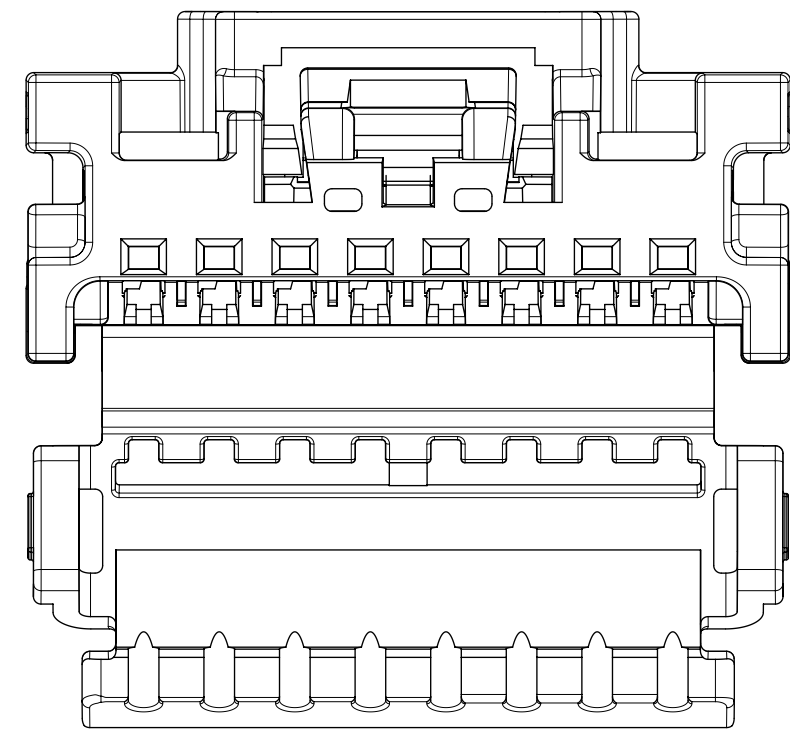
POLARIZATION
FEATURE
LOCATION

POLARIZATION
FEATURE
LOCATION

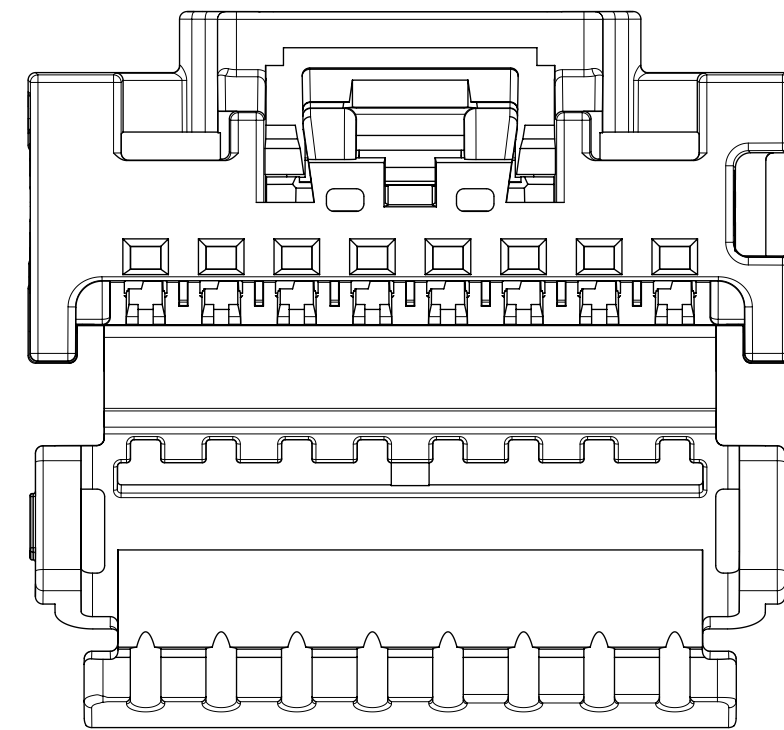
HINGE CLOSED
2 CIRCUIT RECEPTACLE SHOWN
(AS ASSEMBLED)



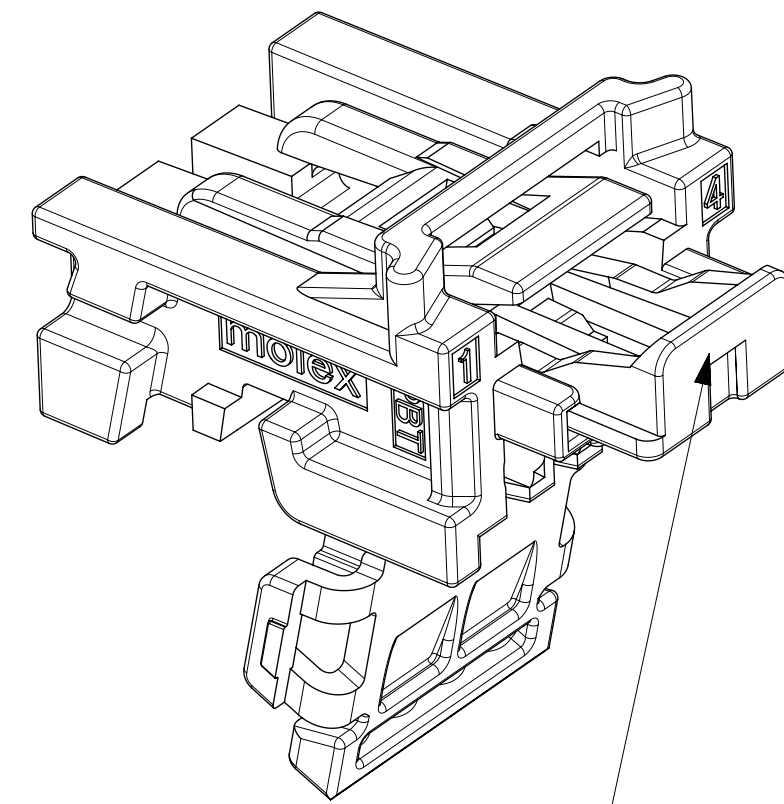
8 CIRCUIT RECEPTACLE BRIDGED
POLARIZATION OPTION A



8 CIRCUIT RECEPTACLE BRIDGED
POLARIZATION OPTION B

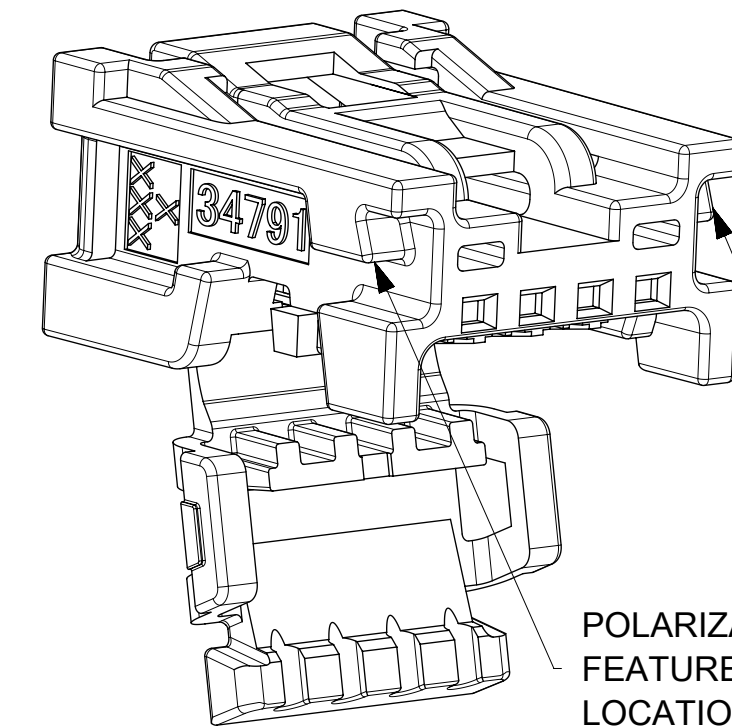


8 CIRCUIT RECEPTACLE BRIDGED
POLARIZATION OPTION C



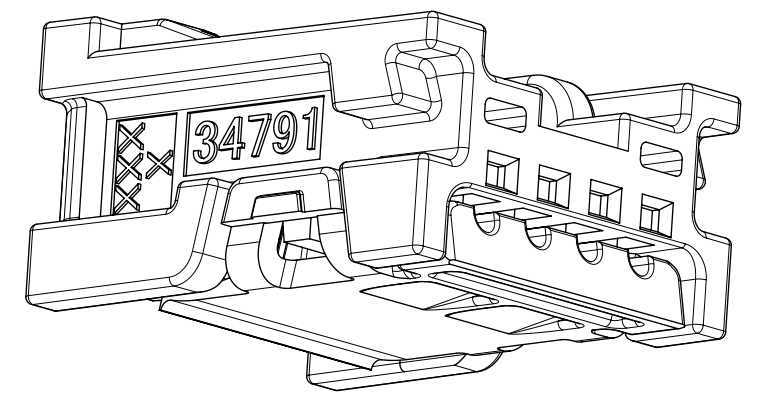
MINI50 WITH BRIDGE OPTION
COMES WITH CPA TRAY

HINGE OPEN
4 CIRCUIT RECEPTACLE SHOWN
(AS SHIPPED)



POLARIZATION
FEATURE
LOCATIONS

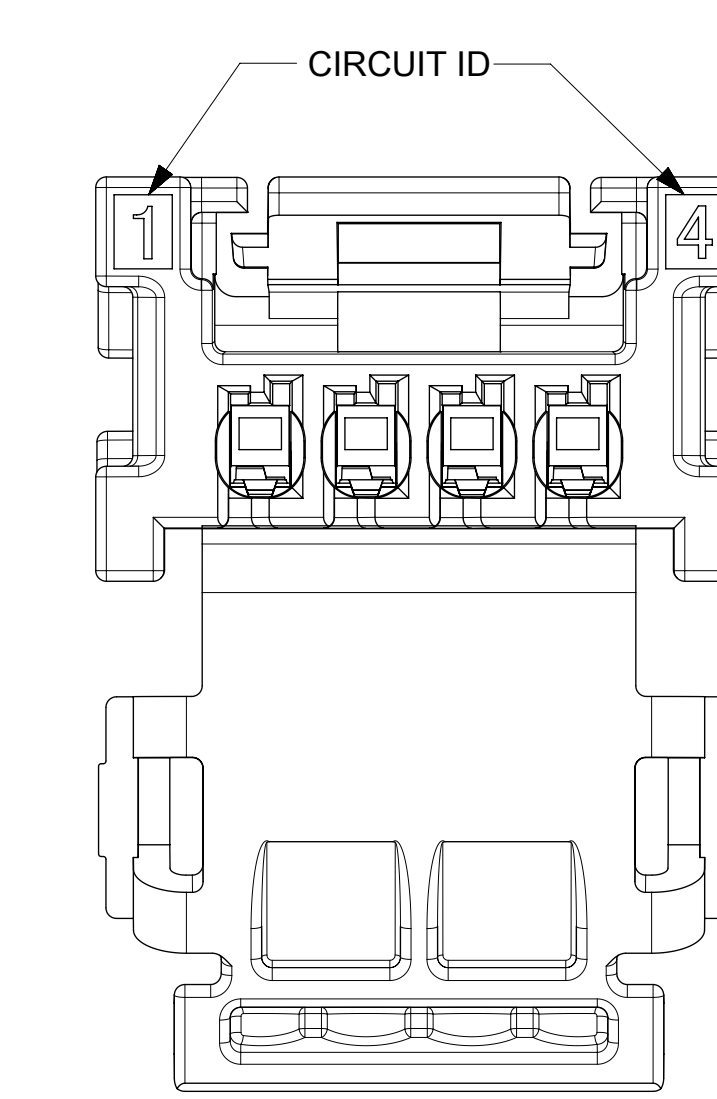
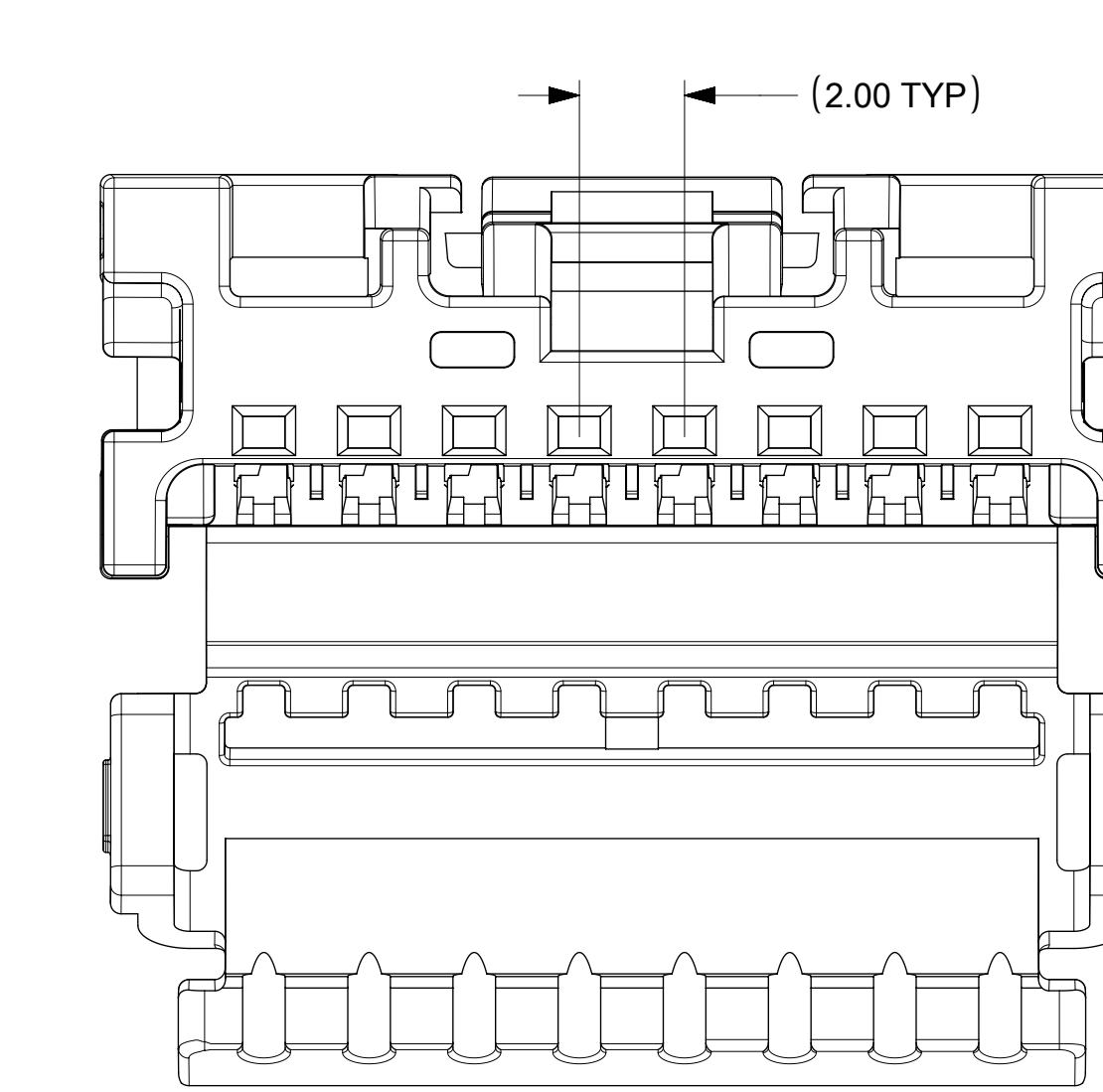
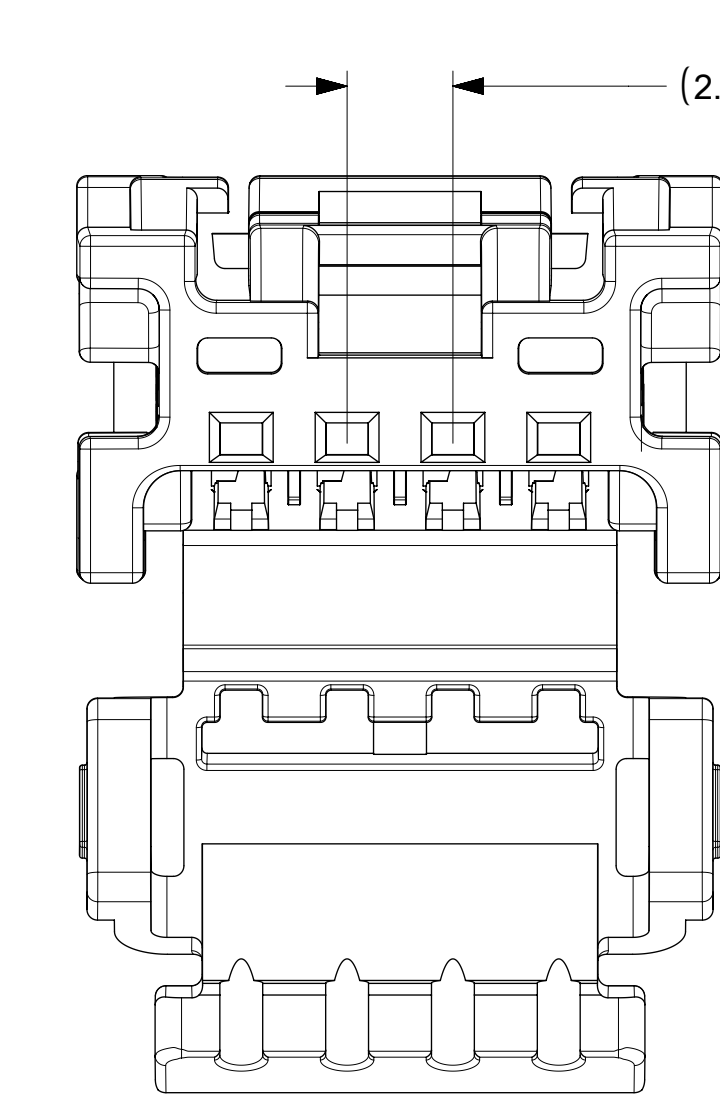
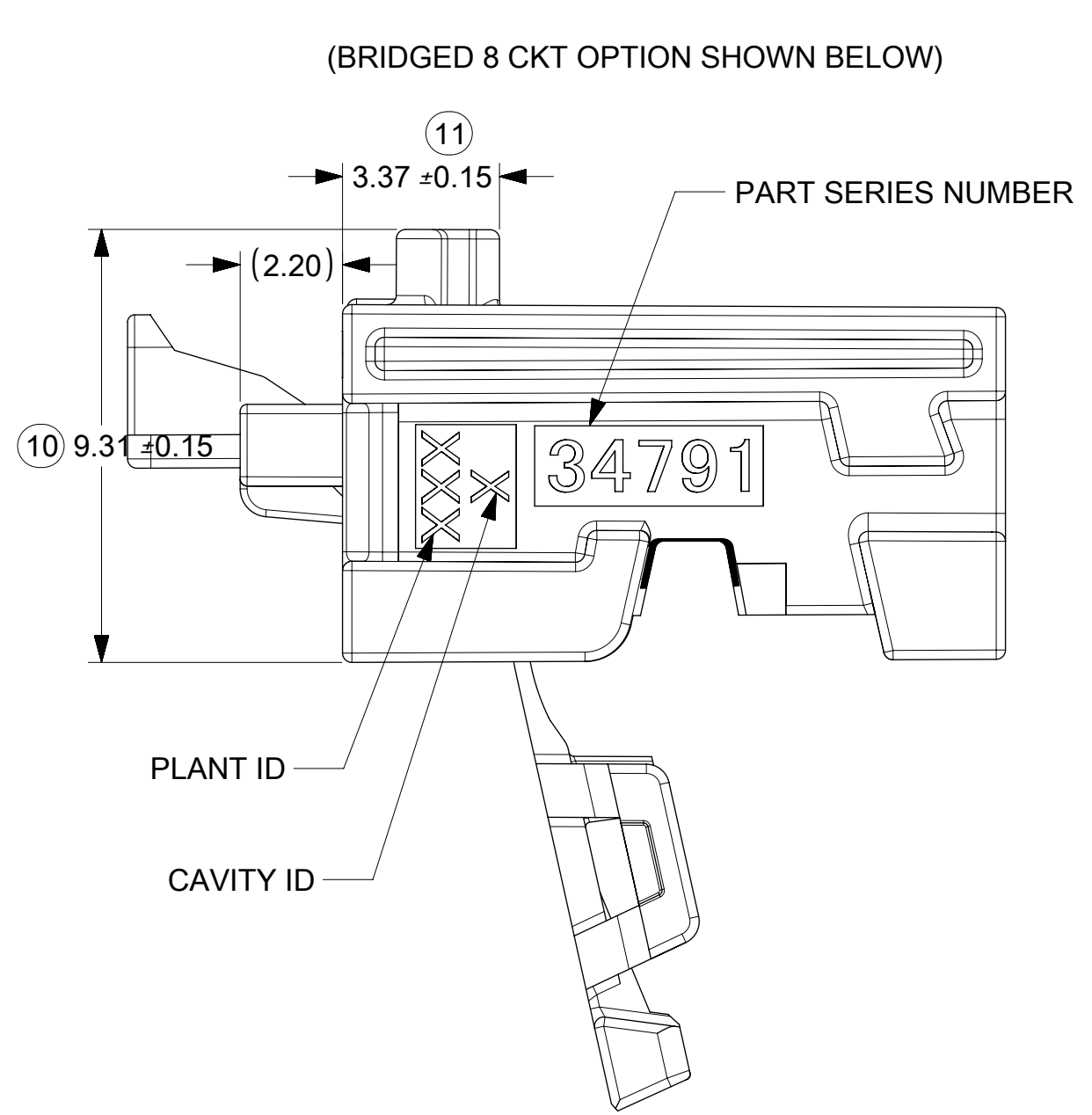
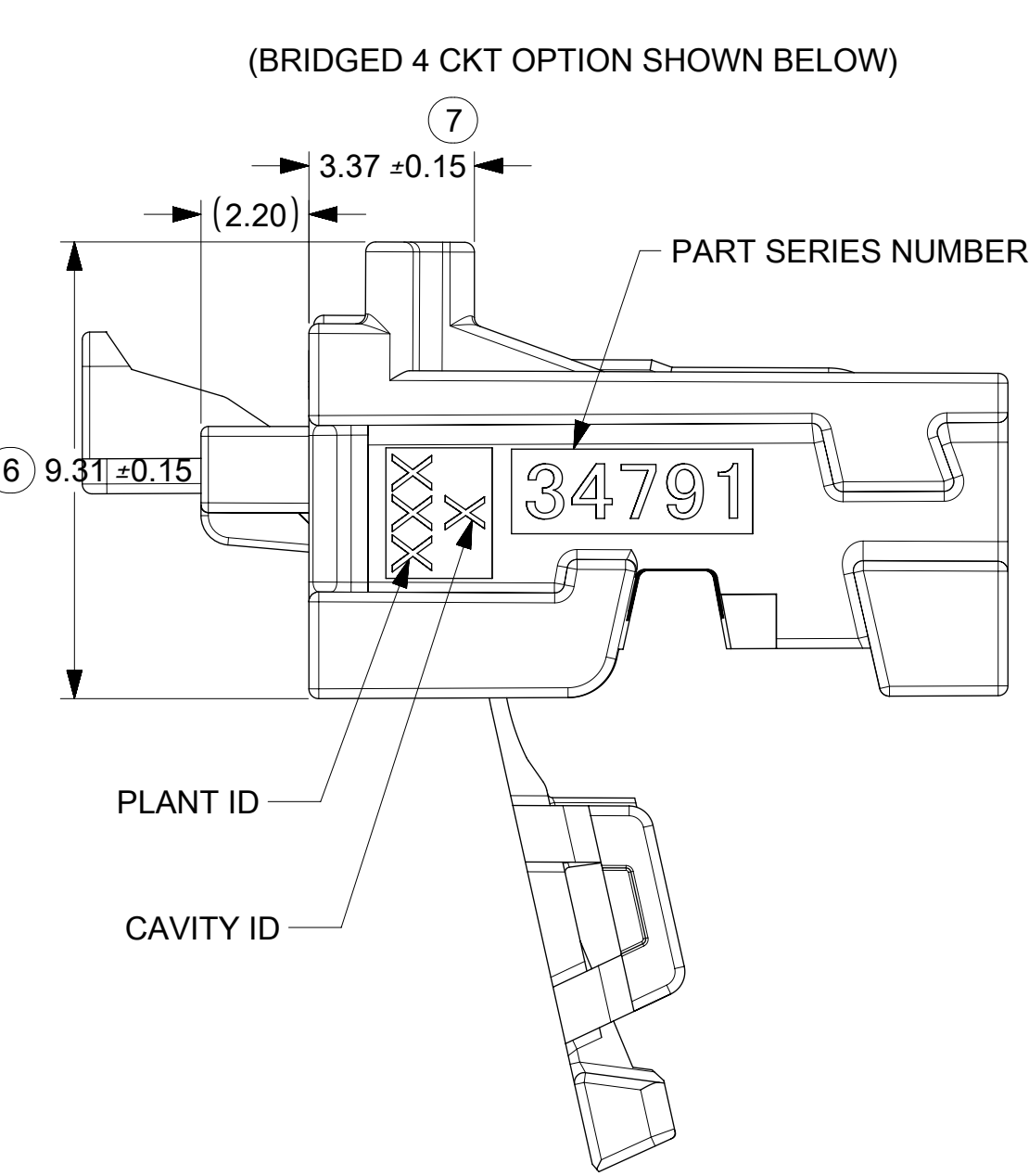
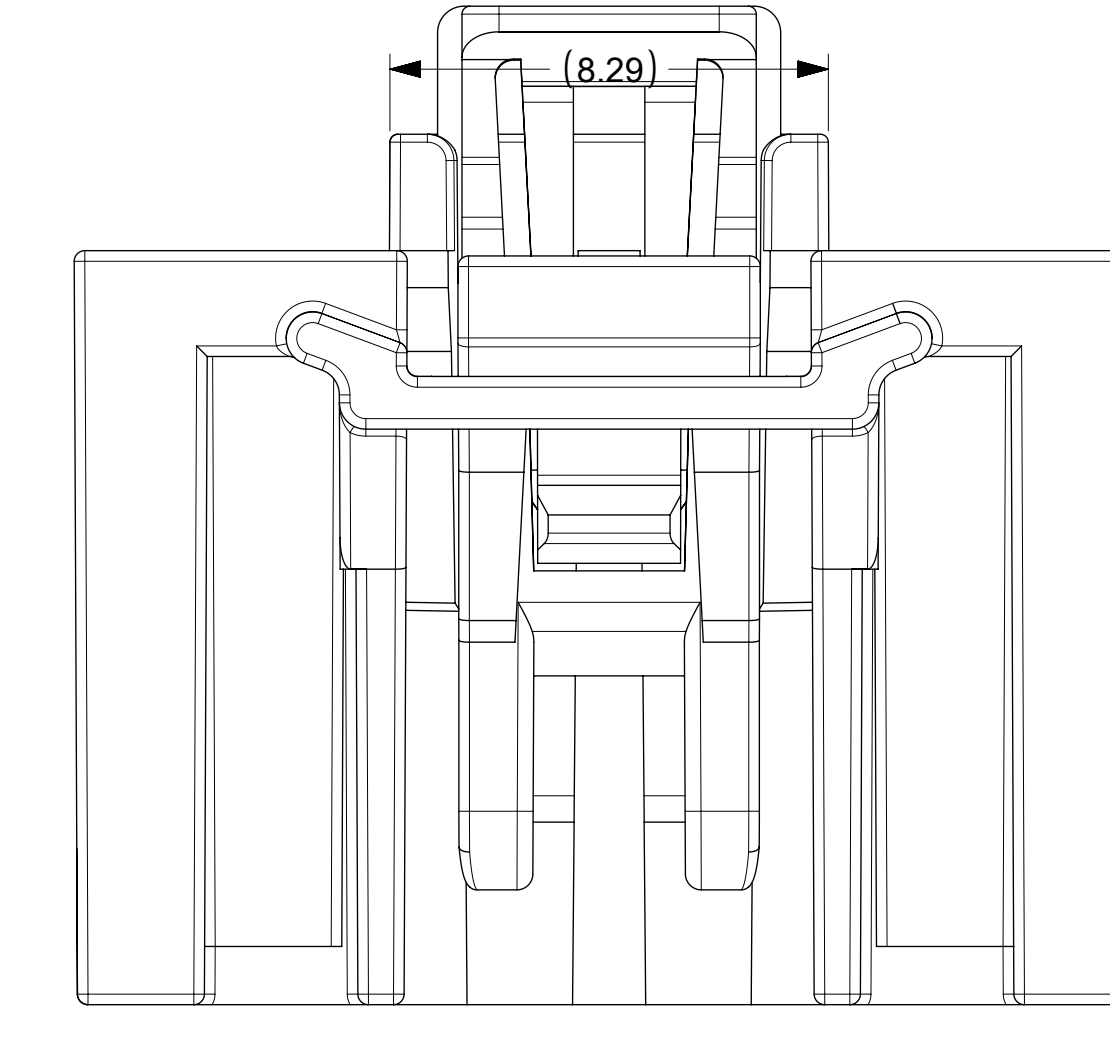
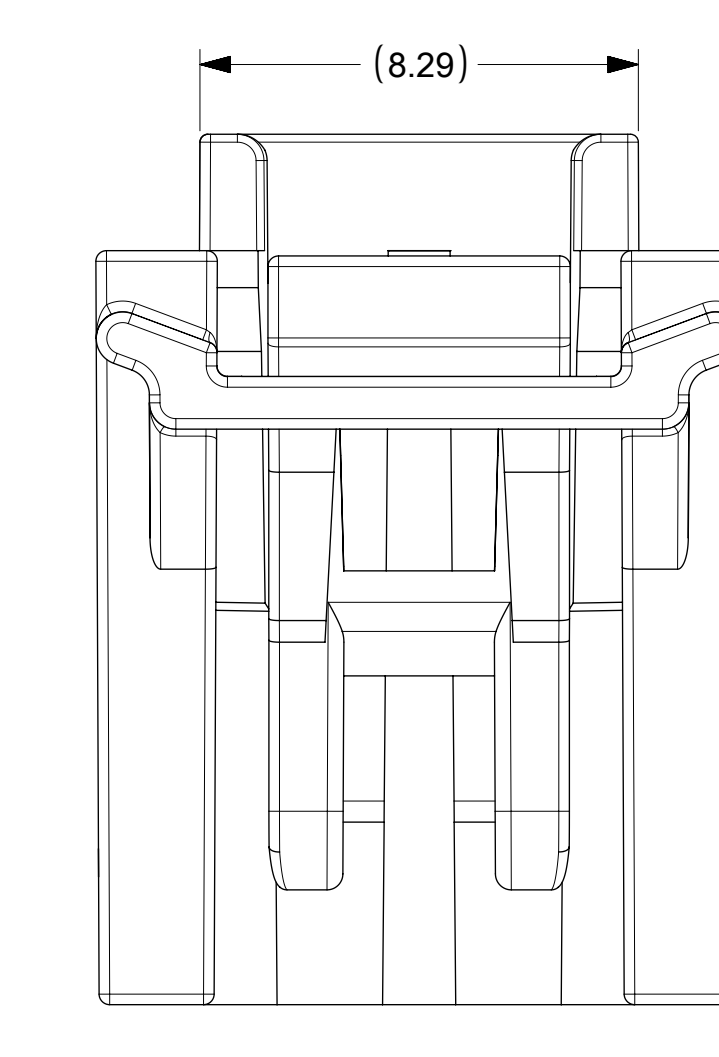
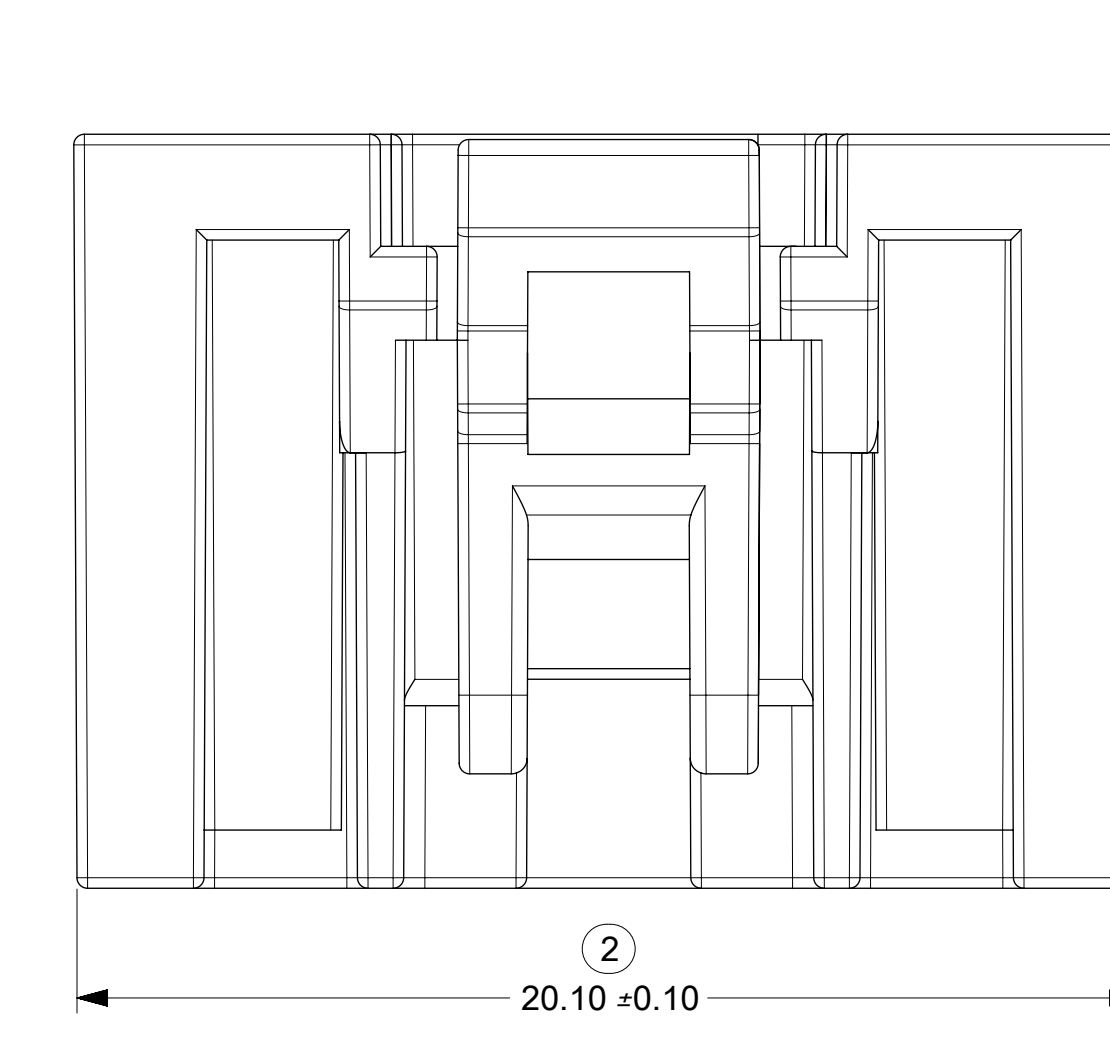
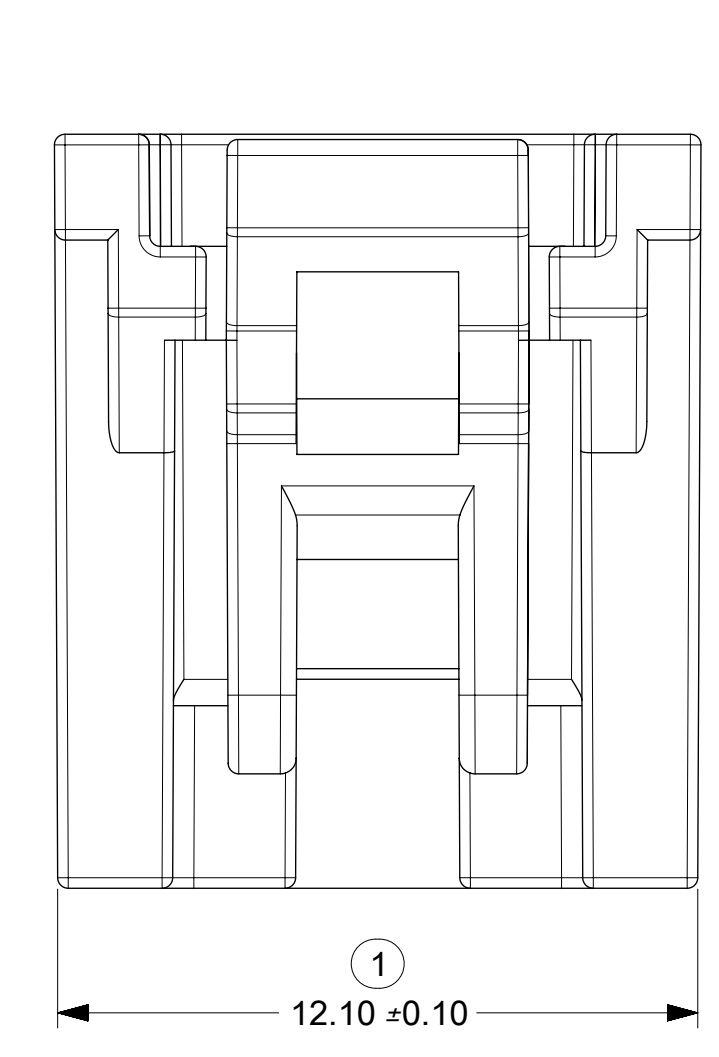
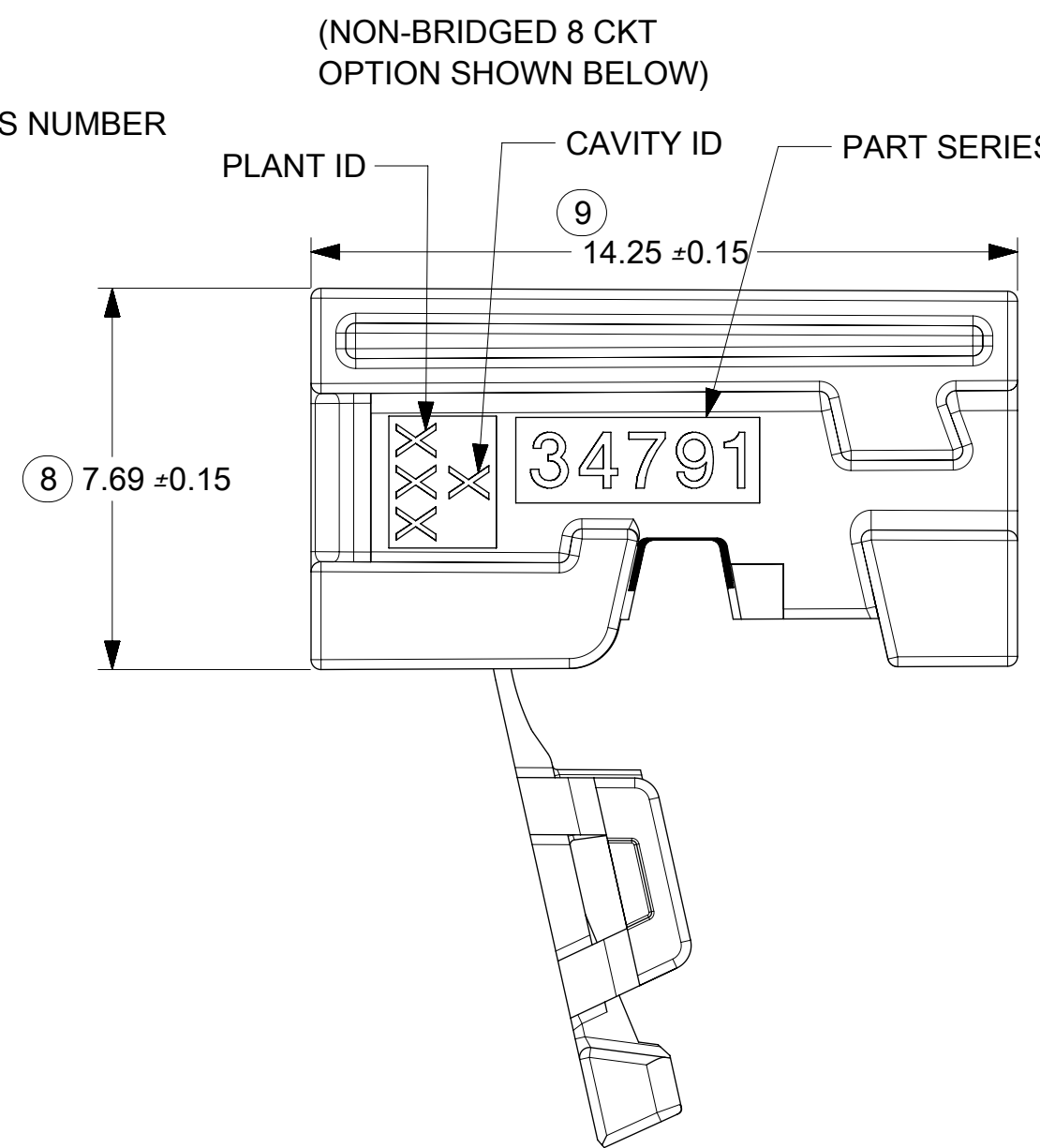
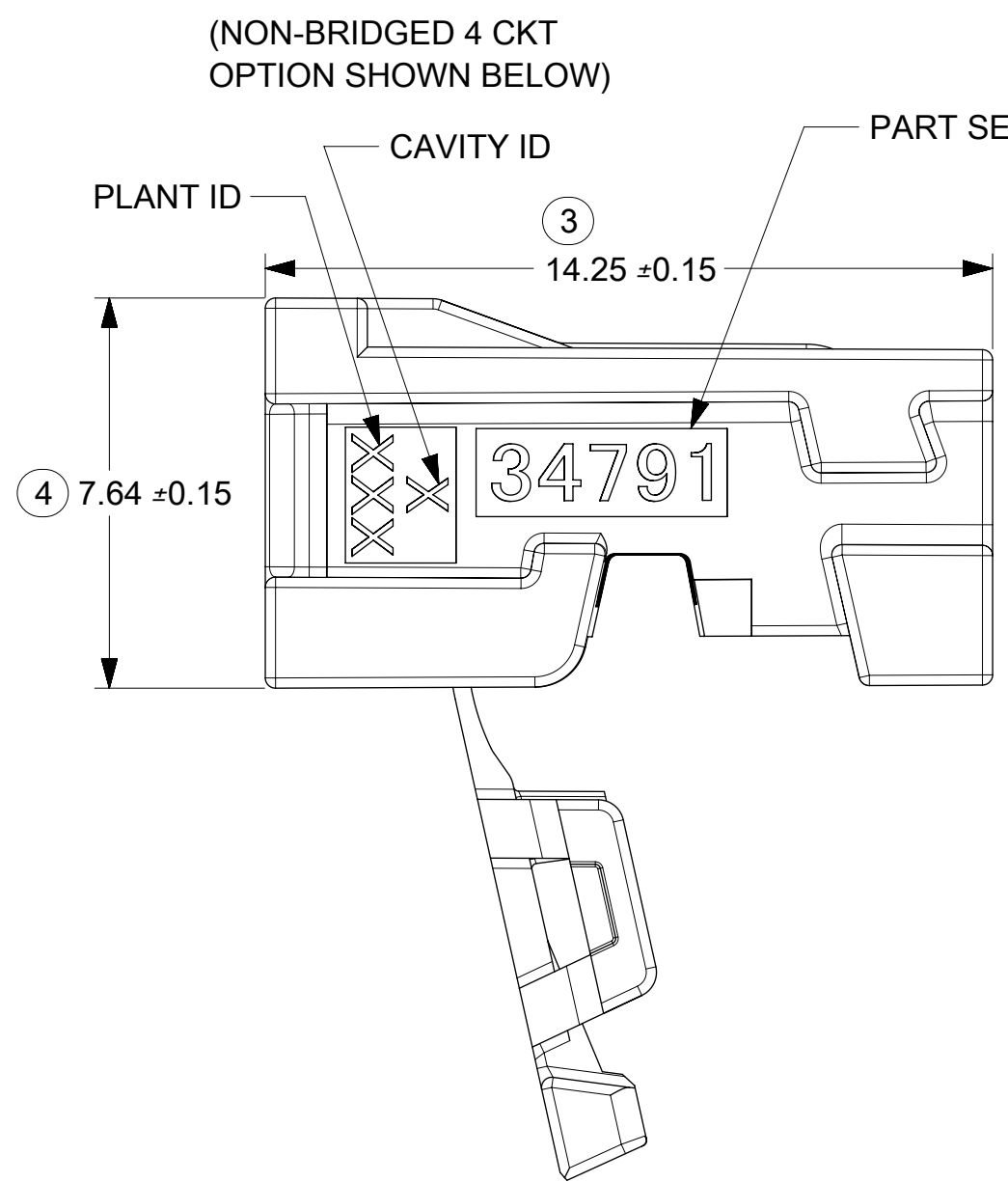
HINGE CLOSED
4 CIRCUIT RECEPTACLE SHOWN
(AS ASSEMBLED)



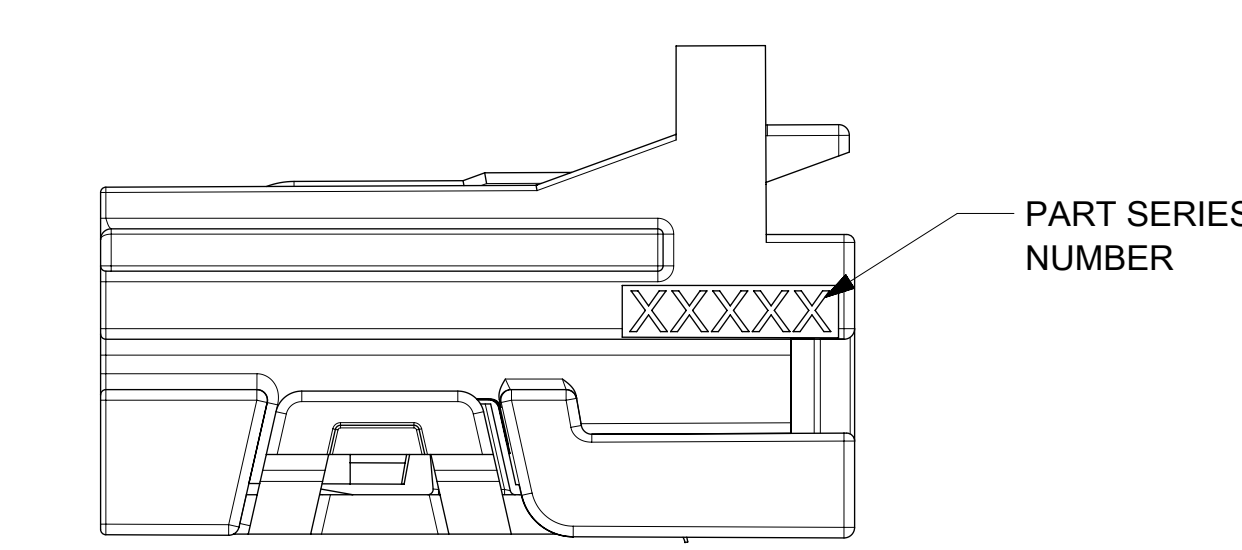
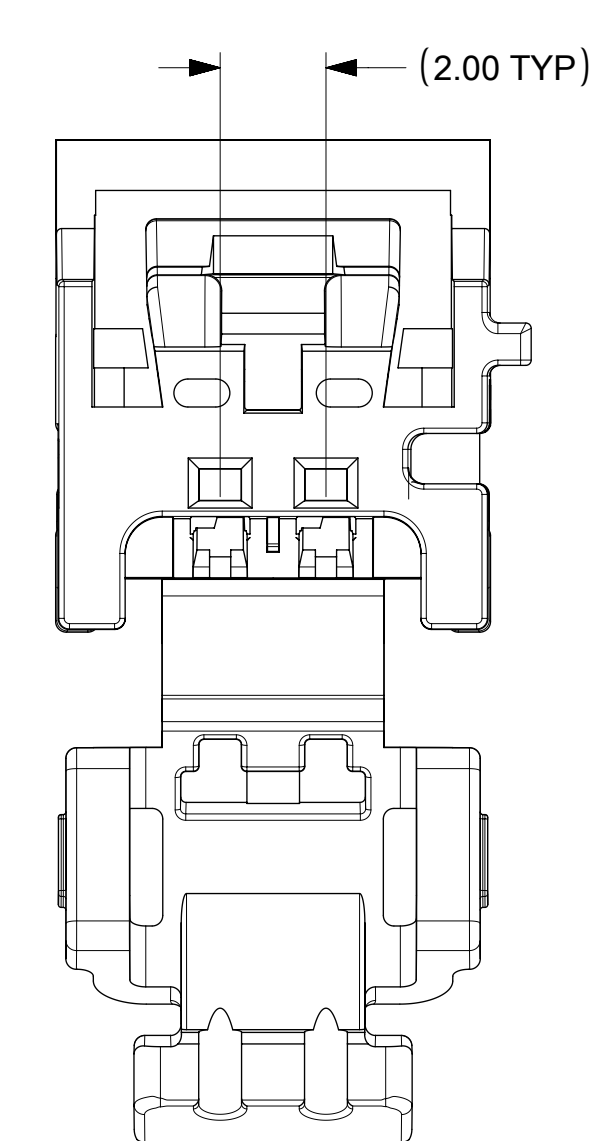
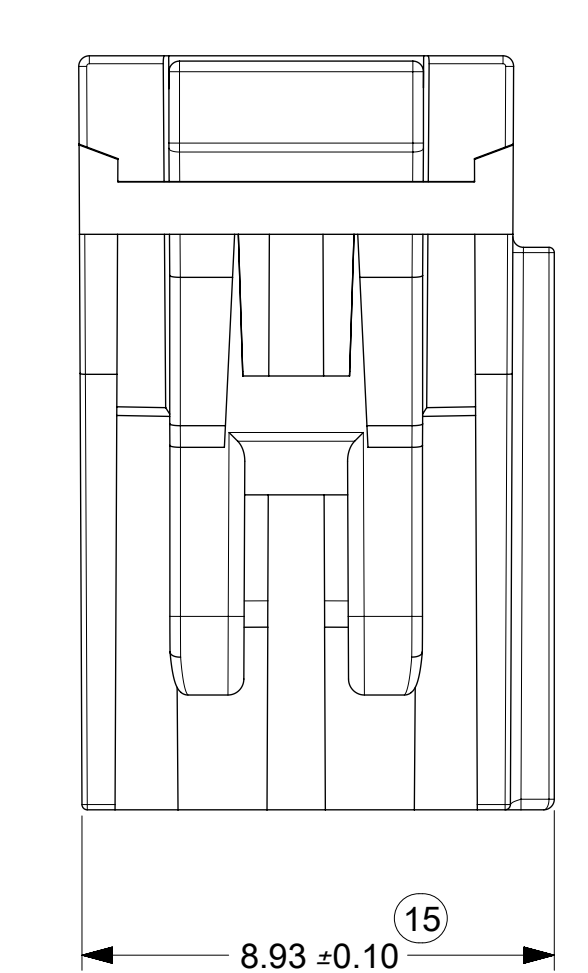
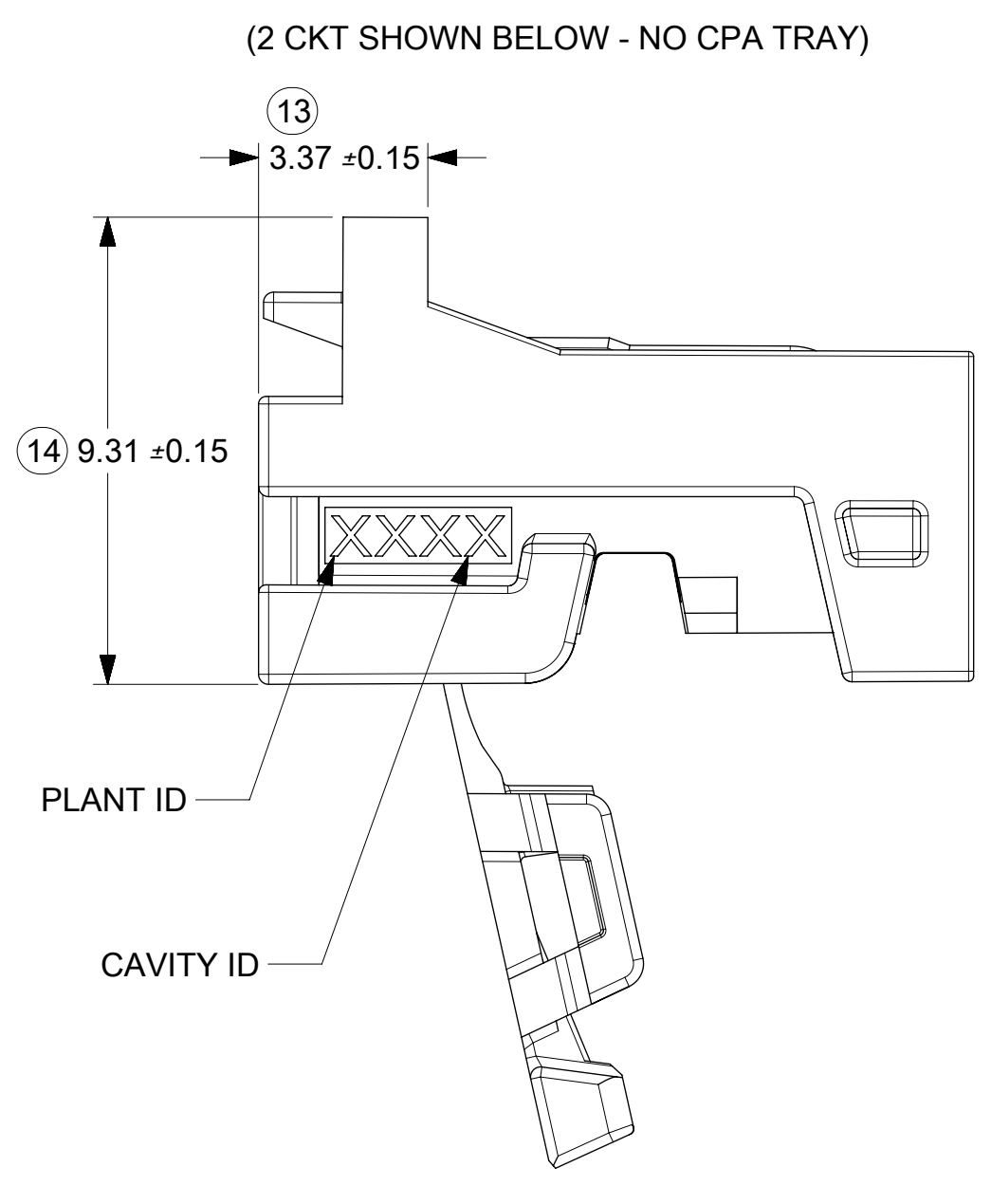
*REFER TO SD-34824-003 FOR
CPA-RECEPTACLE ASSEMBLIES

THIS DRAWING CONTAINS INFORMATION THAT IS PROPRIETARY TO MOLEX ELECTRONIC TECHNOLOGIES, LLC AND SHOULD NOT BE USED WITHOUT WRITTEN PERMISSION

EC NO: 608500 DRWN: JOYA CHKD: JDUNAJ REV APPR: JDUNAJ	2018/11/29 2018/12/03 2018/12/03	GENERAL TOLERANCES (UNLESS SPECIFIED)	DIMENSION UNITS MM ONLY	SCALE 5:1			
	4 PLACES ± 3 PLACES ± 2 PLACES ± 1 PLACE ± 0 PLACES ±	ANGULAR TOL ± °	DRWN BY JDUNAJ	DATE 2010/06/24		MINI50 SINGLE ROW RECEPTACLE SALES DRAWING	
	DRAFT WHERE APPLICABLE MUST REMAIN WITHIN DIMENSIONS	APPR BY SMARCEAU	DATE 2011/11/21	PRODUCT CUSTOMER DRAWING			
	L5	DRAWING SIZE D	THIRD ANGLE PROJECTION	SERIES 34791		MATERIAL NUMBER SEE TABLE	CUSTOMER GENERAL MARKET
	RELEASE STATUS	RELEASE DATE	DOCUMENT NUMBER SD-34791-001	DOC TYPE PSD		DOC PART 000	SHEET NUMBER 2 OF 5



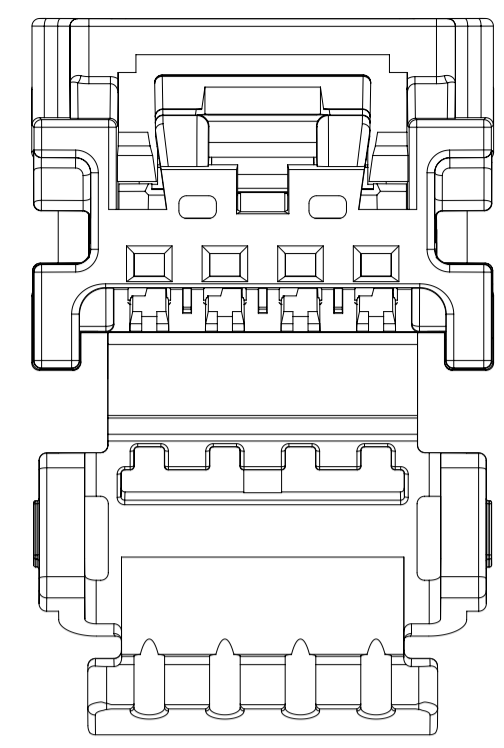
4 CKT RECEPTACLE SHOWN BELOW.
8 CKT RECEPTACLE HAS SIMILAR
CIRCUIT ID LOCATION.



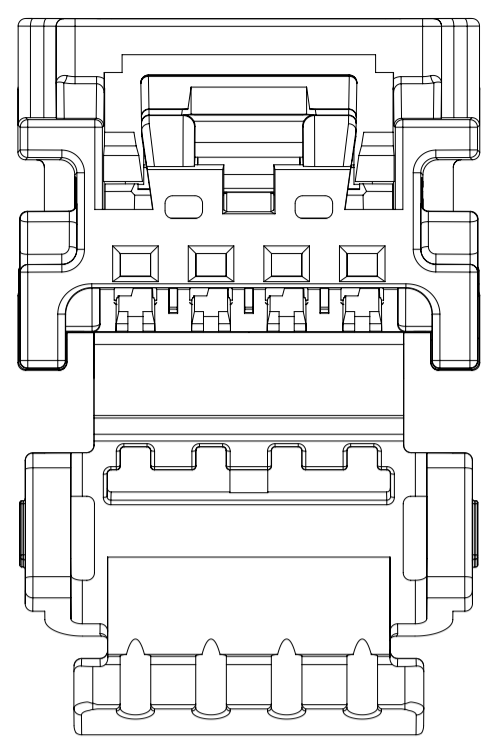
THIS DRAWING CONTAINS INFORMATION THAT IS PROPRIETARY TO MOLEX ELECTRONIC TECHNOLOGIES, LLC AND SHOULD NOT BE USED WITHOUT WRITTEN PERMISSION

EC NO: 608500 DRWN: JOYA CHKD: JDUNAJ REV/ APPR: JDUNAJ	2018/11/29	GENERAL TOLERANCES (UNLESS SPECIFIED) ANGULAR TOL ± ° 4 PLACES ± 3 PLACES ± 2 PLACES ± 1 PLACE ± 0 PLACES ± DRAFT WHERE APPLICABLE MUST REMAIN WITHIN DIMENSIONS	DIMENSION UNITS	SCALE			
	2018/12/03		MM ONLY	7:1			
	2018/12/03		DRWN BY	DATE			
			JDUNAJ	2010/06/24			
			CHKD BY	DATE			
	BDICK	2010/06/24			PRODUCT CUSTOMER DRAWING		
	APPR BY	DATE			SERIES	MATERIAL NUMBER	CUSTOMER
	SMARCEAU	2011/11/21			34791	SEE TABLE	GENERAL MARKET
	DRAWING SIZE	THIRD ANGLE PROJECTION			DOCUMENT NUMBER	DOC TYPE	DOC PART SHEET NUMBER
	D				SD-34791-001	PSD	000 3 OF 5

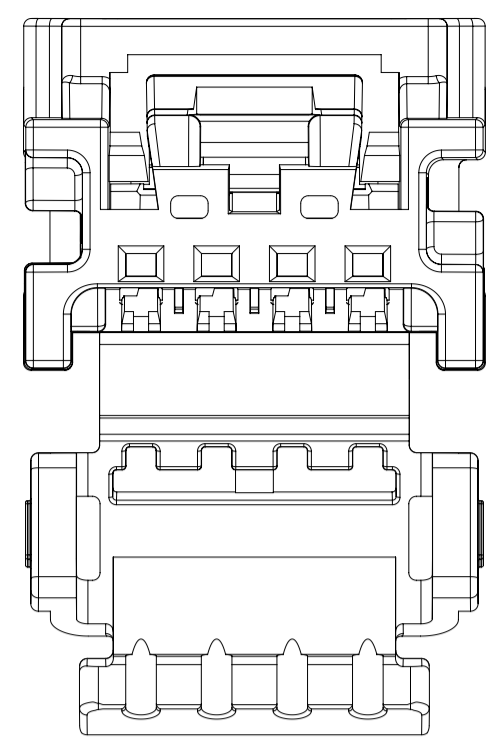
RELEASE STATUS	RELEASE DATE
----------------	--------------



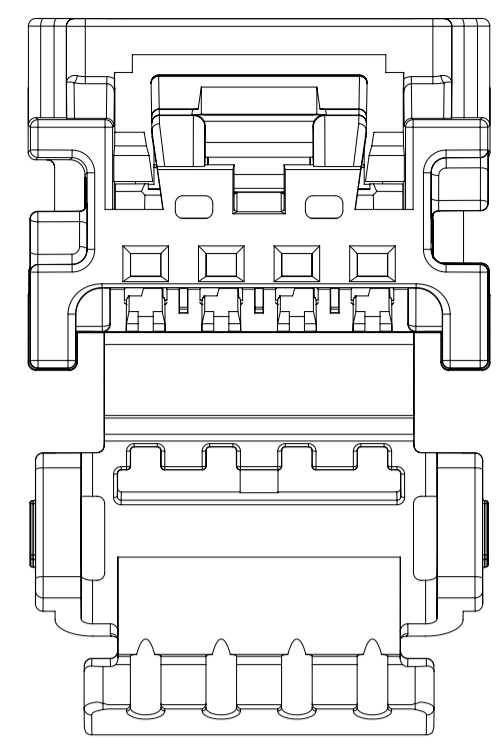
4 CTK BRIDGED RECEPTACLE W/CPA
POLARIZATION OPTION A



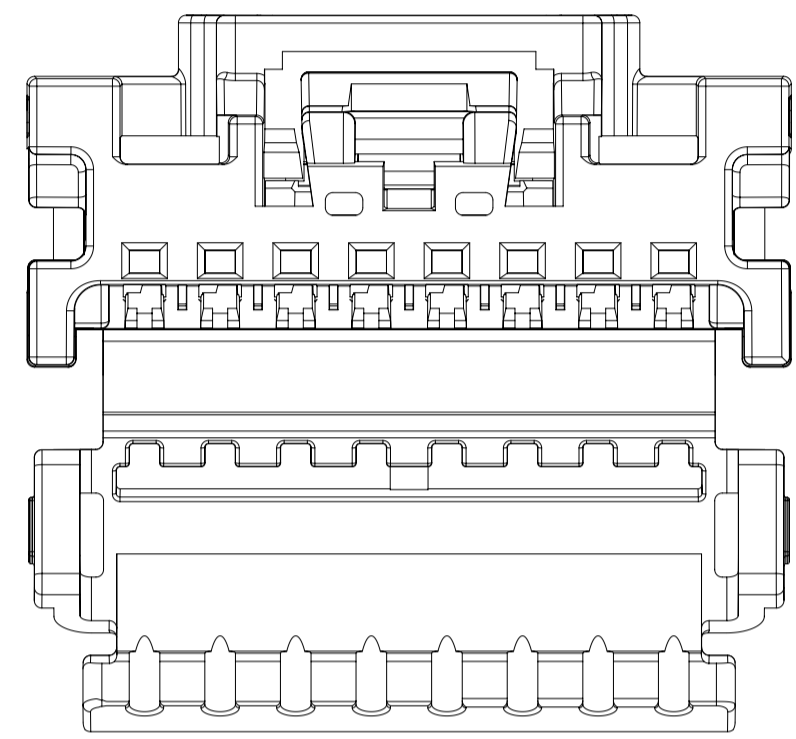
4 CTK BRIDGED RECEPTACLE W/CPA
POLARIZATION OPTION B



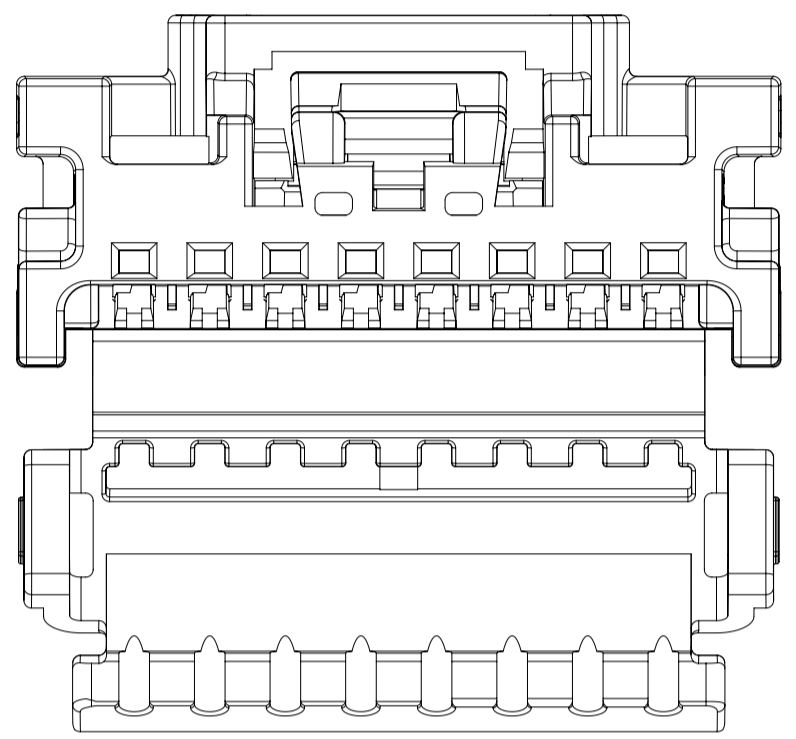
4 CTK BRIDGED RECEPTACLE W/CPA
POLARIZATION OPTION C



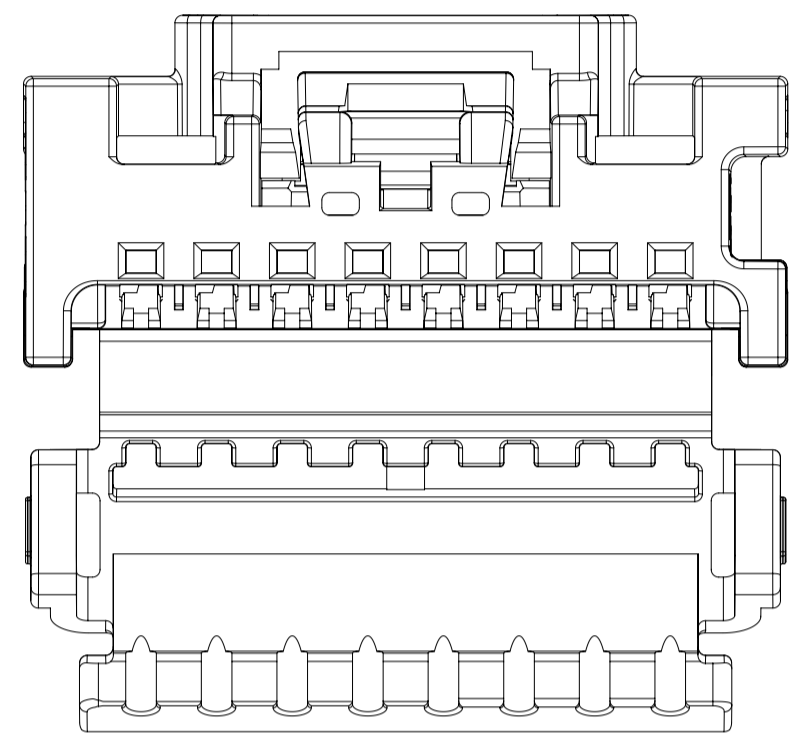
4 CTK BRIDGED RECEPTACLE W/CPA
POLARIZATION OPTION D



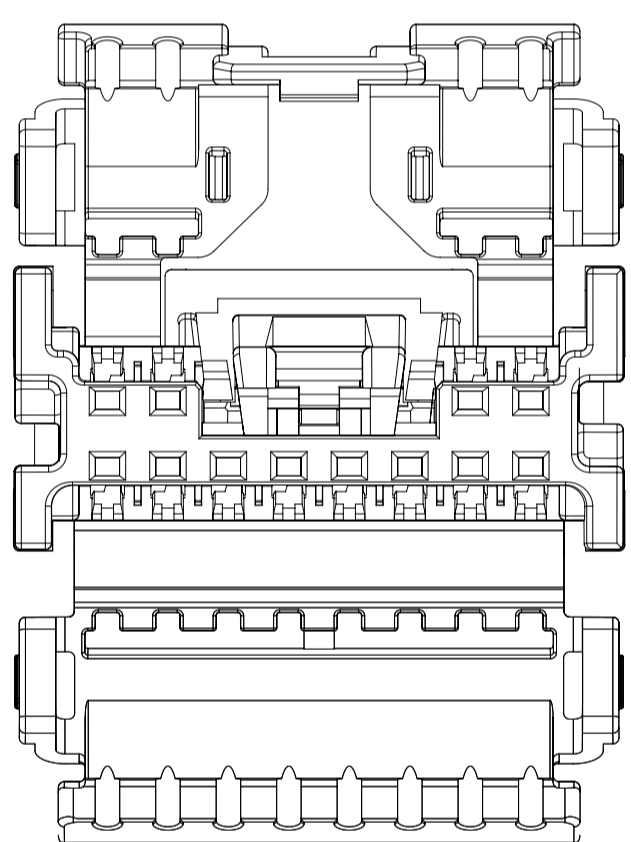
8 CTK BRIDGED RECEPTACLE W/CPA
POLARIZATION OPTION A



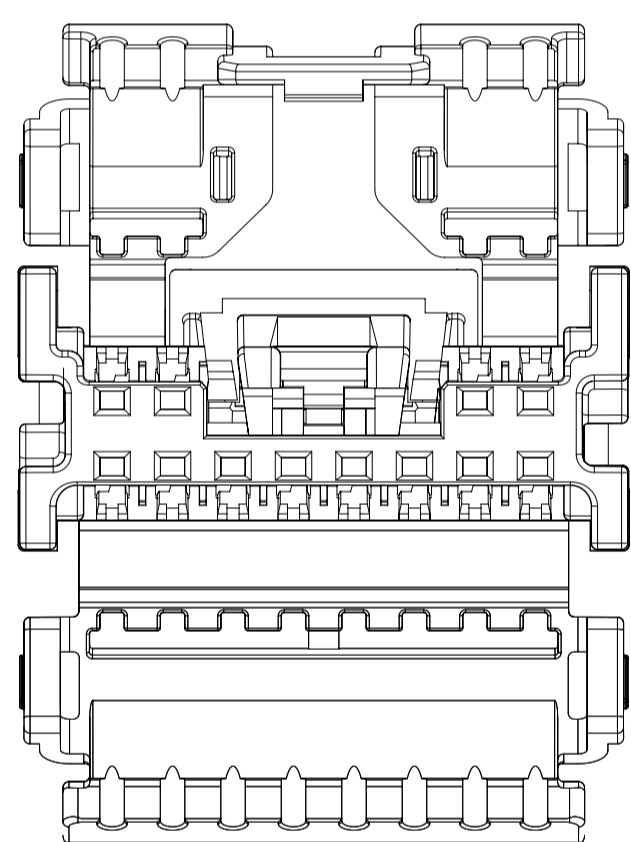
8 CTK BRIDGED RECEPTACLE W/CPA
POLARIZATION OPTION B



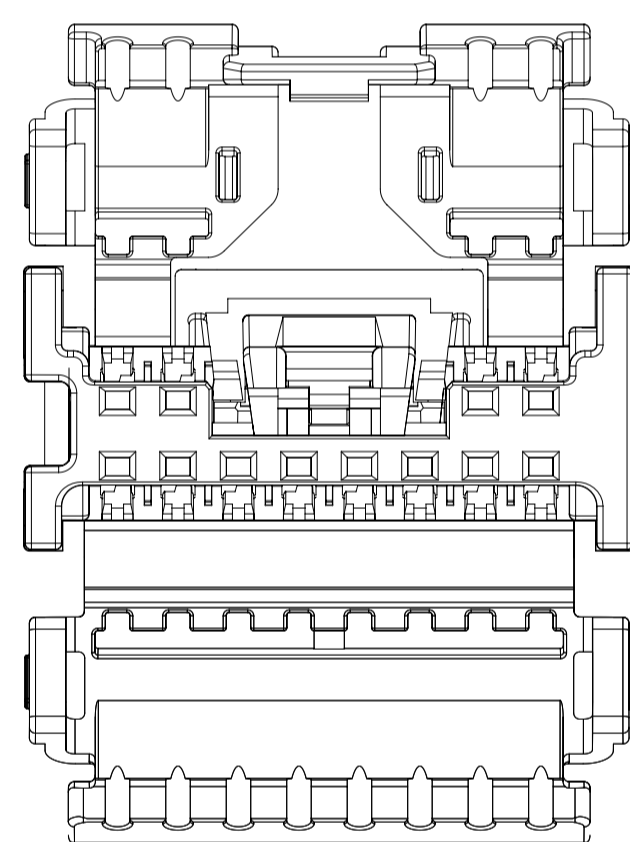
8 CTK BRIDGED RECEPTACLE W/CPA
POLARIZATION OPTION C



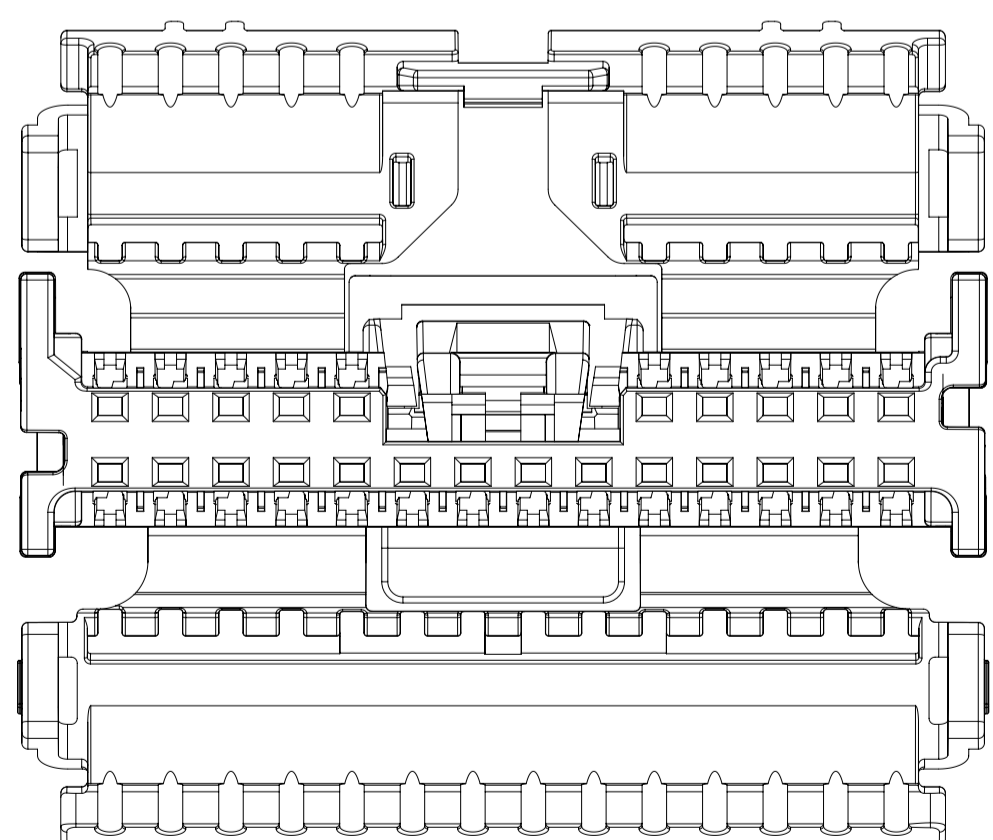
12 CTK BRIDGED RECEPTACLE W/CPA
POLARIZATION OPTION A



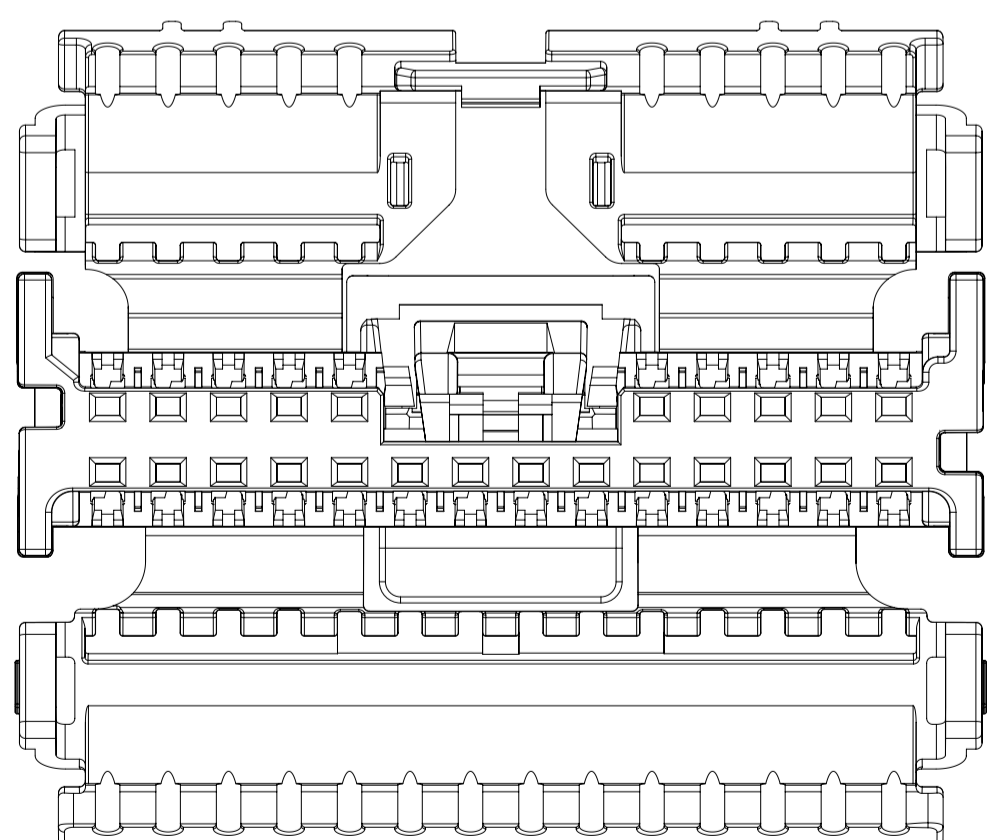
12 CTK BRIDGED RECEPTACLE W/CPA
POLARIZATION OPTION B



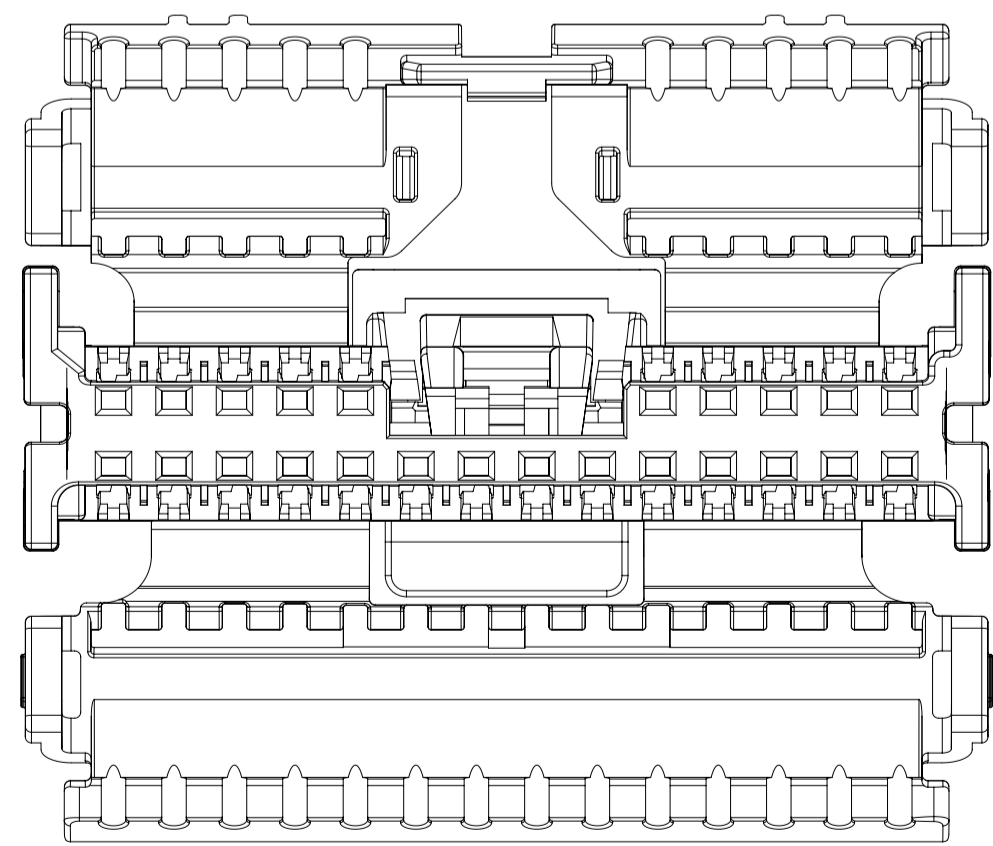
12 CTK BRIDGED RECEPTACLE W/CPA
POLARIZATION OPTION C



24 CTK BRIDGED RECEPTACLE W/CPA
POLARIZATION OPTION A



24 CTK BRIDGED RECEPTACLE W/CPA
POLARIZATION OPTION B



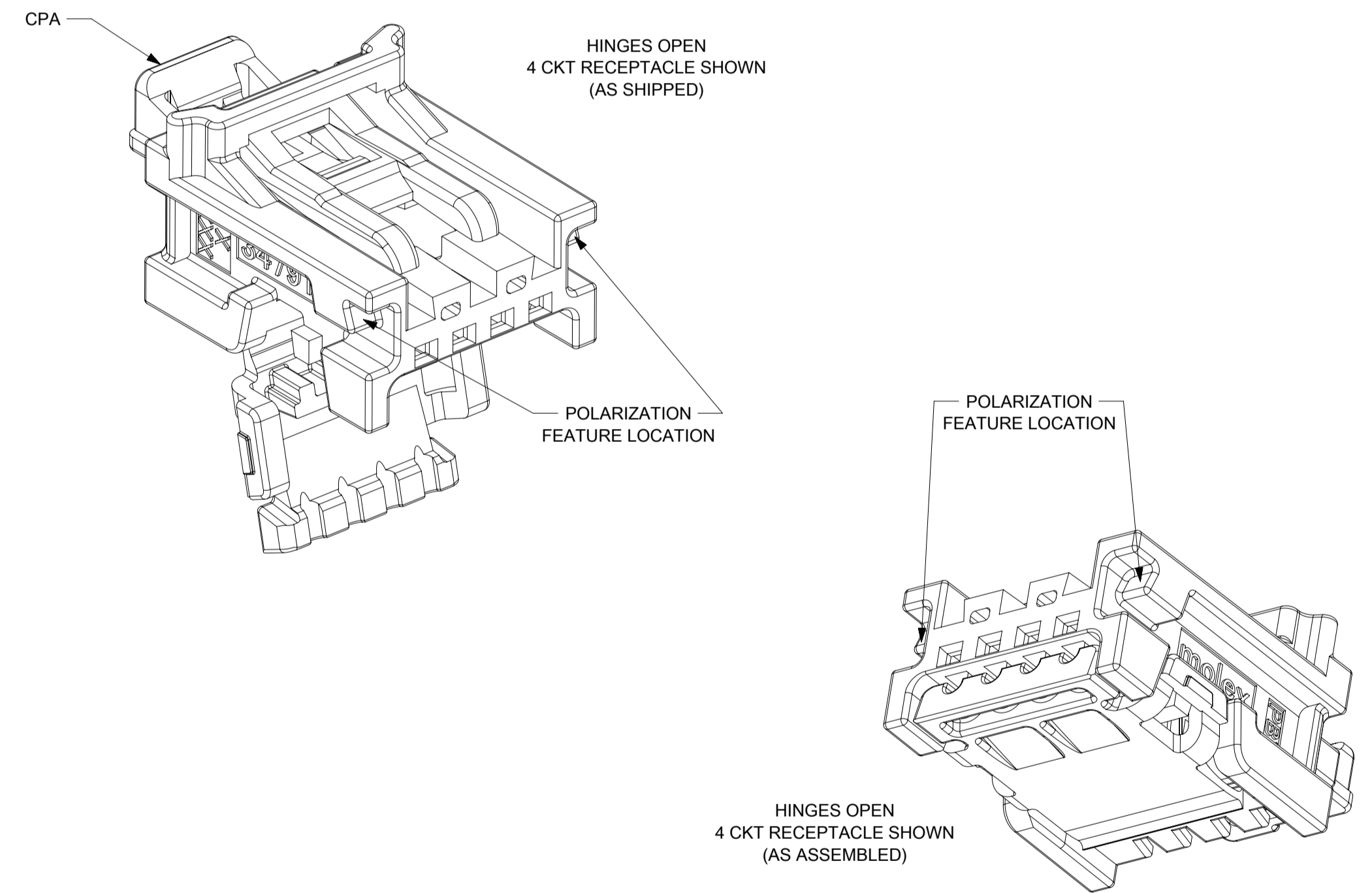
24 CTK BRIDGED RECEPTACLE W/CPA
POLARIZATION OPTION C

24CKT POLARIZATIONS SHOWN ARE REPRESENTATIVE FOR 16 AND 20CKT

INSPECTION BALLOON NUMBER
PER DRAWING REVISION: M2
LAST BALLOON USED: 21
ADDED BALLOON NUMBERS:
REMOVED BALLOON NUMBERS: 22-33

NOTES: VALID UNLESS OTHERWISE SPECIFIED

1. GENERAL:
 - a. APPLICATION SPECIFICATION SEE: AS-34791-020
 - b. PRODUCT SPECIFICATION SEE: PS-34791-020
 - c. PACKAGING SPECIFICATION PER MOLEX DRAWING: SEE CHART
 - d. PARTS MUST BE IN COMPLIANCE TO MOLEX CHEMICAL SUBSTANCES FOR PRODUCTS AND PACKAGING SPECIFICATION: QEHS-699000-301
 - e. DATA MUST BE SUBMITTED UNDER THE MOLEX PART NUMBER TO IMDS (COMPANY ID#13255)
 - f. FLAMMABILITY REQUIREMENT: PER ISO3795 OR GM3191
 1. BURN RATE 100 mm/MIN MAXIMUM
 2. MATERIAL MUST BE SELF EXTINGUISHING
 - g. VISUAL DEFECTS SHALL MEET COSMETIC STANDARD PS-45499-002 (Class B)
 - f. FOR TERMINAL USAGE, REFER TO MOLEX SALES DRAWING SD-560023-002
2. DESIGN - MATERIALS:
 - a. MATERIAL (4,8CKT): UNFILLED PBT
 - b. MATERIAL (12,16,20,24CKT): PA410 25% GF
3. DESIGN - GEOMETRY:
 - a. THIS IS A 100% CAD GENERATED PART. THE CAD MATHEMATICAL DATA IS THE MASTER FOR THIS PART. FOR DIMENSIONAL OR ANY INFORMATION NOT SHOWN ON THIS DRAWING, ANALYZE THE CAD MODEL.
 - b. GEOMETRIC DIMENSIONS AND TOLERANCES PER ASME Y14.5 - 2009
 - c. GENERAL TOLERANCES:
 - LINEAR: PER DIN 16901 CODE B FOR PRECISION ENGINEERING (SEE TABLE)
 - ANGULAR: $\pm 3^\circ$
 - d. EDGES AND UNDIMENSIONED DETAILS PER ISO13715
 - e. CORNERS SHOWN AS SHARP TO BE R 0.2 MAX
 - f. LETTERING SHALL BE 0.1 MAX RAISED IN 0.15 MAX RECESS PAD AND NOT PROTRUDE THE SURFACE. THIS INCLUDES RECYCLING CODE, PLANT ID, CAVITY ID, VENDOR ID, CIRCUIT ID, AND PART SERIES NUMBER.
 - g. DIMENSION APPLIES ONLY TO RECEPTACLES WITH LOCK BRIDGE OPTION.
4. DESIGN - FUNCTIONALITY:
 - a. HINGE DOES NOT AFFECT FUNCTION OF THE PART.



M8	DIMENSION ADDED ON SHEET 3
M6	ADDED DATUMS AND DATUM NOTE
M5	REMASTERING DRAWING
M2	UPDATED 24 CKT
REV	DESCRIPTION

QUALITY SYMBOLS F = 0 E = 0 E = 0 = 0 = 0 = 0 = 0 = 0 = 0 = 0 = 0 = 0	THIS DRAWING CONTAINS INFORMATION THAT IS PROPRIETARY TO MOLEX ELECTRONIC TECHNOLOGIES, LLC AND SHOULD NOT BE USED WITHOUT WRITTEN PERMISSION		GENERAL TOLERANCES (UNLESS SPECIFIED)	DIMENSION UNITS	SCALE	
	2019/03/27	2019/03/29	MM ONLY	5:1	MINI 50 SINGLE/DUAL ROW CPA-RECEPTACLE ASSEMBLY SALES DRAWING	
DRWN BY: SRUSS	CHKD: JDUNAJ	ANGULAR TOL $\pm 1.0^\circ$	DRWN BY: MYOUNG01	DATE: 2013/01/31		PRODUCT CUSTOMER DRAWING
REV: APPR: JDUNAJ		4 PLACES \pm	CHK'D BY:	DATE:	SERIES: 34824 MATERIAL NUMBER: SEE TABLE CUSTOMER: GENERAL MARKET	
		3 PLACES \pm	APPR BY: RBAUMAN	DATE: 2013/11/13		DOCUMENT NUMBER: SD-34824-003 DOC TYPE: PSD DOC PART: 001 SHEET NUMBER: 1 OF 4
		2 PLACES ± 0.1	DRAWING SIZE: A1	THIRD ANGLE PROJECTION		
		1 PLACE ± 0.2				
		0 PLACES \pm				
		DRAFT WHERE APPLICABLE MUST REMAIN WITHIN DIMENSIONS				

