



■ Features

- Single output to 65W
- 100-240Vac Universal input
- EN55032/EN55022/CISPR22 EMI Compatible
- Designed to meet UL60950
- Frequency: 50/60Hz
- OVP, OCP, OTP, and short circuit protection
- Efficiency: level VI
- QC3.0: Quick Charge 3rd edition
- PD2.0: Power Delivery 2nd edition
- USB-C output connector
- Case Temperature control
- Flipping A/C input plug
- Dimensions: 64x65x31mm



*Product images are for illustrative purposes only and may vary from actual design.

■ Applications

- Personal electronic devices

■ Model List

Model	Output Voltage	Output Current	Ripple & Noise	Power
WM065-PD2-A-USBC	5V	3A	≤150mV	65W
	9V	3A	≤150mV	65W
	12V	3A	≤150mV	65W
	15V	3A	≤150mV	65W
	20V	3.25A	≤150mV	65W

■ Technical Data

Voltage	100-240Vac
Line Frequency	50-60Hz
Frequency Range	47Hz/63Hz
Input Current	1.5A Max. @ 100-240Vac input & max. load
Inrush Current	80A Max. @ 100-240Vac input & max. load
Standby Power	0.1W no-load
No Load Power	0.21W Max. @230Vac input &No Load.
Efficiency	5V/3A ≥ 76.41%, 9V/3A ≥ 82.83%, 12V/3A ≥ 84.63%, 15V/3A,20V/2.25A ≥ 86.03%
Turn - on Delay Time	3S Max. @ 100Vac to 240Vac input & max. load.
Hold-up Time	10mS min. @ max. load & 115Vac/60Hz
Over-Voltage Protection	Over-voltage protection shall be included in the adaptor circuit. A single component failure must not cause an over voltage. The maximum output voltage under Single Fault Condition shall not exceed 25V
Over-Current Protection	The adaptor must have a current limiting function on the output voltage. in overload mode, the output must drop to a low voltage. The maximum output current under Single Fault Condition shall not exceed 4.5A
Short-Circuit Protection	The adaptor must withstand a continuous short circuit on the output without damage.

Technical Sales / Customer Service: +1-818-338-7788 • Email: sales@autec.com
 31328 Via Colinas Suite 102 • Westlake Village, CA 91362 USA • www.autec.com

■ **Technical Data(cont.)**

Operating Temperature	0°C ~ 40°C
Relative Humidity	10% ~ 90%
Altitude	Sea level to 5,000m
Vibration	: 0.35mm, 10 –55Hz, 25 minutes per cycle for each axis (X, Y, Z),test 10times
Cooling	Natural convection
Storage Temperature	-30°C ~ 70°C
Relative Humidity	10% ~ 90%
Altitude	Sea level to 2,000m
Vibration and Shock	The power supply shall be designed to withstand normal transportation vibration per MIL–STD-810D, method 514 and procedures X, as it is mounted in the chassis assembly and packed for shipping.
MTBF	When the power supply is operating within the limits of this specification the MTBF shall be at least 10,000 hours at 25°C (MIL-HDBK-217F).
Burn-In	The power supply shall withstand a Burn-In test under full load at 35°C~40°Croom temperatures, after test, product shall operate normally.
Dimensions	64x65x31mm

Note: 20MHz Bandwidth 10uF Ele. Cap.0.1uFCer. Cap. At 100-240Vac for measuring Ripple & Noise

■ **Safeties/EMI**

Safety Standard	TBA
Insulation Resistance	10 MΩ min. at 500 VDC
Dielectric Strength (Hi-Pot)	Primary to Secondary AC3000V, 5mA per minute
Leakage Current	0.25mA
IEC61000-4-2 Electrostatic Discharge (ESD)	Static – discharge test by contact or air should be conducted with Static – discharge tester, energy storage capacitance of 150pF, and discharge resistance of 330Ω. ±8KV air discharge, ±4KV contact discharge, Performance Criterion B.
IEC61000-4-3 Radiated Electromagnetic Fields(RS)	Radio- frequency Electromagnetic Field Susceptibility Test, RS, 80-1000MHz,3V/m, 80%AM(1KHz), Performance Criterion A.
IEC61000-4-4 Electrical Fast Transient / Burst (EFT)	Power Line to Line/L-L: 1KV Performance Ct
EN61000-4-5 Lightning Surge Attachment	differential mode: class 2, 1KV
IEC61000-4-6 Conducted Radio Frequency Disturbances (CS)	Conducted Radio Frequency Disturbances Test, CS, 0.15-80 MHz, 3V/m, 80%AM, 1KHz, Performance Criterion A
IEC61000-4-11 Voltage Dips/Short Interruption/Variations	Voltage Dips, 30% reduction- 10ms, Performance Criterion B, 60%, Reduction – 100ms, Performance Criterion C, Voltage Interruptions>95%, Reduction- 5000ms, Performance Criterion C
Hazardous Substances	EU Directive 2011/65/EU "RoHS" EU Directive 2012/19/EU "WEEE"

Autec Power Systems' (Autec) Power Supplies are Hi-Pot tested during the manufacturing process. Autec assumes no responsibility for secondary Hi-Pot testing at customer location or designated production line(s). Should customer require further Hi-Pot testing, at their own production line, following assembly of the Power Supply into the customer's assembled fixture, Autec requests advance notice. This request must be communicated to Autec in a timely manner and is recommended to be requested at time of issuing each purchase order.

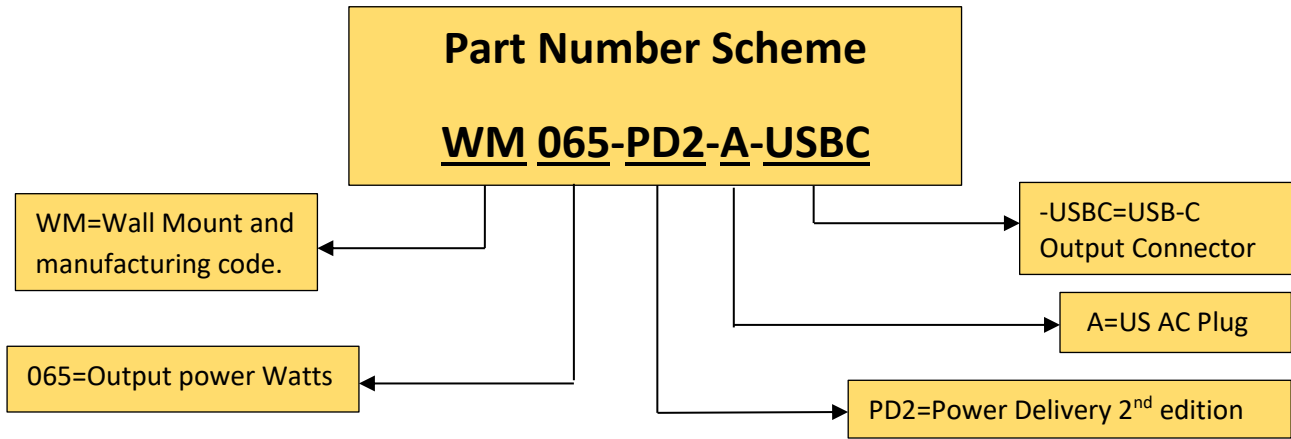
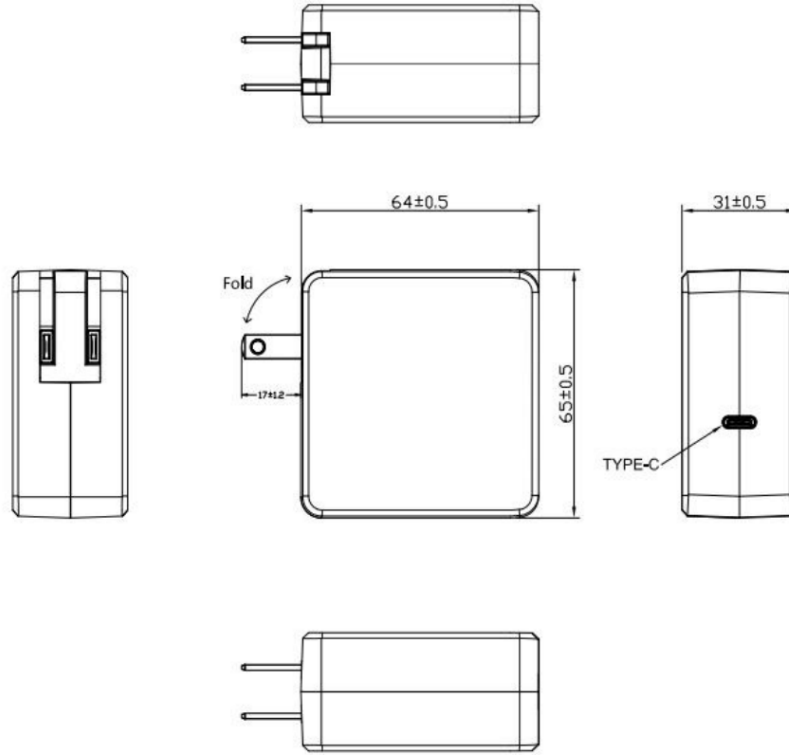
Technical Sales / Customer Service: +1-818-338-7788 • Email: sales@autec.com

31328 Via Colinas Suite 102 • Westlake Village, CA 91362 USA • www.autec.com

June 7, 2022

2 / 3

■ **Mechanical Diagram**



*Product images are for illustrative purposes only and may vary from actual design.

*Specifications are subject to change without notice. Autec is not responsible for issues arising from errors or omissions.