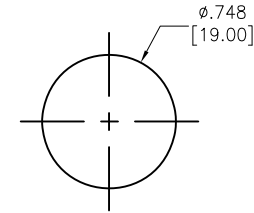
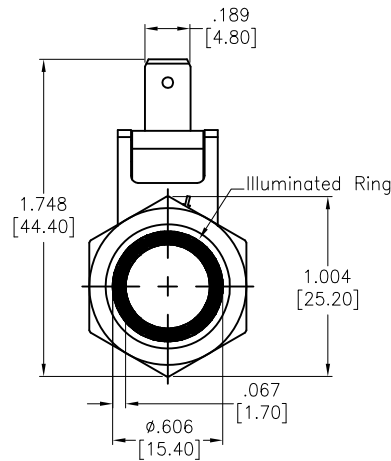
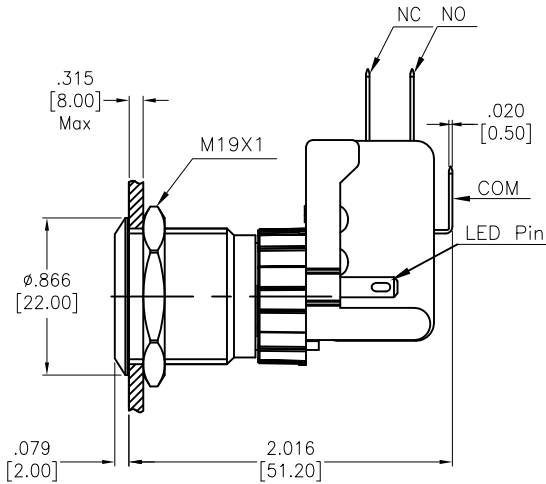


Rev	AWO #	Description	Date	Appr
-		RELEASED	11/2/21	

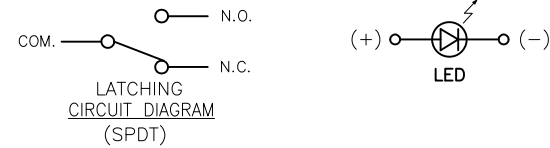
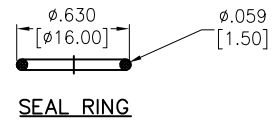
APPROVED: \_\_\_\_\_  
DATE: \_\_\_\_\_ TITLE: \_\_\_\_\_



RECOMMENDED PANEL CUT

SW-PB7-06LB22FFRXXXX

LED Ring Color		LED Voltage	
R	Red	6V	6V AC/DC
G	Green	12V	12V AC/DC
Y	Yellow	24V	24V AC/DC
O	Orange	110V	110V AC/DC
B	Blue	220V	220V AC/DC
W	White		



**SPECIFICATIONS:**

Material:  
Body: POM, Rated UL94V-0  
Bushing: Stainless Steel, Varnish polished  
Button: Stainless Steel, Varnish polished  
Contact Material: Silver Alloy (4.8mm)  
Terminal: Brass, Silver plated  
Electrical:  
Contact resistance: 50 mΩ max.  
Insulation resistance: 1000M ohms min @ 500V DC.  
Dielectric withstanding voltage: 1500V RMS, 50Hz.  
Electrical Life: 50,000 cycles min at full load.  
Temperature Rating:  
Operating temperature: -25°C to +55°C  
Environmental:  
IP65 Front Panel Protection  
Lead free, RoHS compliant



UNLESS OTHERWISE SPECIFIED ALL DIMENSIONS ARE INCHES [MM]. TOLERANCES: EXCEPT AS NOTED

INCHES		HOLES	
.X	± .10	∅X	± .10
.XX	± .020	∅.XX	± .015
.XXX	± .015	∅.XXX	± .010

**ADAM TECH**  
909 Rahway Avenue,  
Union, NJ 07083  
Phone: 908-687-5000  
Fax: 908-687-5710

DRAWN	JJ	11/2/21
CHECKED	RC	11/2/21
APPROVED		

TITLE  
**SWITCH, ANTI-VANDAL, PUSH BUTTON, HIGH CURRENT, SPDT, 19mm, LATCHING, ON-ON**

THIS DRAWING CONTAINS INFORMATION THAT IS PROPRIETARY AND SHOULD NOT BE USED WITHOUT PRIOR WRITTEN PERMISSION FROM ADAM TECH

SIZE X	PART NO. SW-PB7-06LB22FFRXXXX	REV. -
REF: S00198T	SCALE: NTS	SHEET 1 OF 1