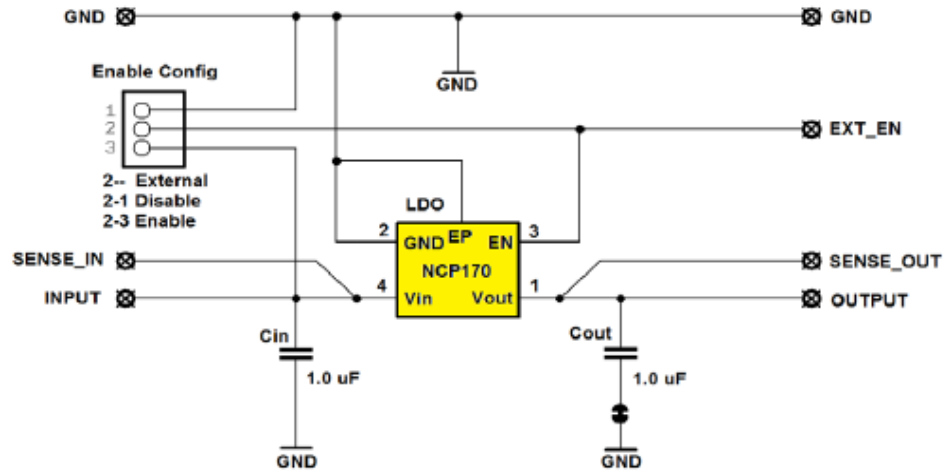


## Schematic for the NCP170AMX280GEVB Evaluation Board



### Programming I/F

