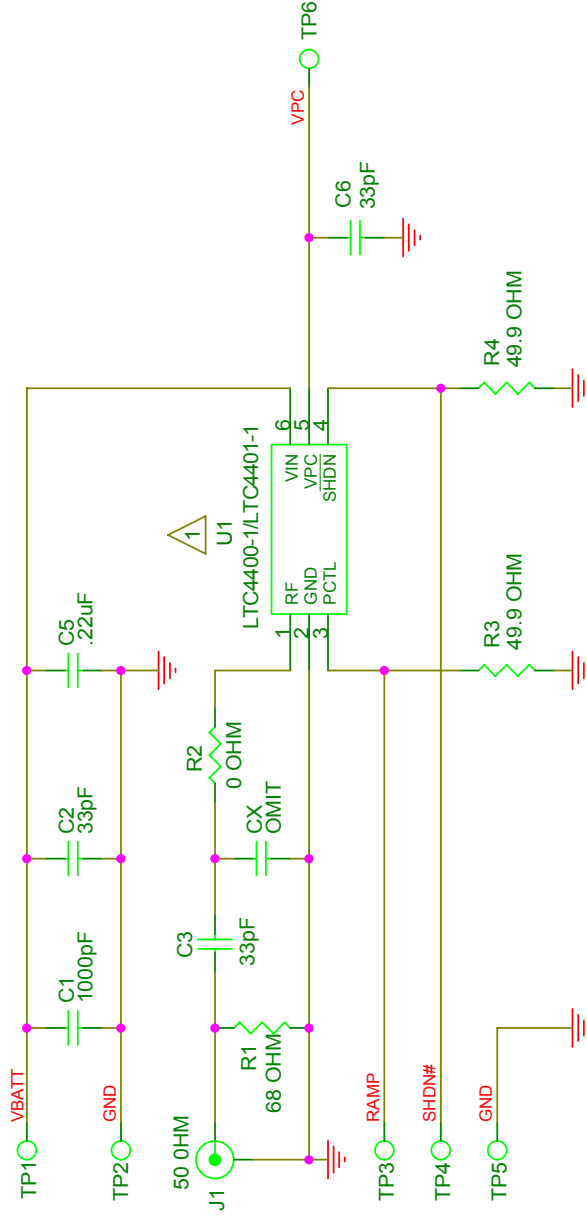


REVISION HISTORY

ECO	REV	DESCRIPTION	DATE	APPROVED
	1	INITIATED	3/29/01	
	2	CHG CAPS AND RES; C5, C6, R3; RMV R5.	08/01/01	

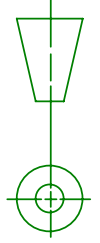


U1	DESCRIPTION
DASH	LTC4400-1ES6
-A	LTC4400-1ES6
-B	LTC4400-1ES6



UNLESS OTHERWISE SPECIFIED
DIMENSIONS ARE IN INCHES
TOLERANCE ON ANGLE ---
2 PLACES --- 3 PLACES ---
INTERPRET DIM AND TOL
PER ASME Y14.5M -1994

THIRD ANGLE PROJECTION



DO NOT SCALE DRAWING

CONTRACT NO.

APPROVALS	DATE
DRAWN L. SANTOS	03/29/01
CHECKED	
APPROVED	
ENGINEER	
DESIGNER	

TITLE

SCH, LTC440X-1, RF OUTPUT POWER CONTROLLER PCB

SIZE	CAGE CODE	DWG NO	REV
A		DC420A	2

Tuesday, October 15, 2002

FILENAME:DC420A_r2.DSN

SHEET 1 OF 1

SCALE: NONE



1630 McCarthy Blvd.
Milpitas, CA 95035
Phone: (408)432-1900
Fax: (408)434-0507