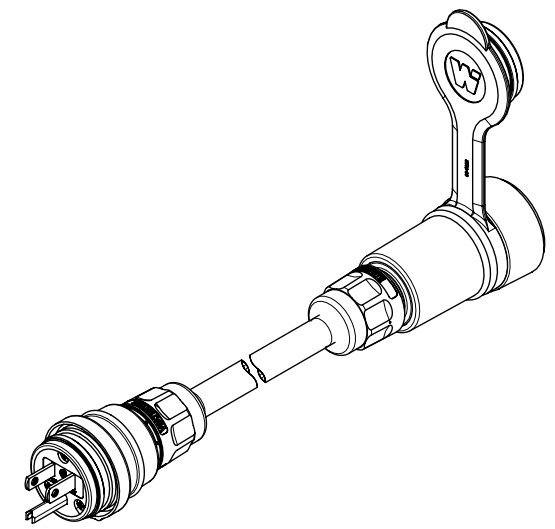
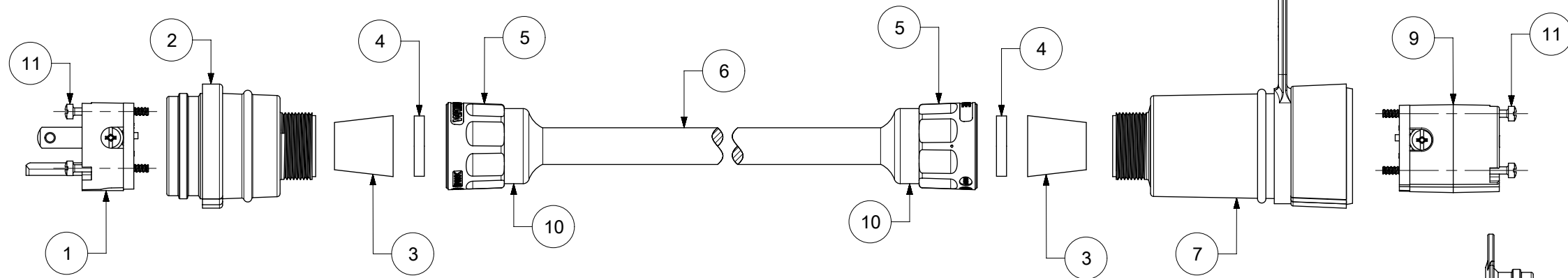
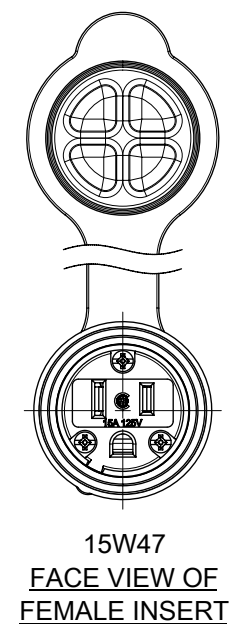
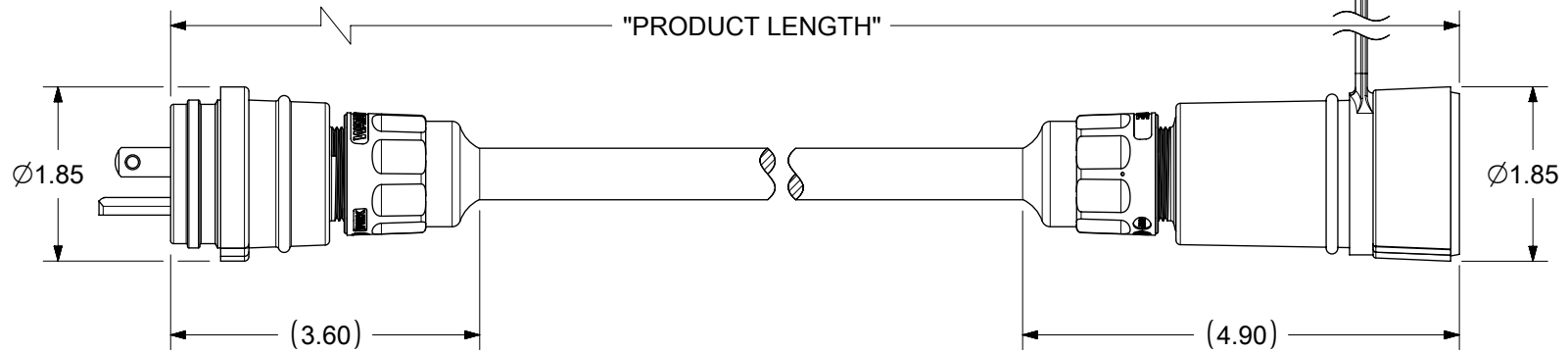
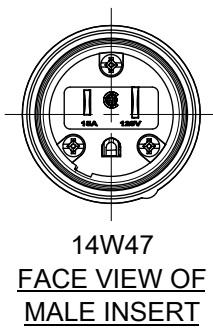


| MATERIAL NO. | ENGINEERING NO. | DESCRIPTION               | PRODUCT LENGTH       |
|--------------|-----------------|---------------------------|----------------------|
| 1301430134   | 14W47A143       | 14W47 W25FT 14-3SO 15W47  | 25 FT +12.0/-0.0 IN  |
| 1301430137   | 14W47A163       | 14W47 W25FT 16-3SO 15W47  | 25 FT +12.0/-0.0 IN  |
| 1301430138   | 14W47B123       | 14W47 W50FT 12-3SO 15W47  | 50 FT +24.0/-0.0 IN  |
| 1301430140   | 14W47B143       | 14W47 W50FT 14-3SO 15W47  | 50 FT +24.0/-0.0 IN  |
| 1301430143   | 14W47B163       | 14W47 W50FT 16-3SO 15W47  | 50 FT +24.0/-0.0 IN  |
| 1301430148   | 14W47D123       | 14W47 W100FT 12-3SO 15W47 | 100 FT +24.0/-0.0 IN |
| 1301430150   | 14W47D143       | 14W47 W100FT 14-3SO 15W47 | 100 FT +24.0/-0.0 IN |
| 1301430153   | 14W47D163       | 14W47 W100FT 16-3SO 15W47 | 100 FT +24.0/-0.0 IN |
| 1301430154   | 14W47L143       | 14W47 W6FT 14-3SO 15W47   | 6 FT +9.0/-0.0 IN    |

NEMA 5-15; 15A 125V; 2-POLE/3-WIRE



| ITEM NO. | DESCRIPTION             | MATERIAL   | QTY. |
|----------|-------------------------|--|------|
| 1        | MALE INSERT ASSY.       | NYLON, POLYCARBONATE, BRASS PLATING - NICKEL OR ZINC | 1    |
| 2        | WATERTITE - MALE HUSK   | SILICONE   | 1    |
| 3        | GROMMET                 | RUBBER   | 2    |
| 4        | FRICTION RING           | NYLON  | 2    |
| 5        | COMPRESSION NUT YELLOW  | NYLON  | 2    |
| 6        | YELLOW SOOW CORD        | COPPER WIRE  | 1    |
| 7        | WATERTITE - FEMALE HUSK | SILICONE   | 1    |
| 8        | CLOSURE CAP YELLOW      | SILICONE   | 1    |
| 9        | FEMALE INSERT ASSY.     | NYLON, POLYCARBONATE, BRASS PLATING - NICKEL OR ZINC | 1    |
| 10       | CABLE GLOVE             | SILICONE   | 2    |
| 11       | RETAINING SCREW         | STAINLESS STEEL                                      | 6    |



THIS DRAWING CONTAINS INFORMATION THAT IS PROPRIETARY TO MOLEX ELECTRONIC TECHNOLOGIES, LLC AND SHOULD NOT BE USED WITHOUT WRITTEN PERMISSION

|  |       |                        |   |
|--|-------|------------------------|---|
| DIMENSION UNITS                                      | SCALE | CURRENT REV            | DESC: REMOVED OBSOLETE PART NUMBER AS PER PCN#511695. |
| INCH   | NTS   | 730178                 |   |
| GENERAL TOLERANCES (UNLESS SPECIFIED)                |       | DRWN: SANTHN           | 2022/11/30  |
| ANGULAR TOL  | ± °   | CHKD: GGA              | 2023/01/04  |
| 4 PLACES   | ±     | APPR: GGA              | 2023/01/04  |
| 3 PLACES   | ±     | INITIAL REVISION:      |   |
| 2 PLACES   | ±     | DRWN: PPURSUTANDEL     | 2019/06/21  |
| 1 PLACE  | ±     | APPR: HKNEELAND        | 2020/05/19  |
| 0 PLACES   | ±     | THIRD ANGLE PROJECTION |   |
| DRAFT WHERE APPLICABLE MUST REMAIN WITHIN DIMENSIONS |       | DRAWING                | SERIES  |
|  |       | B-SIZE                 | 130143  |
|  |       | MATERIAL NUMBER        | CUSTOMER  |
|  |       | SEE TABLE              | GENERAL MARKET  |
|  |       | DOCUMENT NUMBER        | DOC TYPE DOC PART REVISION                            |
|  |       | 1301430140             | PSD 000 A1  |
|  |       | SHEET NUMBER           |   |
|  |       | 1 OF 1                 |   |