

MATERIAL NO.	ENGINEERING NO.	LENGTH
1300130299	1R4000A39M005	0.5M
1300130300	1R4000A39M010	1.0M
1300130301	1R4000A39M020	2.0M

CABLE LENGTH TOLERANCES

>.3M [1FT): +19mm-0 [+1.75in-0]

.3 - .9M [1 - 3FT): +44.5mm-0 [+1.75in-0]

.9 - 1.8M [3 - 6FT): +55.6mm-0 [+2.19in-0]

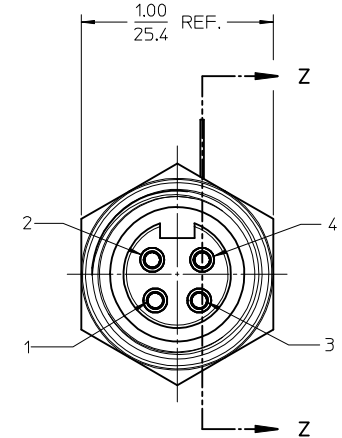
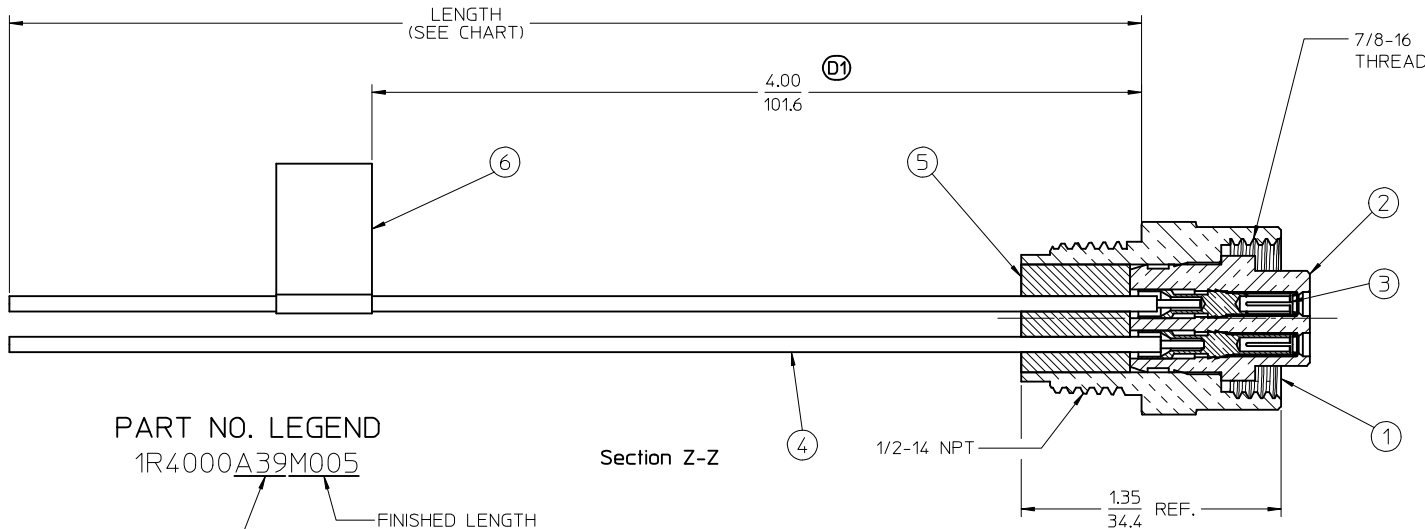
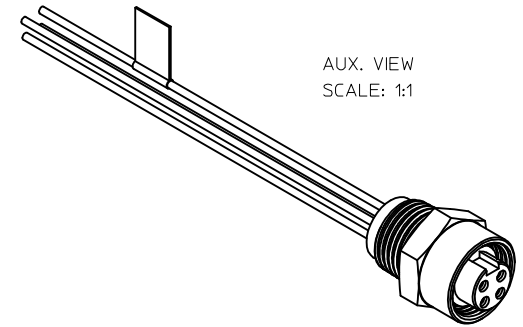
1.8 - 3.7M [6 - 12FT): +88.9mm-0 [+3.50in-0]

3.7 - 7.3M [12 - 24FT): +165.1mm-0 [+6.50in-0]

7.3-14.6M [24 - 48FT): +317.5mm-0 [+12.50in-0]

14.6 - 30.5M [48-100FT): +622.3mm-0 [+24.50in-0]

OVER 30M [100FT) +2% OF FINISHED LENGTH

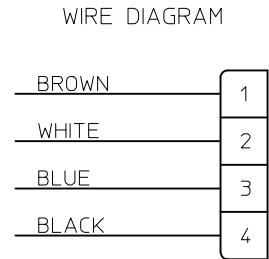
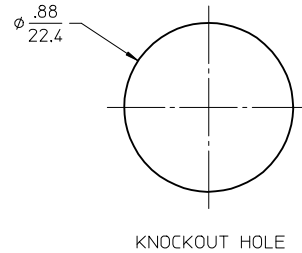


PART NO. LEGEND
1R4000A39M005

WIRE TYPE: 16 AWG PVC

FINISHED LENGTH
M005= 0.5 METER
M010= 1 METER
M100= 10 METERS

- NOTES:**
- MATERIAL: AS NOTED
 - FINISHES: AS NOTED
 - ELECTRICAL SPECIFICATIONS
VOLTAGE RATING: 483V PER IEC60664
600V PER UL2238
CURRENT RATING: 10 AMPS
 - PROTECTION: IP67 (WHEN MATED)
 - TEMP RANGE: -20°C TO +105°C
 - AGENCY LISTING: E152210
 - DIMS SHOWN ARE FOR REFERENCE UNLESS NOTED OTHERWISE



PIN-OUT PER CENELEC COLOR CODE

ITEM	QTY.	DESCRIPTION	MATERIAL	FINISH
6	1	LABEL	VINYL	BLACK/YELLOW
5	1	POTTING MATERIAL	EPOXY	
4	4	WIRE, 16 AWG	PVC INSULATION	SEE WIRE DIAGRAM
3	4	CONTACT SOCKET & SLEEVE ASSY.	Cu ALLOY/ST.STEEL	GOLD PLATED
2	1	INSERT	PVC	YELLOW
1	1	RECEPTACLE SHELL	ZINC DIE-CAST	NICKEL PLATED

16V VOLTS WAS 370 WAS 800
ADD LENGTH TOLS & CHART
IEC NO: IEC2017-0940
DRAWN BY: DRWINRSTONE 2017/04/10
CHKD: CHKD: 2017/06/06
APPR: BWOODMAN

QUALITY SYMBOLS
▽=0
▽=0

GENERAL TOLERANCES (UNLESS SPECIFIED)

	mm	INCH
4 PLACES	± .005	± .0005
3 PLACES	± .005	± .0005
2 PLACES	± .010	± .0010
1 PLACE	± .030	± .0030

ANGULAR ±1/2°

DRAFT WHERE APPLICABLE
MUST REMAIN WITHIN DIMENSIONS

DIMENSION STYLE
IN/MM

DRAWN BY: R.STONE DATE: 2009/08/25
CHECKED BY: B.WOODMAN DATE: 2009/08/27
APPROVED BY: JFMURPHY DATE: 2009/08/26

MATERIAL NO. -

SCALE 2:1 DESIGN UNITS INCH THIRD ANGLE PROJECTION

TITLE
**MINI-CHANGE, RECEPTACLE
4P, FEMALE, 16 AWG**

MOLEX INCORPORATED

DOCUMENT NO. SD-130013-086 SHEET NO. 1 OF 1

THIS DRAWING CONTAINS INFORMATION THAT IS PROPRIETARY TO MOLEX INCORPORATED AND SHOULD NOT BE USED WITHOUT WRITTEN PERMISSION