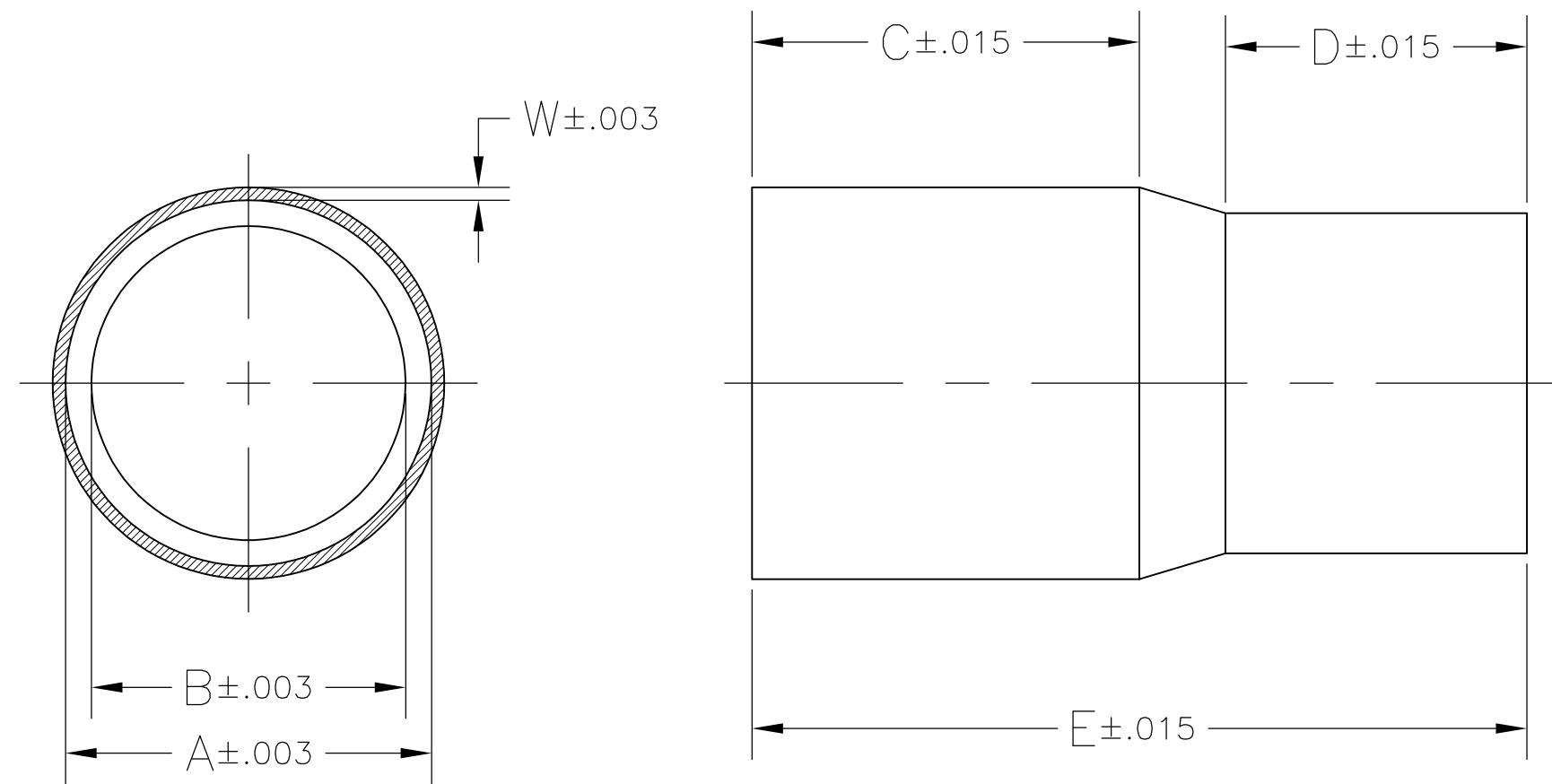


THIS DRAWING IS UNPUBLISHED. RELEASED FOR PUBLICATION
 © COPYRIGHT - By - ALL RIGHTS RESERVED.

LOC		DIST		REVISIONS			
P	LTR	DESCRIPTION		DATE	DWN	APVD	
AD	00	K		REVISED PER ECO-15-008006	17NOV2015	NK	MM

- 1 HARDNESS VALUE SHOULD BE 80 DPH MAX (AVG OF 3 READINGS) USING A 100 GRAM LOAD.
- 2 OBSOLETE PART NUMBER.
- 3 FINISH: .000100 MIN BRIGHT TIN-LEAD
- 4 FINISH: .000100 MIN TIN
- 5 OBSOLETE PARTS: OBSOLETE CIS STREAMLINING PER D.RENAUD/D.SINISI



4	.900	.250	.550	.023	.525	.600	5-102903-8
4	.900	.250	.550	.023	.550	.600	5-102903-7
4	.900	.250	.550	.023	.425	.525	5-102903-6
4	.900	.250	.550	.023	.465	.525	5-102903-5
4	.900	.250	.550	.023	.365	.460	5-102903-4
4	.900	.350	.450	.023	.250	.425	5-102903-3
4	.900	.350	.450	.023	.300	.425	5-102903-2
4	.900	.350	.450	.023	.365	.425	5-102903-1
5	3	.900	.250	.550	.023	.525	3-102903-6
5	3	.900	.250	.550	.023	.550	3-102903-3
5	3	.900	.250	.550	.023	.425	3-102903-0
5	3	.900	.250	.550	.023	.465	2-102903-7
5	3	.900	.250	.550	.023	.365	2-102903-4
2		.900	.250	.550	.023	.425	2-102903-1
2		.460	.150	.260	.015	.195	1-102903-8
5	3	.900	.350	.450	.023	.250	1-102903-5
2		.900	.250	.550	.023	.265	1-102903-2
5	3	.900	.350	.450	.023	.300	102903-9
2		.900	.250	.550	.023	.325	102903-6
3		.900	.350	.450	.023	.365	102903-3
FINISH	E	D	C	W (WALL THK.)	B (INSIDE DIA)	A (INSIDE DIA)	PART NUMBER

THIS DRAWING IS A CONTROLLED DOCUMENT. DWN E.BRANDBERG 15DEC92
 CHK J. GESFORD 20JAN93
 APVD D. DUPLER 20JAN93

TE TE Connectivity

FERRULE, STEP DOWN

SIZE A2 CAGE CODE 00779 DRAWING NO C=102903 RESTRICTED TO -
 SCALE 5:1 SHEET 1 of 1 REV K

MATERIAL SOFT COPPER FINISH SEE TABLE WEIGHT - CUSTOMER DRAWING