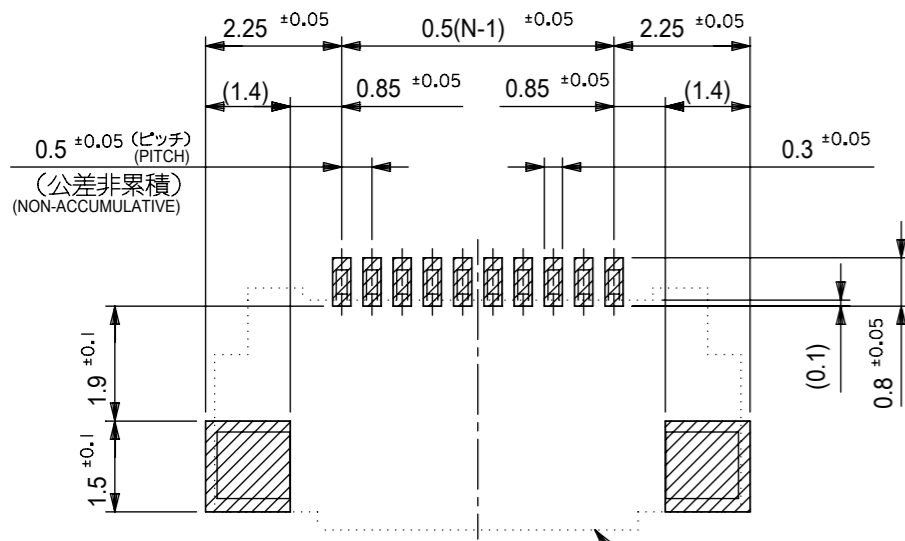


30.3	30.5	32.6	29.5	33.7	51296-6033	60
27.3	27.5	29.6	26.5	30.7	51296-5433	54
25.3	25.5	27.6	24.5	28.7	51296-5033	50
22.8	23.0	25.1	22.0	26.2	51296-4533	45
20.3	20.5	22.6	19.5	23.7	51296-4033	40
17.3	17.5	19.6	16.5	20.7	51296-3433	34
9.3	9.5	11.6	8.5	12.7	51296-1833	18
7.3	7.5	9.6	6.5	10.7	51296-1433	14
6.3	6.5	8.6	5.5	9.7	51296-1233	12
4.3	4.5	6.6	3.5	7.7	51296-0833	8
E	D	C	B	A	EMBOSSED TAPE	極数
ORDER No. オーダー番号						Ckt

CONNECTOR SERIES NO. : 51296-\*\*22

THIS DRAWING CONTAINS INFORMATION THAT IS PROPRIETARY TO MOLEX ELECTRONIC TECHNOLOGIES, LLC AND SHOULD NOT BE USED WITHOUT WRITTEN PERMISSION

DIMENSION UNITS	SCALE	CURRENT REV DESC: REVISED		<b>molex</b>		
mm	5:1					
GENERAL TOLERANCES (UNLESS SPECIFIED)		EC NO: 632178		0.5MM FPC CONN F/F E/O HOUSING ASSY		
ANGULAR TOL	± °	DRWN: SKITAZAWA	2020/02/14	PRODUCT CUSTOMER DRAWING		
4 PLACES	±	CHK'D: HSHIMOYAMA	2020/02/17	DOCUMENT NUMBER		
3 PLACES	±	APPR: SHOSHIKAWA	2020/02/17	DOC TYPE		
2 PLACES	±	INITIAL REVISION:		DOC PART		
1 PLACE	±	DRWN: AISHII	2012/09/19	REVISION		
0 PLACES	±	APPR: KMORIKAWA	2013/03/15	SD-51296-017		
DRAFT WHERE APPLICABLE MUST REMAIN WITHIN DIMENSIONS		THIRD ANGLE PROJECTION	DRAWING	SERIES	MATERIAL NUMBER	CUSTOMER
			A3-SIZE	51296	SEE CHART	GENERAL MARKET
				SHEET NUMBER	1 OF 2	



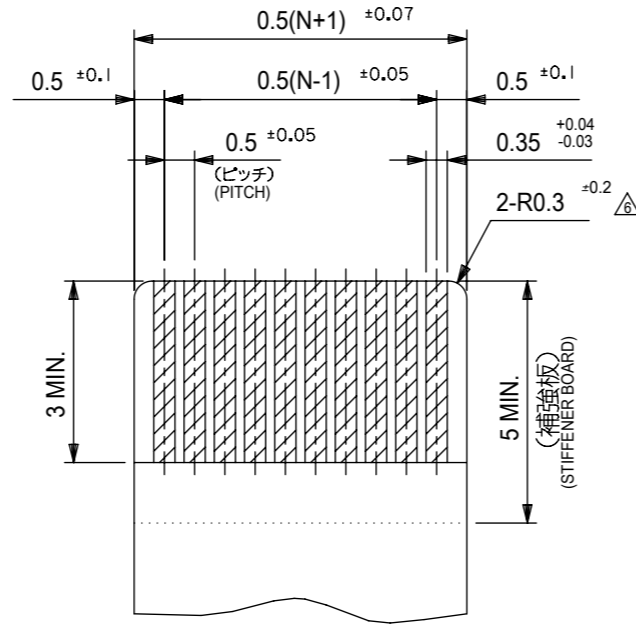
推奨基板レイアウト  
P.C. BOARD PATTERN  
DIMENSION (REF.)

(マウント面)  
(MOUNTING SIDE)

マスク厚 : 100µm  
マスク開口率 : 100%

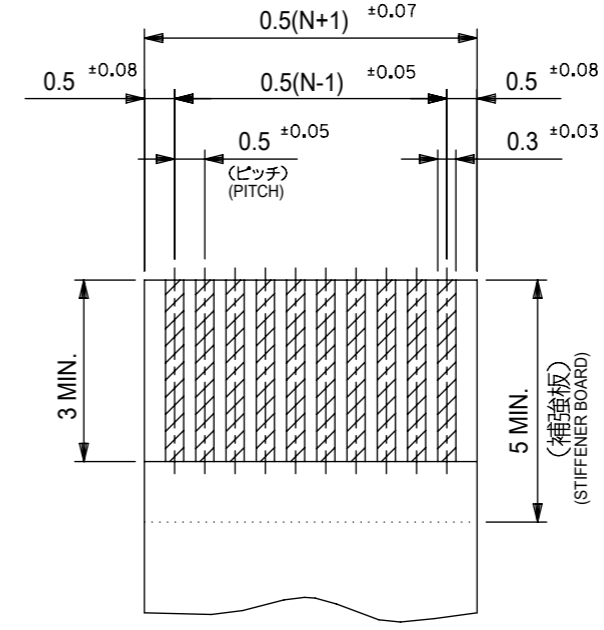
SCREEN THICKNESS : 100 MICROMETER  
SCREEN OPEN RATIO : 100%

コネクタ位置  
CONNECTOR POSITION



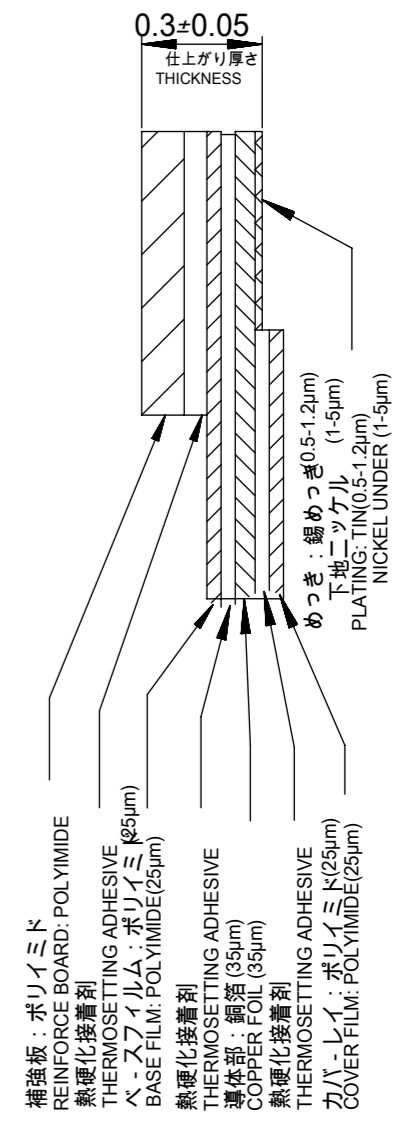
適合FPC推奨寸法  
APPLICABLE FPC  
RECOMMENDED DIMENSION

(仕上がり厚さ : 0.3 ±0.05)  
(THICKNESS: 0.3 ±0.05)



適合FFC推奨寸法  
APPLICABLE FFC  
RECOMMENDED DIMENSION

(仕上がり厚さ : 0.3 ±0.05)  
(THICKNESS: 0.3 ±0.05)



FPC構成推奨仕様  
STRUCTURE OF FPC

注記 NOTES

1. 使用材料 MATERIAL
  - ハウジング HOUSING : 液晶ポリマー(LCP)、ベージュ、ガラス充填、UL94V-0 LIQUID CRYSTAL POLYMER, BEIGE, GLASS FILLED, UL94V-0
  - アクチュエータ ACTUATOR : ポリアミド(PA)、黒、ガラス充填、UL94V-0 POLYAMIDE, BLACK, GLASS FILLED, UL94V-0
  - ターミナル TERMINAL : リン青銅 (t=0.18) PHOSPOR BRONZE
  - 金具 FITTING NAIL : リン青銅 (t=0.15) PHOSPOR BRONZE
2. メッキ仕様 PLATING
  - ターミナル TERMINAL
    - 錫銀ビスマスメッキ (1.0µm以上) TIN SILVER BISMUTH PLATING (1.0 MICROMETER MINIMUM)
    - 下地 : ニッケルめっき(1.0µm以上) UNDER PLATING: NICKEL PLATING (1.0 MICROMETER MINIMUM)
  - 金具 FITTING NAIL
    - 錫メッキ (1.0µm以上) TIN PLATING (1.0 MICROMETER MINIMUM)
    - 下地 : ニッケルめっき(1.0µm以上) UNDER PLATING: NICKEL PLATING (1.0 MICROMETER MINIMUM)
3. エンボステープ梱包時は、アクチュエータが閉じた状態とする。  
IN THE PACKAGE, ACTUATOR SHOULD BE CLOSED.
- △4 偶数極に適用。  
APPLY FOR EVEN CIRCUIT.
- △5 パターンはくり止め用具  
FITTING NAIL FOR PREVENTION OF PEELING OF PCB PATTERN.
- △6 R0.3は、FPC導体部にかからないこと。  
R0.3 MUST NOT BE OVERLAPPED TO PATTERN OF FPC.
- △7 極数によりハウジング形状が異なるので注意のこと。  
THE HOUSING SHAPE IS DIFFERENT ACCORDING TO THE CIRCUIT.
8. テール及び金具の平坦度は、0.1ミリメートル以下とする。  
TAIL AND FITTING NAIL COPLANARITY TO BE 0.1 MILLIMETERS.
9. ELV及びRoHS適合品  
ELV AND RoHS COMPLIANT

FPCについて :

抜き方向は、導体側から補強板側を推奨致します。  
補強フィルム材質は、ポリイミドを推奨致します。  
接着剤は熱硬化接着剤を推奨します。  
尚、接着剤の接点部への付着は導通不良の原因になりますので、  
染み出しが無い様お願い致します。

ABOUT FPC:

RECOMMENDED PUNCHER DIRECTION:  
FROM CONDUCTOR SIDE TO STIFFNER SIDE

RECOMMENDED MATERIAL : STIFFENER FILM POLYIMIDE

BONDING AGENT : THERMOSETTING AGENT

PLEASE PUT APPROPRIATE AMOUNT OF ADHESIVE ON ADHEREND  
BECAUSE THERE IS A POSSIBILITY THAT THE EXTRA ADHESIVE  
CAUSES THE DEFECT IN ELECTRICAL CONTINUITY.

FFC/FPCについて :

打抜き方向は導体側から補強板側を推奨致します。  
導体部については軟銅箔35µmまたは50µmを推奨致します。

ABOUT FFC/FPC:

RECOMMENDED PUNCHER DIRECTION:  
FROM CONDUCTOR SIDE TO STIFFENER FILM SIDE.

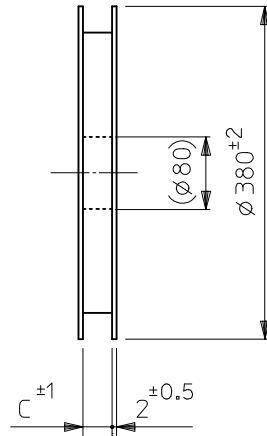
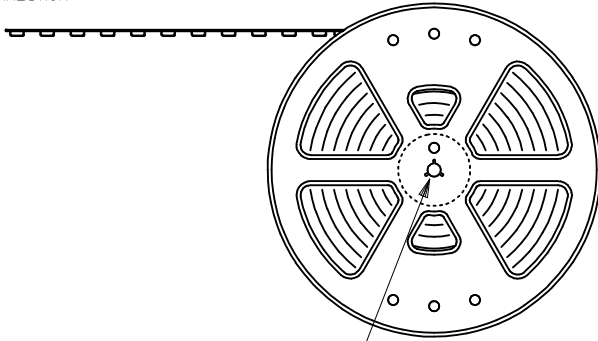
RECOMMENDED CONDUCTOR SPECIFICATION:  
THICKNESS OF SOFT COPPER FOIL: 35MICROMETER OR 50 MICROMETER

THIS DRAWING CONTAINS INFORMATION THAT IS PROPRIETARY TO MOLEX ELECTRONIC TECHNOLOGIES, LLC AND SHOULD NOT BE USED WITHOUT WRITTEN PERMISSION									
DIMENSION UNITS	SCALE	CURRENT REV DESC: REVISED							
mm	5:1								
GENERAL TOLERANCES (UNLESS SPECIFIED)									
ANGULAR TOL	± °	0.5MM FPC CONN F/F E/O HOUSING ASSY							
4 PLACES	±	PRODUCT CUSTOMER DRAWING							
3 PLACES	±	DOCUMENT NUMBER							
2 PLACES	±	DOC TYPE							
1 PLACE	±	DOC PART							
0 PLACES	±	REVISION							
DRAFT WHERE APPLICABLE MUST REMAIN WITHIN DIMENSIONS		THIRD ANGLE PROJECTION	DRAWING	SERIES	MATERIAL NUMBER	CUSTOMER	SHEET NUMBER		
			A3-SIZE	51296	SEE CHART	GENERAL MARKET	2 OF 2		

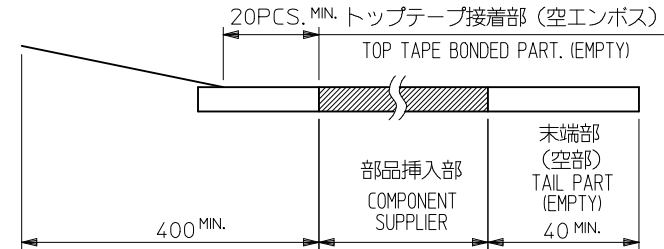
NOTES

- 製品詳細寸法については図面 SD-51296-017 を参照下さい。  
RE DETAILED DIMENSION, SEE SD-51296-017.
- 梱包数量：3000個/リール  
NUMBER OF CONNECTORS : 3000PCS/REEL
- リードテープ長さ LEAD TAPE LENGTH

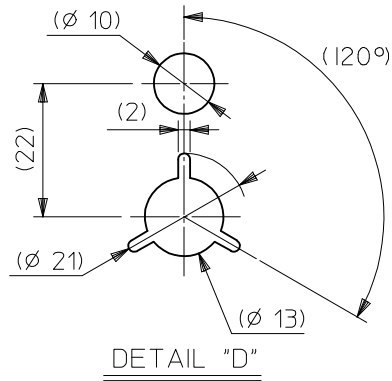
引き出し方向  
PULL OUT DIRECTION



引き出し方向  
PULL OUT DIRECTION

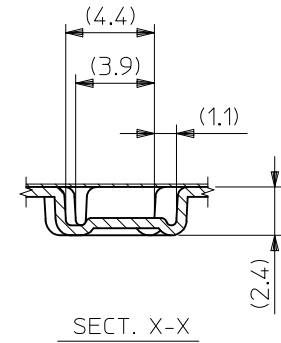
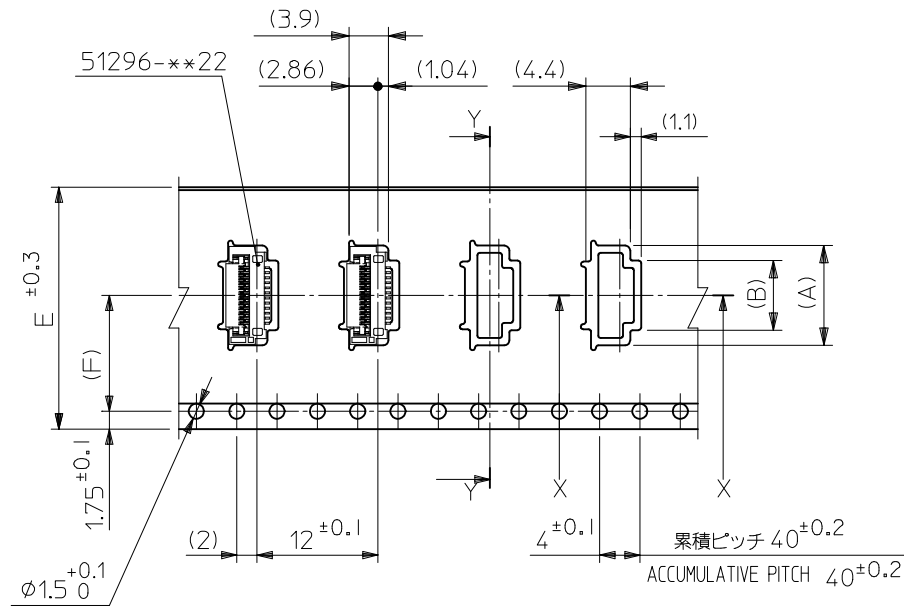
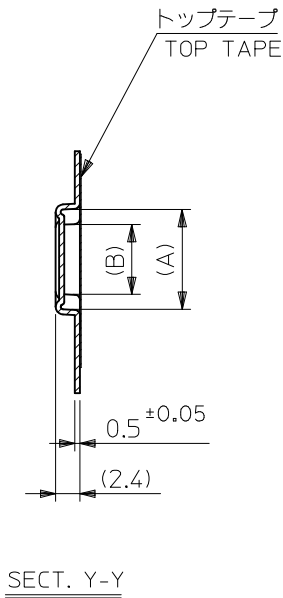


- カバーテープの剥離強度については、IEC60286-3に準拠  
COVER TAPE PEEL FORCE IS DEFINED BY IEC 60286-3.
- 材料  
MATERIAL  
キャリアテープ：ポリスチレン (PS)  
CARRIER TAPE: POLYSTYRENE (PS)  
トップテープ：ポリスチレン (PS)  
TOP TAPE : POLYSTYRENE (PS)  
リール：ポリスチレン (PS)  
REEL: POLYSTYRENE
- ELV及びRoHS適合品  
ELV AND RoHS COMPLIANT



RELEASED EC NO: J2013-1002 DRW: AISHII 2012/09/19 CHK: KTAKAHASHI 2012/09/19 APPR: KMORIKAWA 2013/03/15	GENERAL TOLERANCES (UNLESS SPECIFIED)		DIMENSION STYLE MM ONLY		SCALE ---	DESIGN UNITS METRIC	THIRD ANGLE PROJECTION
	10 UNDER	± ---	DRAWN BY AISHII	DATE 2012/09/19	TITLE EMBOSS TAPE PACKAGED FOR 0.5MM FPC CONN F/F E/O HOUSING ASSY  <b>molex</b> DOCUMENT NO. SD-51296-018 SHEET NO. 1 OF 3		
	10 OVER 30 UNDER	± ---	CHECKED BY KTAKAHASHI	DATE 2012/09/19			
	30 OVER	± ---	APPROVED BY KMORIKAWA	DATE 2013/03/15			
	ANGULAR ± --- °		MATERIAL NO.				
DRAFT WHERE APPLICABLE MUST REMAIN WITHIN DIMENSIONS		SEE CHART					
0	REV	SIZE A3		THIS DRAWING CONTAINS INFORMATION THAT IS PROPRIETARY TO MOLEX INCORPORATED AND SHOULD NOT BE USED WITHOUT WRITTEN PERMISSION			

引き出し方向  
PULL OUT DIRECTION



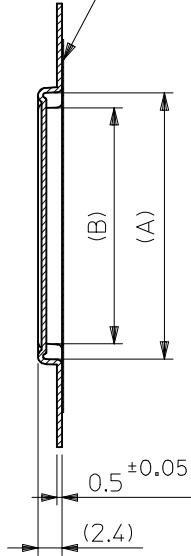
11.5	24	25.4	29.4	9.89	12.9	51296-1833	18
				7.89	10.9	51296-1433	14
				6.89	9.9	51296-1233	12
7.5	16	17.4	21.4	4.89	7.9	51296-0833	8
(F)	E	D	C	(B)	(A)	製品番号 MATERIAL No	極数 Ckt

SEE SHEET 1 OF 3 EC NO: J2013-1002 DRW: AISHII 2012/09/19 CHKD: KTAKAHASHI 2012/09/19 APPR: KMORIKAWA 2013/03/15	DESCRIPTION REV O	GENERAL TOLERANCES (UNLESS SPECIFIED)		DIMENSION STYLE MM ONLY		SCALE ---	DESIGN UNITS METRIC	THIRD ANGLE PROJECTION	
		10 UNDER	± ---	DRAWN BY AISHII	DATE 2012/09/19	TITLE EMBOSS TAPE PACKAGED FOR 0.5MM FPC CONN F/F E/O HOUSING ASSY <b>molex</b>			
		10 OVER 30 UNDER	± ---	CHECKED BY KTAKAHASHI	DATE 2012/09/19				
		30 OVER	± ---	APPROVED BY KMORIKAWA	DATE 2013/03/15				
ANGULAR ± --- ° DRAFT WHERE APPLICABLE MUST REMAIN WITHIN DIMENSIONS		MATERIAL NO. SEE CHART		DOCUMENT NO. SD-51296-018		SHEET NO. 2 OF 3			
SIZE A3 THIS DRAWING CONTAINS INFORMATION THAT IS PROPRIETARY TO MOLEX INCORPORATED AND SHOULD NOT BE USED WITHOUT WRITTEN PERMISSION									

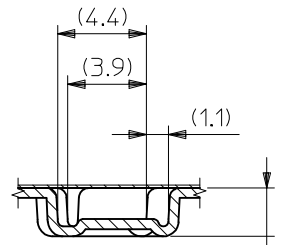
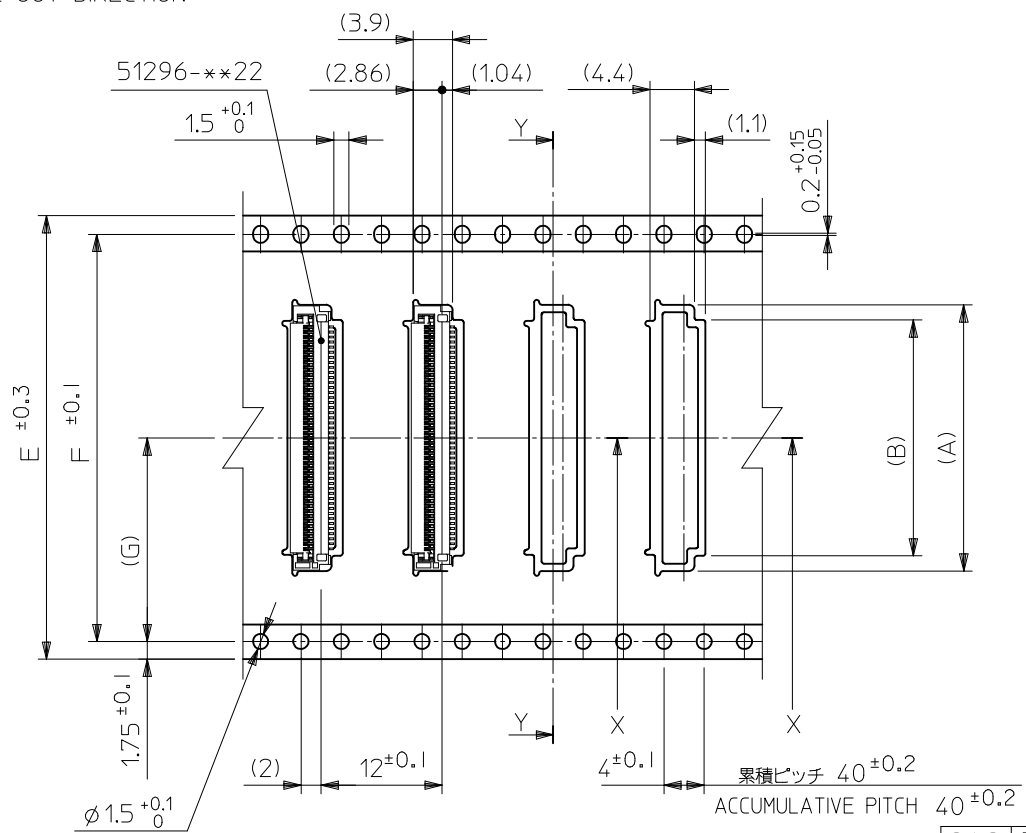
10 9 8 7 6 5 4 3 2 1

引き出し方向  
PULL OUT DIRECTION

トップテープ  
TOP TAPE



SECT. Y-Y



SECT. X-X

26.2	52.4	56	57.4	61.4	30.89	33.9	51296-6033	60
					27.89	30.9	51296-5433	54
20.2	40.4	44	45.4	49.4	25.89	28.9	51296-5033	50
					23.39	26.4	51296-4533	45
					20.89	23.9	51296-4033	40
14.2	28.4	32	33.4	37.4	17.89	20.9	51296-3433	34
(G)	F	E	D	C	(B)	(A)	製品番号 MATERIAL No	極数 Ckt

SEE SHEET 1 OF 3	EC NO: J2013-1002	2012/09/19	GENERAL TOLERANCES (UNLESS SPECIFIED)		DIMENSION STYLE MM ONLY		SCALE ---	DESIGN UNITS METRIC	THIRD ANGLE PROJECTION
	DRWN: AISHII	2012/09/19	10 UNDER	± ---	DRAWN BY AISHII	DATE 2012/09/19	TITLE EMBOSS TAPE PACKAGED FOR 0.5MM FPC CONN F/F E/O HOUSING ASSY  <b>molex</b> DOCUMENT NO. SD-51296-018 SHEET NO. 3 OF 3		
	CHKD: TAKAHASHI	2012/09/19	10 OVER 30 UNDER	± ---	CHECKED BY KTAKAHASHI	DATE 2012/09/19			
	APPR: KMORIKAWA	2013/03/15	30 OVER	± ---	APPROVED BY KMORIKAWA	DATE 2013/03/15			
	REV	DESCRIPTION	ANGULAR ± --- °		MATERIAL NO.				
0		DRAFT WHERE APPLICABLE MUST REMAIN WITHIN DIMENSIONS		SEE CHART					

9 8 7 6 5 4 3 2

THIS DRAWING CONTAINS INFORMATION THAT IS PROPRIETARY TO MOLEX INCORPORATED AND SHOULD NOT BE USED WITHOUT WRITTEN PERMISSION