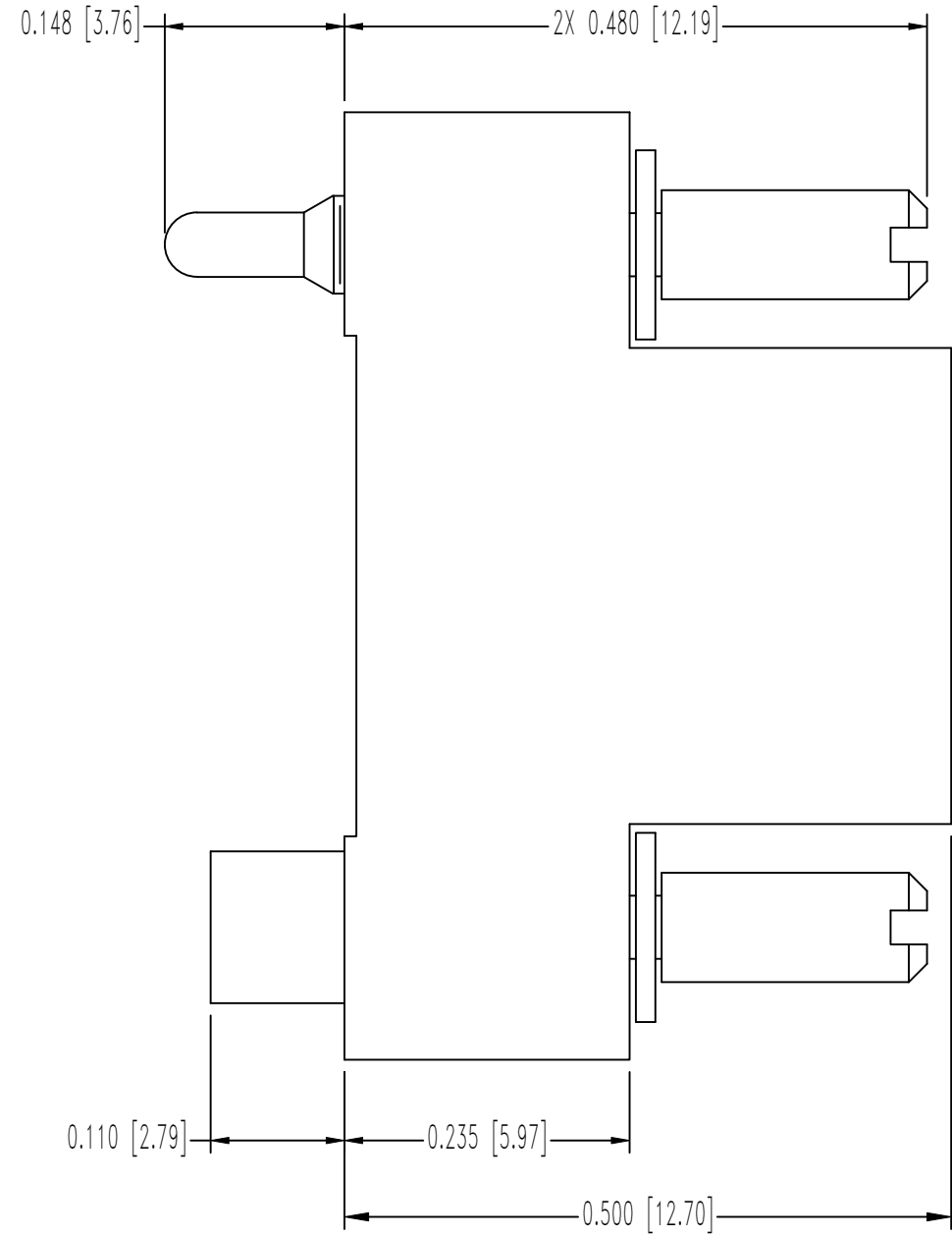
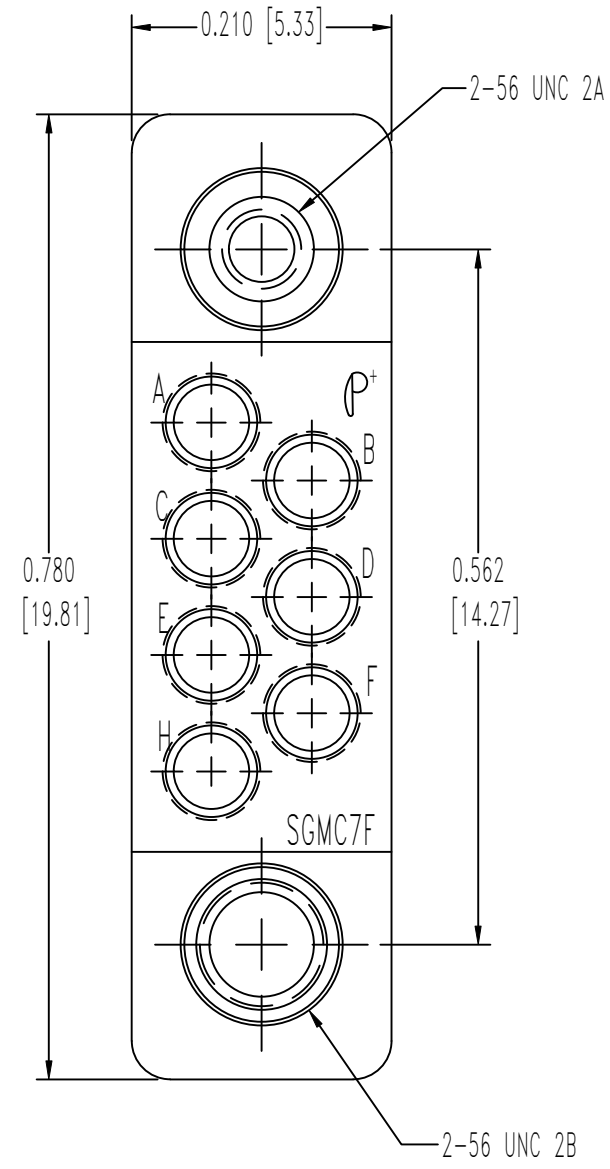


SK13735


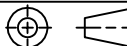
DATE	REV	REVISION RECORD	APP	DR	CK
2-21-12	NC	ECO 35238	COLE	BS	COLE

THIS DRAWING CONTAINS INFORMATION PROPRIETARY TO POSITRONIC AND ITS SUBSIDIARIES. POSITRONIC BELIEVES THE DATA ON THIS DRAWING TO BE RELIABLE. SINCE THE TECHNICAL INFORMATION IS GIVEN FREE OF CHARGE, THE USER EMPLOYS SUCH INFORMATION AT HIS OWN DISCRETION AND RISK. POSITRONIC ASSUMES NO RESPONSIBILITY FOR RESULTS OBTAINED OR DAMAGES INCURRED FROM USE OF SUCH INFORMATION IN WHOLE OR IN PART.



NOTES:

- MATERIALS AND FINISHES:
INSULATOR: GLASS FILLED DAP PER ASTM-D-5948 TYPE SDG-F, GREEN COLOR.
JACKSCREWS: PASSIVATED STAINLESS STEEL.
- DETAILED PRODUCT, ELECTRICAL, AND MECHANICAL INFORMATION IS AVAILABLE IN THE LATEST HIGH DENSITY RECTANGULAR PRODUCT PUBLICATION. VISIT CONNECTPOSITRONIC.COM/PRODUCTS/54/HIGHDENSITYRECTANGULAR OR CONNECTPOSITRONIC.COM.
- CONNECTORS ARE ROHS COMPLIANT PER ROHS DIRECTIVE 2002/95/EC OF 27 JAN 2003.
- DIMENSIONS ARE IN INCHES [MILLIMETERS].

 POSITRONIC INDUSTRIES INC. www.connectpositronic.com		FSCM 28198	
 DECIMAL TOL. $\pm 0.015 [0.38]$	SCALE N.T.S.	DRAWN BY B SHELLIEDY	APPROVED BY COLE
TITLE SGMC SERIES		SGMC7S0ESS0000/AA	
ANGULAR TOL. $\pm 5^\circ$	DATE 2-21-12	DRAWING NUMBER SK13735	REV. NC