

# MFC. | Push-pull clamps

Steel



- 1
- 2
- 3
- 4
- 5
- 6
- 7
- 8
- 9
- 10
- 11
- 12
- 13
- 14
- 15
- 16
- 17
- 18

## MATERIAL

C10 zinc-plated steel.

## RIVETS

Zinc-plated steel.

## BASE

Manganese phosphate pressed steel, black colour.

## PUSH LEVER

Zinc-plated steel.

## HANDLE

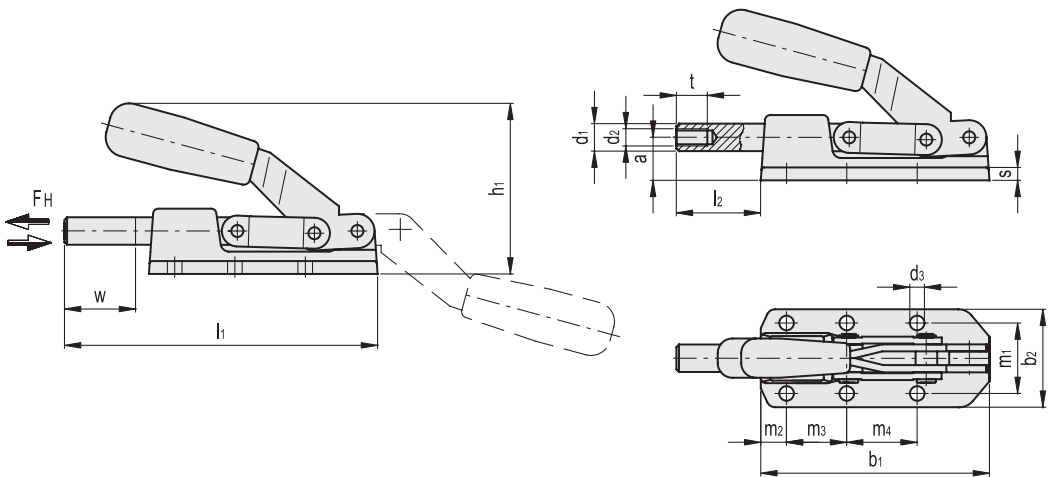
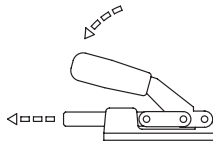
Polyurethane, red colour.

## CLAMPING BOLT

To be ordered separately.

## FEATURES AND APPLICATIONS

All articulated joints are lubricated with special grease.  
MFC. clamps are suitable for use requiring high resistant torque given their solid base body. Both push and pull clamping can be performed effectively.



**METRIC**

Code	Description	a	b1	b2	d1	d2	d3	h1	l1	l2	m1	m2	m3	m4	s	t	Stroke w	FH* [N]	$\Delta\Delta$
GG.AG070	MFC.70-AS	12	64	36	8.5	M6	4.3	42.5	86	22	26	13	-	26	6	12	20	1200	170
GG.AG160	MFC.160-AS	15	85	46	11	M6	5.5	56	116	31	33.5	11	-	36.5	10	12	30	2800	400
GG.AG351	MFC.360-AS	25	90	45.5	12	M8	5.5	72	122	32	33.5	30	-	36.5	7	15	32	5600	440
GG.AG355	MFC.550-AS	18	122.5	55	14	M8	7	76	164.5	42	41	15	35	41	6	16	42	8000	700
GG.AG361	MFC.1100-AS	25	133	57	16	M10	8.5	95	182	49	41	15	35	41	7	18	50	16000	1060
GG.AG371	MFC.2100-AS	35	177	70	20	M12	8.5	118.5	238	61	50	35	50	50	9.5	22	60	25000	2280
GG.AG381	MFC.3100-AS	40	216	76	22	M14	11	137	316	100	54	40	70	70	9.5	25	100	45000	3350

Toggle and fastening clamps

2 \* Holding force.