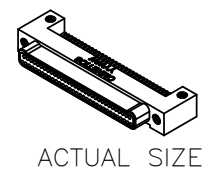
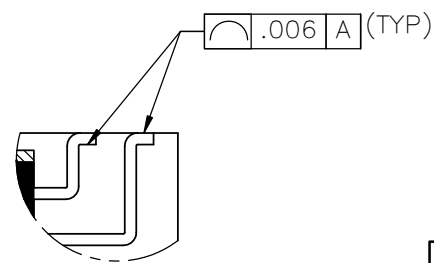
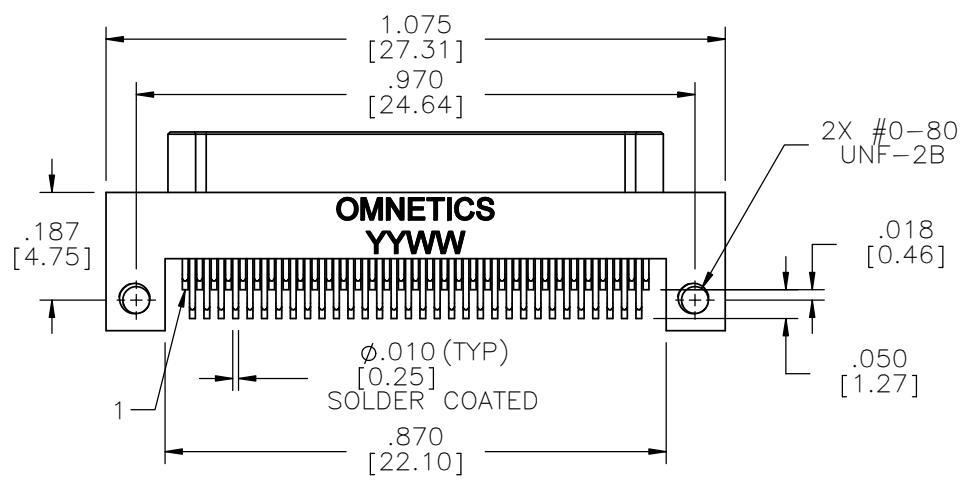
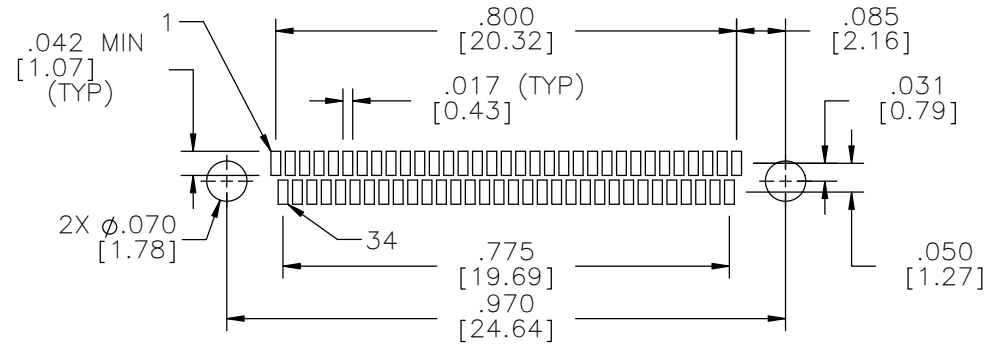
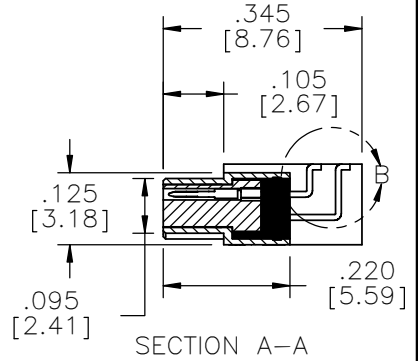
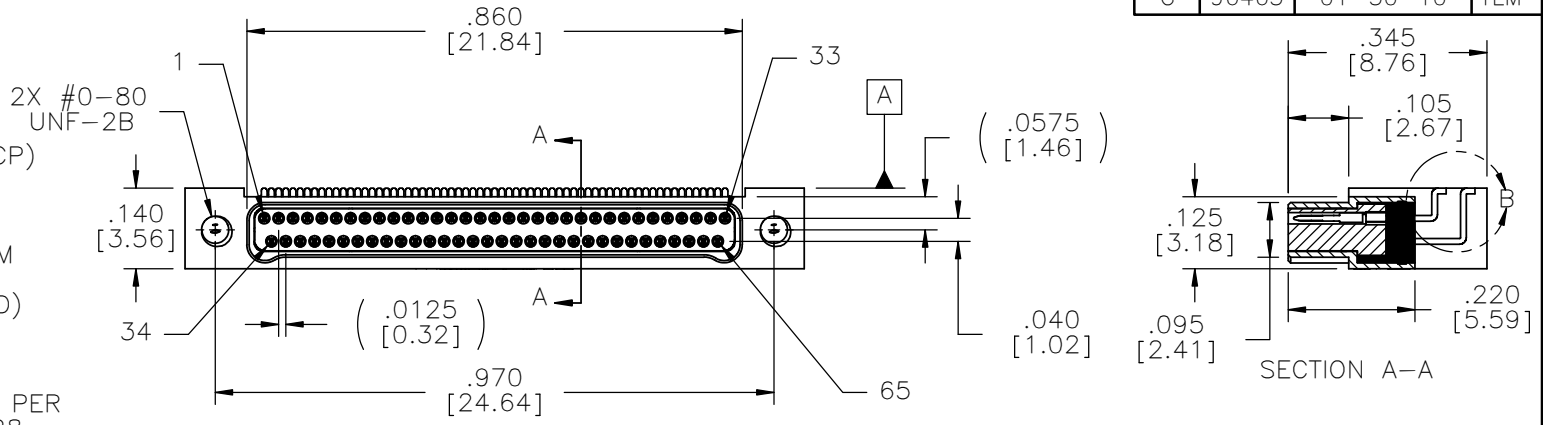


MATERIALS & SPECIFICATIONS

PART NO.	A28100-065	REV	ECO	DATE	APP
		G	96463	01-30-10	TLM

- HOUSING:**
ALUMINUM 6061-T6, NICKEL PLATE PER AMS-C-26074
- INSULATOR:**
LIQUID CRYSTAL POLYMER (LCP) PER ASTM D5138
- CONTACT:**
BERYLLIUM COPPER PER ASTM B194, C17200, GOLD PLATED PER ASTM B488, (HARD GOLD) TYPE II CODE C, CLASS 1.27
- TERMINATION:**
SOLDER COATED WITH SN63A PER J-STD-006 OR AMS-P-81728
- CURRENT RATING:**
1 AMP MAX PER MIL-DTL-32139
- CONTACT RESISTANCE:**
71 MILLIOHM MAX (71mV DROP MAX) @ 1.0 AMPS PER MIL-DTL-32139
- PERFORMANCE:**
PRODUCT FAMILY TESTED TO AND PASSED THE PERFORMANCE SPECIFICATIONS OF TABLE VIII OF MIL-DTL-32139



DETAIL B
SCALE 6 : 1

MNP SLDW	THIRD ANGLE	THIS DRAWING CONTAINS CONFIDENTIAL AND PROPRIETARY INFORMATION WHICH IS THE PROPERTY OF OMNETICS CONNECTOR CORP. THIS DOCUMENT MAY NOT, IN WHOLE OR IN PART, BE DUPLICATED, OR DISCLOSED FOR ANY PURPOSE, WITHOUT WRITTEN PERMISSION FROM OMNETICS CONNECTOR CORP.	OMNETICS CONNECTOR CORPORATION 7260 COMMERCE CIRCLE EAST MINNEAPOLIS, MN 55432 WWW.OMNETICS.COM		CAGE CODE 61873			
	-TOLERANCES-				DWG NO. A28100-065			
	UNLESS OTHERWISE NOTED				DFTM. AAS	DATE	SHEET 1 OF 1	
	DIMENSIONS IN INCHES				05-05-04	DATE	REV G	
2 PL DEC ± .01	CHK'D.	DATE	SCALE: 3:1					
3 PL DEC ± .005	APP'D.	DATE						
4 PL DEC ± .0005								
ANGLES ± 1°								

TITLE:
(65) PIN MALE
Bi-Lobe® CONNECTOR