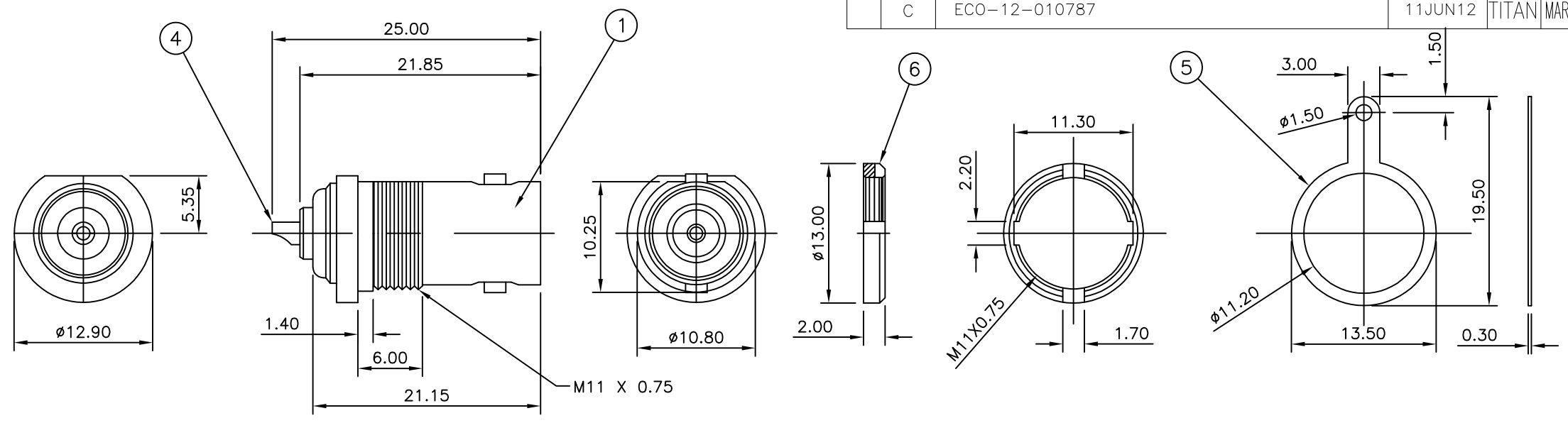
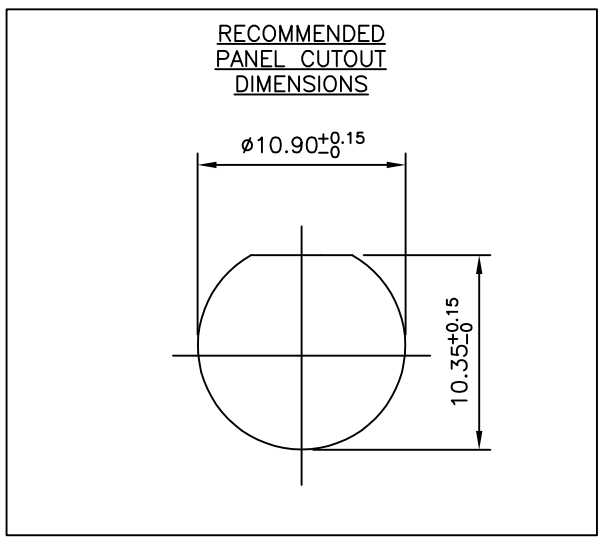
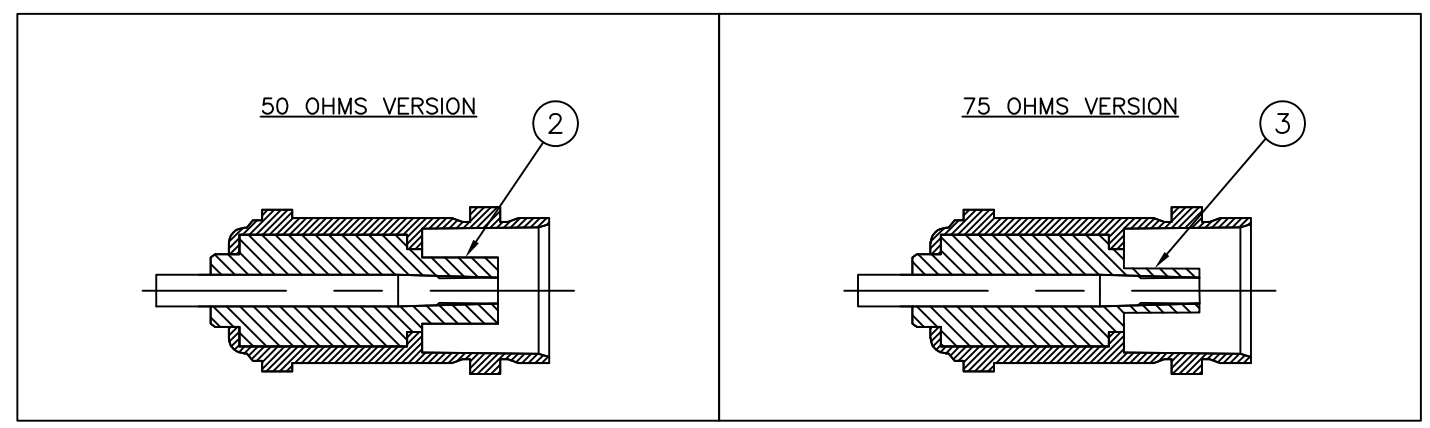


THIS DRAWING IS UNPUBLISHED. RELEASED FOR PUBLICATION MAR , 2006.
 © COPYRIGHT 2006 By - ALL RIGHTS RESERVED.

LOC	DIST	REVISIONS					
		P	LTR	DESCRIPTION	DATE	DWN	APVD
E	B	B		ECO-09-003420	14 Feb 09	RITA	BOB
		C		ECO-12-010787	11JUN12	TITAN	MARTIN



- NOTES**
- 1 100 TRAY PACK IN ACCORDANCE WITH AMP SPEC 107-3275
 - 2 SINGLE PACK IN ACCORDANCE WITH AMP SPEC 107-3275
 - 3 Au PLATING
 - 4 Ni PLATING
 - 5 FOR TECHNICAL DATA REFER TO YOUR LOCAL TYCO ELECTRONICS SALES OFFICE
 - 6 ALL DIMENSIONS ARE NOMINAL FOR REFERENCE ONLY UNLESS OTHERWISE STATED



	OBSOLETE	OBSOLETE	OBSOLETE					
	1	1	1	1	BRASS	4	MOUNT NUT	6
	1	1	1	1	BRASS	4	SOLDER TAG	5
	1	1	1	1	PHOS BRONZE	3	CONTACT	4
	1	1	-	-	POLYMETHYLPENTENE		INSULATOR	3
	-	-	1	1	POLYMETHYLPENTENE		INSULATOR	2
	1	1	1	1	ZINC ALLOY	4	BODY	1
	5--3	5--2	5--1	5--0	MATERIAL		DESCRIPTION	ITEM
	△	△	△	△				
	QUANTITY PER ASSY				PARTS LIST			

THIS DRAWING IS A CONTROLLED DOCUMENT.

DWN RITA ZUO 14 Feb 09
 CHK ANSON MA 14 Feb 09
 APVD BOB ZHAO 14 Feb 09

STE TE Connectivity

NAME: BNC BULKHEAD SOCKET REAR MOUNT WITH SOLDER TAG

PRODUCT SPEC: 108-112000

APPLICATION SPEC: -

SIZE: A3 CAGE CODE: 00779 DRAWING NO: C-1634518 RESTRICTED TO: -

WEIGHT: -

CUSTOMER DRAWING SCALE: NTS SHEET: 1 OF 1 REV: C

DIMENSIONS:	TOLERANCES UNLESS OTHERWISE SPECIFIED:
mm	
0 PLC	± -
1 PLC	± -
2 PLC	± -
3 PLC	± -
4 PLC	± -
ANGLES	± -
MATERIAL	FINISH
SEE TABLE	-