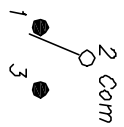


RECOMMENDED P.C.B. LAYOUT



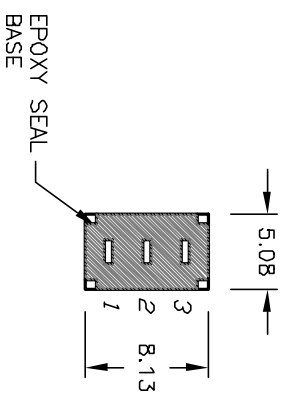
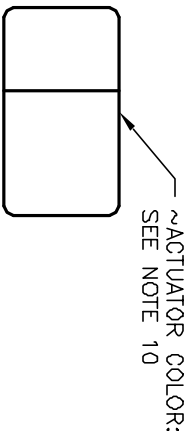
CIRCUIT: SPDT  
CONTACT CONFIGURATION

SWITCH FUNCTION		
PDS, 1	PDS, 2	PDS, 3
<DN>	OFF	<DN>
2-3	OPEN	2-1

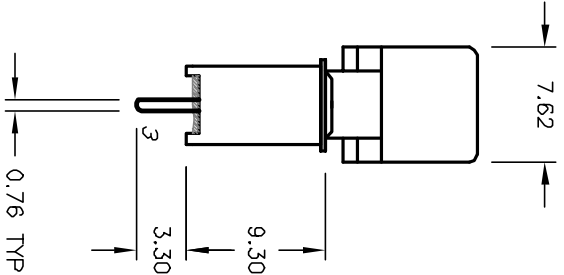
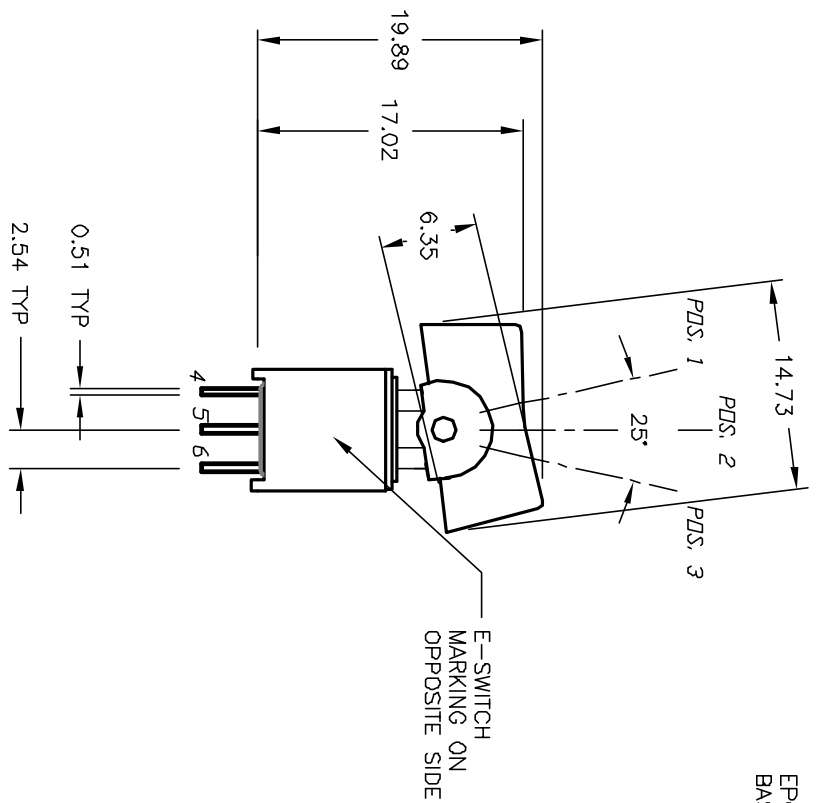
( )=Momentary

NOTES:

1. ALL DIMENSIONS IN MM
2. GENERAL TOLERANCE: X.X=±0.4  
X.XX=±0.25
3. TERM. NDS. FOR REF. ONLY
4. RATING: 3A @120VAC or 28VDC.  
1A @250VAC.
5. FIXED TERM/MOVING CONTACT  
COPPER ALLOY W/SILVER PLATING
6. ELECTRICAL LIFE: 30,000 MAKE-AND-BREAK  
CYCLES AT FULL LOAD.
7. INSULATION RESISTANCE: 1000M OHM TYPICAL
8. DIELECTRIC STRENGTH: 1,000 V RMS @SEA LEVEL
9. OPERATING TEMP.: -30°C to +85°C
10. ACTUATOR: NYLON BLACK (UL94-HB)



BOTTOM VIEW



B	12664	REVISED NOTE 4	12/26/02	CB
A	12207	RELEASED FOR PRODUCTION	9/13/02	CB
REV.	ECN NO.	DESCRIPTION	DATE	CHKD

TITLE		400A WMSP-4 R1 (BLK) M2 QF	
SCALE	DATE	DR	DWG
2:1	9/13/02	CB	T403408
E-SWITCH®		REV	B

THE INFORMATION CONTAINED IN THIS DOCUMENT IS PROPRIETARY TO E-SWITCH AND IS NOT TO BE COPIED OR TRANSMITTED