

ITEM	PART#	DESCRIPTION	QTY	UOM
A	2059792041	M-ONE 2.0 RECHSG 4CKT BK	1	PC
B	561349001	2.0 WTB CONN CRIMP REC AWG#22-#24 CHAIN	4	PC
C	--	PAPER PRINTED PAPER WHITE	1	PC

FROM	TO	DESCRIPTION	COLOR
A1	--	1X22AWG DISC PVC BK UL1569 HOOKUP	BLACK
A2	--	1X22AWG DISC PVC BK UL1569 HOOKUP	BLACK
A3	--	1X22AWG DISC PVC BK UL1569 HOOKUP	BLACK
A4	--	1X22AWG DISC PVC BK UL1569 HOOKUP	BLACK

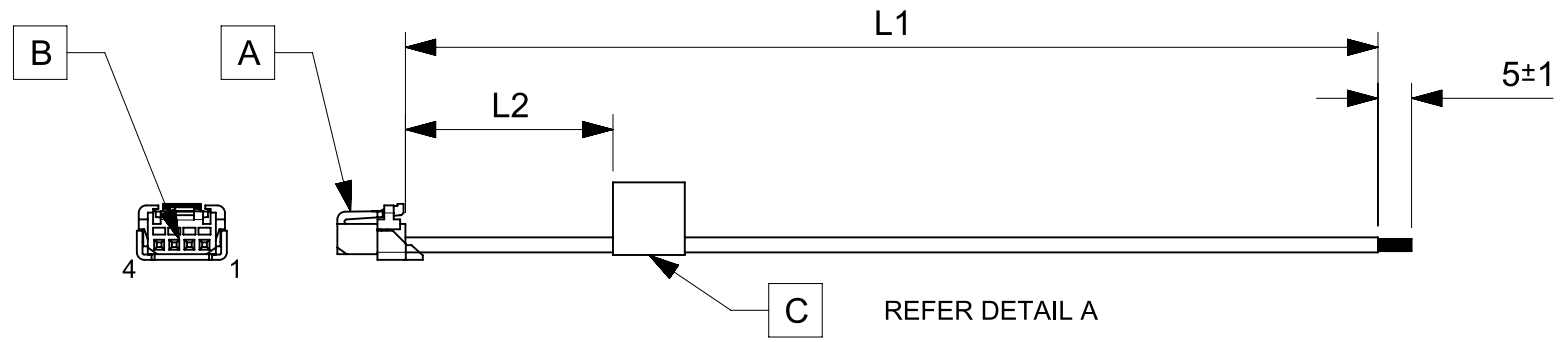


TABLE			
PART NUMBER	L1	L2 (REF)	TITLE
2196531040	50±3	15	Micro-One ISL R-S 4ckt 50mm disc Sn
2196531041	100±3	15	Micro-One ISL R-S 4ckt 100mm disc Sn
2196531042	150±4	15	Micro-One ISL R-S 4ckt 150mm disc Sn
2196531043	300±4	15	Micro-One ISL R-S 4ckt 300mm disc Sn
2196531044	600±6	15	Micro-One ISL R-S 4ckt 600mm disc Sn

**NOTES**

1. Connector view shown is from mating side.
2. Label text must be 2mm max. in height with Arial font.
3. Label must be wrapped in Flag type on a single cable.
4. Free ends must be stripped, twisted & tinned. The length of tinning is 5±1mm. Tinning Dia must be 0.9 mm Max.

MOLEX P/N  
MOLEX  
BATCH WK/YR  
DETAIL A

REVISION			
DATE	REV	DESCRIPTION	CHANGER
2021/12/27	A	INITIAL RELEASE	SAIKIG

FUNCTIONAL SYMBOLS $\frac{F}{A} = 0$ $\frac{F}{E} = 0$ $\frac{F}{P} = 0$ DIVISIONAL SYMBOLS	THIS DRAWING CONTAINS INFORMATION THAT IS PROPRIETARY TO MOLEX ELECTRONIC TECHNOLOGIES, LLC AND SHOULD NOT BE USED WITHOUT WRITTEN PERMISSION		CURRENT REV DESC:		<p>SEE TABLE</p>
	DIMENSION UNITS	SCALE	EC NO: 690621		
	mm	NTS	DRWN: SAIKIG 2021/12/25		
	GENERAL TOLERANCES (UNLESS SPECIFIED)		CHK'D: MNARAYAN01 2022/01/11		
ANGULAR TOL ± °		APPR: MNARAYAN01 2022/01/11		PRODUCT CUSTOMER DRAWING	
4 PLACES ±		INITIAL REVISION:		DOCUMENT NUMBER	DOC TYPE
3 PLACES ±		DRWN: SAIKIG 2021/12/25		2196531040	PSD
2 PLACES ±		APPR: MNARAYAN01 2022/01/11		000	REVISION
1 PLACE ±		MATERIAL NUMBER		GENERAL MARKET	A
0 PLACES ±		CUSTOMER		SEE TABLE	1 OF 1
DRAFT WHERE APPLICABLE MUST REMAIN WITHIN DIMENSIONS		THIRD ANGLE PROJECTION	DRAWING	SERIES	SHEET NUMBER
			A4-SIZE	219653	