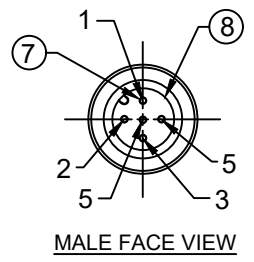
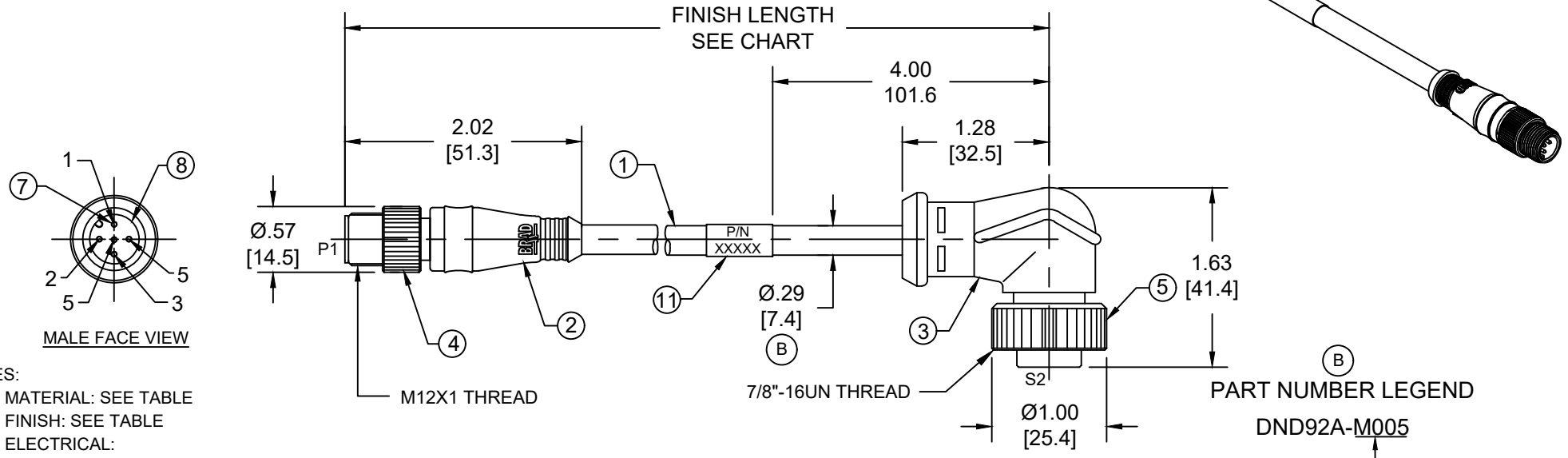
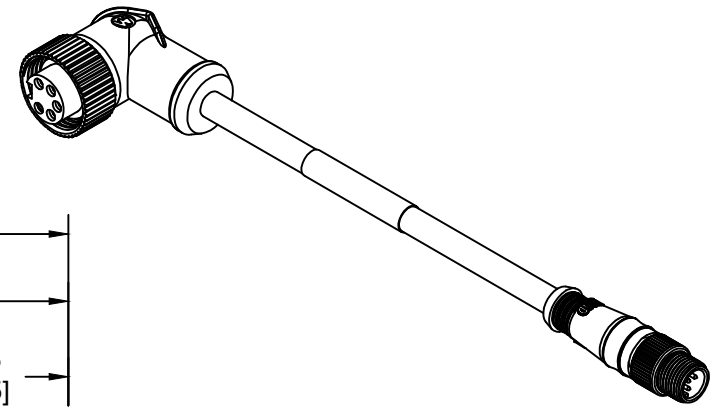


SAP P/N #	ENGINEERING P/N	FINISHED LENGTH
1300390208	DND92A-M005	0.5M [ 1FT 8 IN ]
1300390211	DND92A-M020	2M [ 6FT 7 IN ]
1300390213	DND92A-M050	5M [ 16FT 5 IN ]

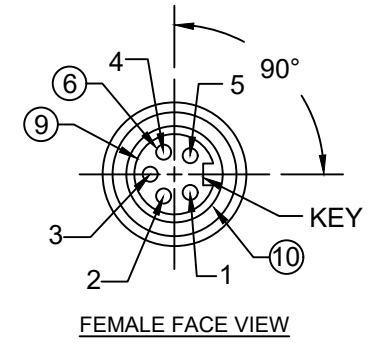


- NOTES:
- MATERIAL: SEE TABLE
  - FINISH: SEE TABLE
  - ELECTRICAL:  
VOLTAGE: 250V  
CURRENT: 4A
  - TEMP RATING: -20°C TO +80°C
  - PROTECTION: IP67 (WHEN MATED)
  - UL LISTED FILE: E152210 (B)  
CSA CERTIFIED FILE: LR6837 (B)
  - ALL DIMENSIONS ARE FOR REFERENCE UNLESS TOLERANCED OR NOTED OTHERWISE

**PART NUMBER LEGEND**  
**DND92A-M005**  
 LENGTH:  
 M005= 0.5 METER  
 M010= 1 METER  
 M100= 10 METER

P1		S2
1	DRAIN	1
2	RED	2
3	BLACK	3
4	WHITE	4
5	BLUE	5

WIRING DIAGRAM



11	WRAP LABEL	VINYL	BLACK/YELLOW
10	FRICTION RING	NYLON	WHITE
9	FEMALE INSERT(MINI)	TPE	BLACK
8	MALE INSERT(MICRO)	NYLON	BLACK
7	PIN CONTACT	COPPER ALLOY	GOLD OVER NICKEL
6	SOCKET CONTACT	COPPER ALLOY	GOLD OVER NICKEL
5	COUPLING NUT(MINI)	ZINC DIE-CAST	BLACK E-COAT
4	COUPLING NUT(MICRO)	ZINC DIE-CAST	BLACK E-COAT
3	OVERMOLD(MINI)	TPC	GRAY
2	OVERMOLD(MICRO)	TPC	GRAY
1	DEVICENET DROP CABLE	PVC JACKET	GRAY
ITEM	COMPONENT	MATERIAL	FINISH

DOCUMENT STATUS	P1	RELEASE DATE	2022/09/09	18:08:09
-----------------	----	--------------	------------	----------

FUNCTIONAL SYMBOLS										THIS DRAWING CONTAINS INFORMATION THAT IS PROPRIETARY TO MOLEX ELECTRONIC TECHNOLOGIES, LLC AND SHOULD NOT BE USED WITHOUT WRITTEN PERMISSION									
DIMENSION UNITS					SCALE					CURRENT REV DESC: ITEM-2, 3 & 9 WERE PVC. ADDED ITEM-10, TOL CHART, UL, CSA, CABLE DIA AND PN LEGEND. MODIFIED PN CHART									
INCH/MM					NTS														
GENERAL TOLERANCES (UNLESS SPECIFIED)																			
					mm					INCH									
4 PLACES					±----					±----					EC NO: 720800				
3 PLACES					±----					±----					DRWN: ABENJAMINLW 2022/07/28				
2 PLACES					±----					±----					CHK'D: RSTONE 2022/09/09				
1 PLACE					±----					±----					APPR: BWOODMAN 2022/09/09				
0 PLACES					±----					±----					INITIAL REVISION:				
ANGULAR TOL ±----					°					DRWN: TWOLDEGE 2010/01/11					DOCUMENT NUMBER				
DRAFT WHERE APPLICABLE MUST REMAIN WITHIN DIMENSIONS					THIRD ANGLE PROJECTION					DRAWING					SERIES				
					A-SIZE					130039					MATERIAL NUMBER				
					SEE CHART					GENERAL MARKET					CUSTOMER				
															PSD 001 B				
															SHEET NUMBER				
															1 OF 1				

**molex**

MICRO-MINI CHANGE DEVICENET, M12-A-SIZE, 5 POLE, MALE STRAIGHT-FEMALE 90DEG, SINGLE KEY, #22/4 AWG

PRODUCT CUSTOMER DRAWING

DOCUMENT NUMBER: SD-130039-024

DOC TYPE: PSD

DOC PART: 001

REVISION: B