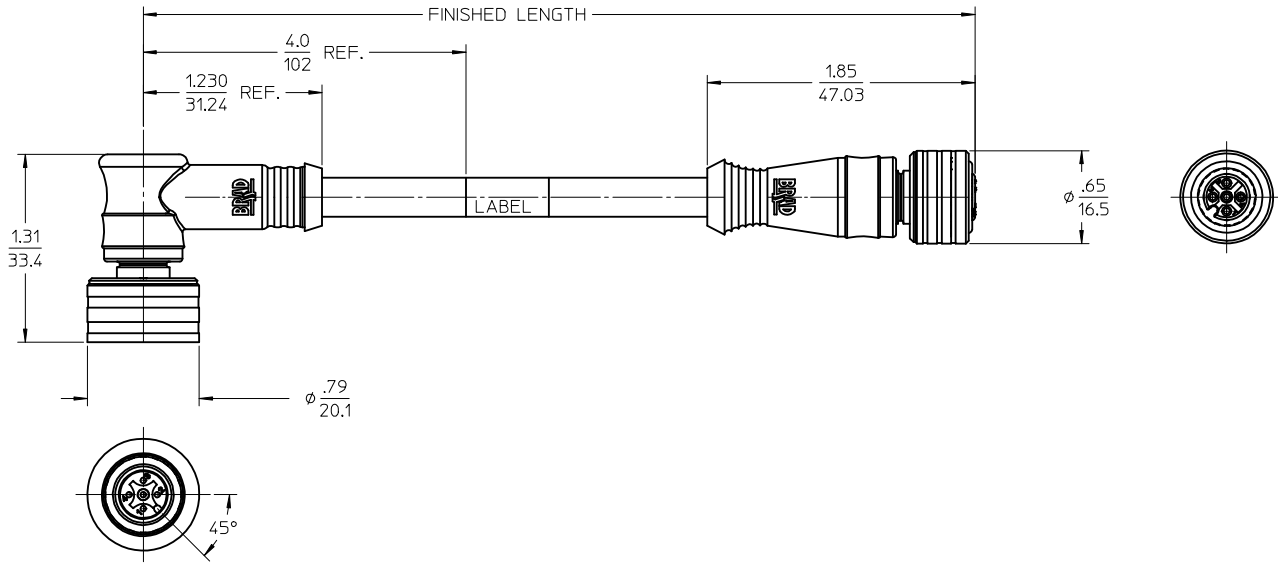


13	12	11	10	9	8	7	6	5	4	3	2	1
PART NUMBER	ENGINEERING NO.	FINISHED LENGTH										
1200800510	WW5032K03M040	13'1" +6"-0 [4M +150MM -0]										
1200800509	WW5032K03M060	19'8" +6"-0 [6M +150MM -0]										
1200800508	WW5032K03M080	26'3" +12.5"-0 [8M +317MM -0]										
1200800494	WW5032K03M100	32'6" +6"-0 [10M +317MM -0]										



- NOTES:
- WRAP LABEL IS MARKED WITH P/N, DATE CODE VOLTAGE & AMPERAGE.
 - MATES WITH MICRO CHANGE 5 POLE RECEPTACLE
 - ELECTRICAL DATA.
 INLINE CORDSET
 MALE A-CODING TO FEMALE A-CODING
 18AWG UNSHIELDED
 POLES: 5
 MAX. VOLTAGE: 250V
 MAX. CURRENT: 4A
 CONTACT RESISTANCE: LESS THAN 50hm
 PROTECTION IP67/68/69K
 TEMPERATURE RANGE: -25° TO 90°C
 - PACKAGING:
 CABLE ASSEMBLIES ARE BAGGED SEPERATELY IN POLY BAGS WITH BAR CODE LABEL ATTACHED TO OUTSIDE OF BAG.
 - ASSEMBLY IS RoHS COMPLIANT
 cCSAus

1	BROWN	1
2	WHITE	2
3	BLUE	3
4	BLACK	4
5	GRAY	5

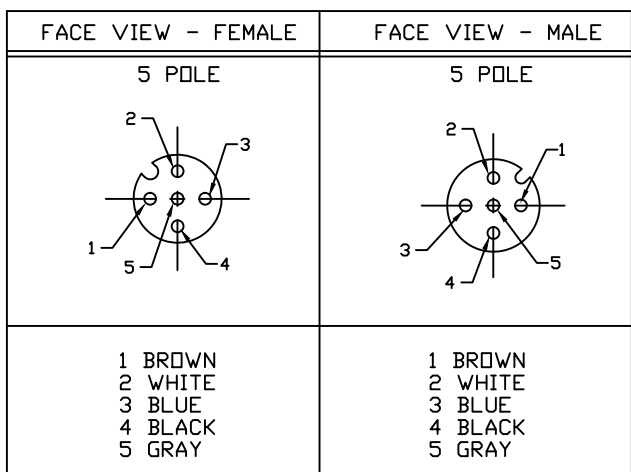
WIRING DIAGRAM

WW5032K03M040

- | | |
|------------|-----------------|
| CABLE TYPE | CABLE LENGTH |
| #18/5AWG | 040---4 Meters |
| TPE YELLOW | 060---6 Meters |
| | 080---8 Meters |
| | 100---10 Meters |

LABEL	PLASTIC FILM	BLACK/YELLOW
CONTACT	COPPER ALLOY	GOLD PLATED
COUPLING NUT	BRASS	NICKEL PLATED
INSERT	PUR	BLACK
OVERMOLD	TPE	YELLOW
CABLE #18/5AWG	TPE JACKET	YELLOW
DESCRIPTION	MATERIAL	FINISH

RELEASED EC NO: IPG2015-1998 DRWG:GGUSTAFSON 2015/05/20 CHKD:BARDEN 2015/07/10 APPR:BWODMAN 2015/05/22	QUALITY SYMBOLS	GENERAL TOLERANCES (UNLESS SPECIFIED)	DIMENSION STYLE	SCALE	DESIGN UNITS	THIRD ANGLE PROJECTION																										
	$\nabla=0$ $\nabla=0$	<table border="1"> <thead> <tr> <th></th> <th>mm</th> <th>INCH</th> </tr> </thead> <tbody> <tr> <td>4 PLACES</td> <td>±.005</td> <td>±.0005</td> </tr> <tr> <td>3 PLACES</td> <td>±.010</td> <td>±.0010</td> </tr> <tr> <td>2 PLACES</td> <td>±.015</td> <td>±.0015</td> </tr> <tr> <td>1 PLACE</td> <td>±.020</td> <td>±.0020</td> </tr> <tr> <td>0 PLACE</td> <td>±.025</td> <td>±.0025</td> </tr> </tbody> </table>		mm	INCH	4 PLACES	±.005	±.0005	3 PLACES	±.010	±.0010	2 PLACES	±.015	±.0015	1 PLACE	±.020	±.0020	0 PLACE	±.025	±.0025	<table border="1"> <thead> <tr> <th>IN/MM</th> <th>DATE</th> </tr> </thead> <tbody> <tr> <td>DRAWN BY GGUSTAFSON</td> <td>2015/05/20</td> </tr> <tr> <td>CHECKED BY BARDEN</td> <td>2015/07/10</td> </tr> <tr> <td>APPROVED BY BWODMAN</td> <td>2015/05/22</td> </tr> </tbody> </table>	IN/MM	DATE	DRAWN BY GGUSTAFSON	2015/05/20	CHECKED BY BARDEN	2015/07/10	APPROVED BY BWODMAN	2015/05/22	1:1	INCH	
		mm	INCH																													
	4 PLACES	±.005	±.0005																													
3 PLACES	±.010	±.0010																														
2 PLACES	±.015	±.0015																														
1 PLACE	±.020	±.0020																														
0 PLACE	±.025	±.0025																														
IN/MM	DATE																															
DRAWN BY GGUSTAFSON	2015/05/20																															
CHECKED BY BARDEN	2015/07/10																															
APPROVED BY BWODMAN	2015/05/22																															
REV A	ANGULAR ±.5°	DRAFT WHERE APPLICABLE MUST REMAIN WITHIN DIMENSIONS	SEE CHART	DOCUMENT NO.	MIC 5P MFE ULOCK 90/ST 18/5AWG TPE molex SD-120080-0510																											



PART NUMBER LEGEND

WW5030K03M100

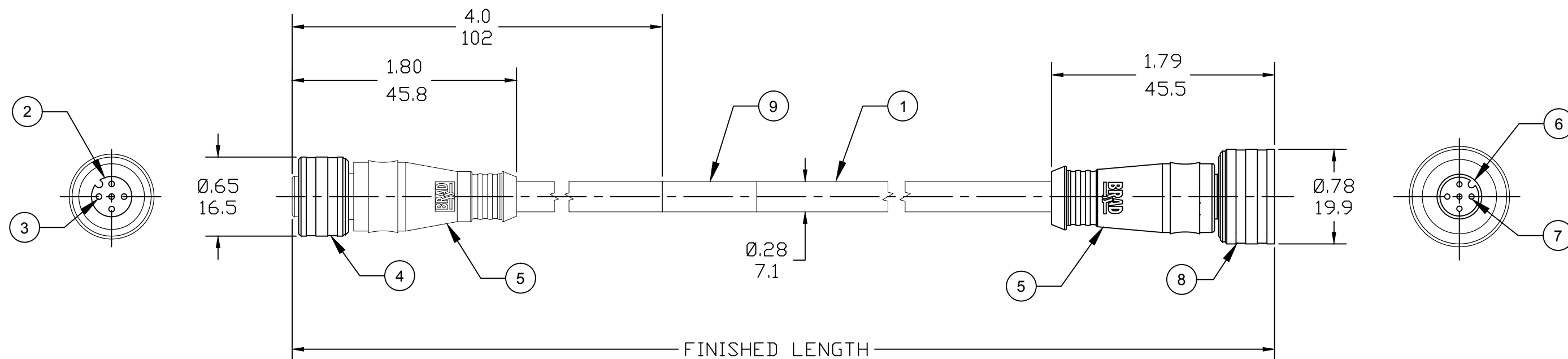
POLES →

WIRE TYPE →
18 AWG TPE

FINISHED LENGTH:
M005= 0.5 METER
M010= 1 METER
M100= 10 METER

CABLE LENGTH TOLERANCES

>.3M [1FT]:	+19mm-0 [+ .75in-0]
.3 - .9M [1 - 3FT]:	+44.5mm-0 [+1.75in-0]
.9 - 1.8M [3 - 6FT]:	+55.6mm-0 [+2.19in-0]
1.8 - 3.7M [6 - 12FT]:	+88.9mm-0 [+3.50in-0]
3.7 - 7.3M [12 - 24FT]:	+165.1mm-0 [+6.50in-0]
7.3-14.6M [24 - 48FT]:	+317.5mm-0 [+12.50in-0]
14.6 - 30.5M [48-100FT]:	+622.3mm-0 [+24.50in-0]
OVER 30M [100FT]	+2% OF FINISHED LENGTH



- NOTES:**
1. MATERIAL: AS NOTED
 2. FINISH: AS NOTED
 3. ELECTRICAL:
VOLTAGE: 250V
CURRENT: 4A
 4. TEMP RATING: -20° TO +105°C
 5. PROTECTION: IP67 (WHEN MATED)
 6. COUPLING TYPE: ULTRA-LOCK
 7. O-RING SEAL MATERIAL: EPDM
 8. CSA RECOGNIZED PER FILE: LR6837
 9. ALL DIMS ARE FOR REFERENCE UNLESS NOTED OTHERWISE

PART NO.	ENGINEERING NO.	FINISHED LENGTH
1200800493	WW5030K03M100	10.0M [32FT,10in]

ITEM	DESCRIPTION	MATERIAL	FINISH
9	WRAP LABEL	THERMOPLASTIC	BLACK/YELLOW
8	COUPLING SLEEVE, MALE	BRASS	NICKEL
7	CONTACT PIN	COPPER ALLOY	GOLD PLATED
6	MALE INSERT	PUR	BLACK
5	OVERMOLDS	TPE	YELLOW
4	COUPLING SLEEVE, FEMALE	BRASS	NICKEL
3	CONTACT SOCKET	COPPER ALLOY	GOLD PLATED
2	FEMALE INSERT	PUR	BLACK
1	CABLE, 18 AWG	TPE JACKET	YELLOW

RELEASE EC NO: IPG2020-0011 DRWN: JCAPPOZZ 2019/08/13 CHKD: RSTONE 2019-8/13 APPR: BWOODMAN 2019/08/15	DESCRIPTION REV A	QUALITY SYMBOLS 	GENERAL TOLERANCES (UNLESS SPECIFIED) <table border="1"> <thead> <tr> <th></th> <th>mm</th> <th>INCH</th> </tr> </thead> <tbody> <tr> <td>4 PLACES</td> <td>±---</td> <td>±---</td> </tr> <tr> <td>3 PLACES</td> <td>±---</td> <td>±---</td> </tr> <tr> <td>2 PLACES</td> <td>±0.05</td> <td>±---</td> </tr> <tr> <td>1 PLACE</td> <td>±0.10</td> <td>±---</td> </tr> </tbody> </table>		mm	INCH	4 PLACES	±---	±---	3 PLACES	±---	±---	2 PLACES	±0.05	±---	1 PLACE	±0.10	±---	DIMENSION STYLE IN/MM	DRAWN BY: JCAPPOZZ DATE: 2019/08/13 CHECKED BY: RSTONE DATE: 2019/08/13 APPROVED BY: BWOODMAN DATE: 2019/08/15	SCALE: NTS DESIGN UNITS: INCH THIRD ANGLE PROJECTION
			mm	INCH																	
		4 PLACES	±---	±---																	
		3 PLACES	±---	±---																	
2 PLACES	±0.05	±---																			
1 PLACE	±0.10	±---																			
DRAFT WHERE APPLICABLE MUST REMAIN WITHIN DIMENSIONS			SEE P/N CHART	MATERIAL NO. DOCUMENT NO. SD-120080-092	TITLE ULTRA-LOCK CORD ASSY 5P FEMALE/MALE, SNGL KEY	SHEET NO. 1 OF 1															
THIS DRAWING CONTAINS INFORMATION THAT IS PROPRIETARY TO MOLEX INCORPORATED AND SHOULD NOT BE USED WITHOUT WRITTEN PERMISSION																					

F

E

D

C

B

A

F

E

D

C

B

A

10 9 8 7 6 5 4 3 2 1

10 9 8 7 6 5 4 3 2 1