

MATERIALS AND FINISHES

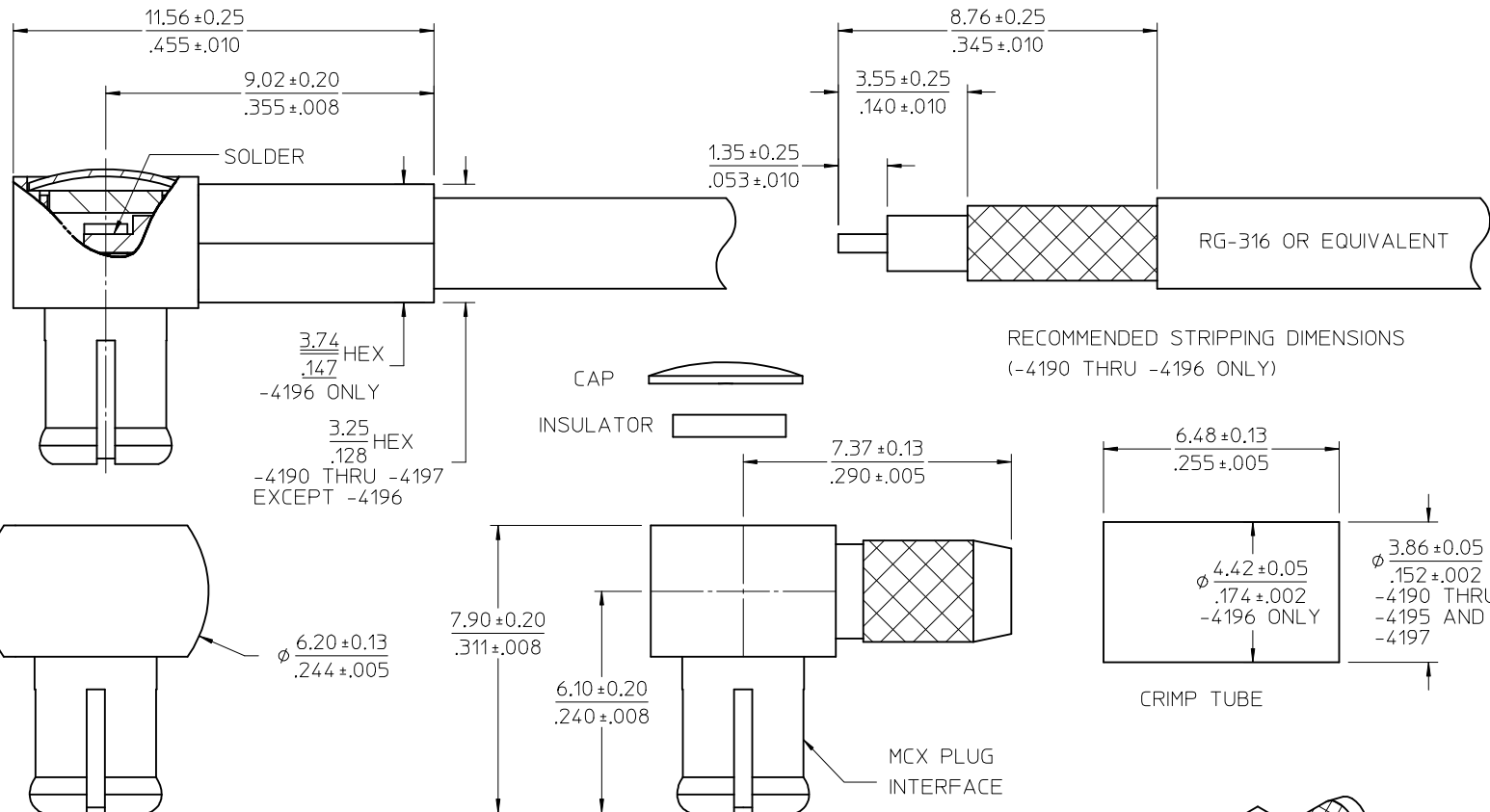
BODY, CRIMP TUBE, CAP: BRASS
PLATED: SEE TABLE

CENTER CONTACT: BRASS
PLATED: SEE TABLE

INSULATOR, SPACER: TEFLON

OUTER CONTACT: BERYLLIUM COPPER
PLATED: SEE TABLE

NOTE: ALL GOLD PLATING IS OVER A NICKEL LAYER

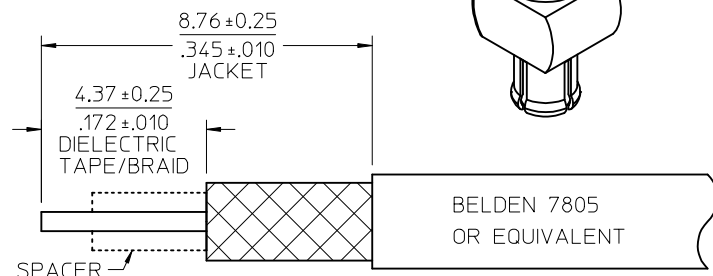


SPACER
(-4197 ONLY)

RECOMMENDED STRIPPING DIMENSIONS
(-4190 THRU -4196 ONLY)

RECOMMENDED STRIPPING DIMENSIONS (-4197 ONLY)

73415-4197	GOLD 10 MICRO-IN	GOLD 30 MICRO-IN	GOLD 30 MICRO-IN	GOLD 10 MICRO-IN
73415-4196	NICKEL 70 MICRO-IN	GOLD 30 MICRO-IN	GOLD 30 MICRO-IN	NICKEL 70 MICRO-IN
73415-4195	NICKEL 70 MICRO-IN	GOLD 30 MICRO-IN	GOLD 30 MICRO-IN	NICKEL 70 MICRO-IN
73415-4194	GOLD 10 MICRO-IN	GOLD 30 MICRO-IN	GOLD 30 MICRO-IN	GOLD 10 MICRO-IN
73415-4193	NICKEL 70 MICRO-IN	GOLD 30 MICRO-IN	GOLD 30 MICRO-IN	NICKEL 70 MICRO-IN
73415-4192	NICKEL 70 MICRO-IN	NICKEL 70 MICRO-IN	GOLD 30 MICRO-IN	NICKEL 70 MICRO-IN
73415-4191	GOLD 5 MICRO-IN	GOLD 10 MICRO-IN	GOLD 10 MICRO-IN	GOLD 10 MICRO-IN
73415-4190	NICKEL 70 MICRO-IN	NICKEL 70 MICRO-IN	GOLD 10 MICRO-IN	NICKEL 70 MICRO-IN
PART NO.	FINISH BODY	FINISH OC	FINISH CONTACT	FERRULE & CAP



CECC-22-220		INTERFACE	CHG/UPDATE BODY FOR -4197 EC NO: URF2013-0252 DRW:SSSHAH 2012/10/30 CHKD:JLEE 2012/10/30 APPR:JWIENER 2012/10/30	QUALITY SYMBOLS ▽=0 ▽=0
SPECIFICATION		DESCRIPTION		

GENERAL TOLERANCES (UNLESS SPECIFIED)		DIMENSION STYLE MM/IN		SCALE	DESIGN UNITS METRIC	THIRD ANGLE PROJECTION
4 PLACES	± .005	± .005	DRAWN BY SSS	DATE 2004/05/11	TITLE MCX R/A PLUG 50 OHMS, RG316 EWR2441 MCX-PC	
3 PLACES	± .005	± .005	CHECKED BY TEF	DATE 2004/05/11	MOLEX INCORPORATED	
2 PLACES	± .005	± .005	APPROVED BY JDW	DATE 2004/05/11	DOCUMENT NO. SD-73415-419	
1 PLACE	± .005	± .005	MATERIAL NO. SEE TABLE		SHEET NO. 1 OF 1	
ANGULAR ± 2 °		DRAFT WHERE APPLICABLE MUST REMAIN WITHIN DIMENSIONS		THIS DRAWING CONTAINS INFORMATION THAT IS PROPRIETARY TO MOLEX INCORPORATED AND SHOULD NOT BE USED WITHOUT WRITTEN PERMISSION		

MATERIALS AND FINISHES

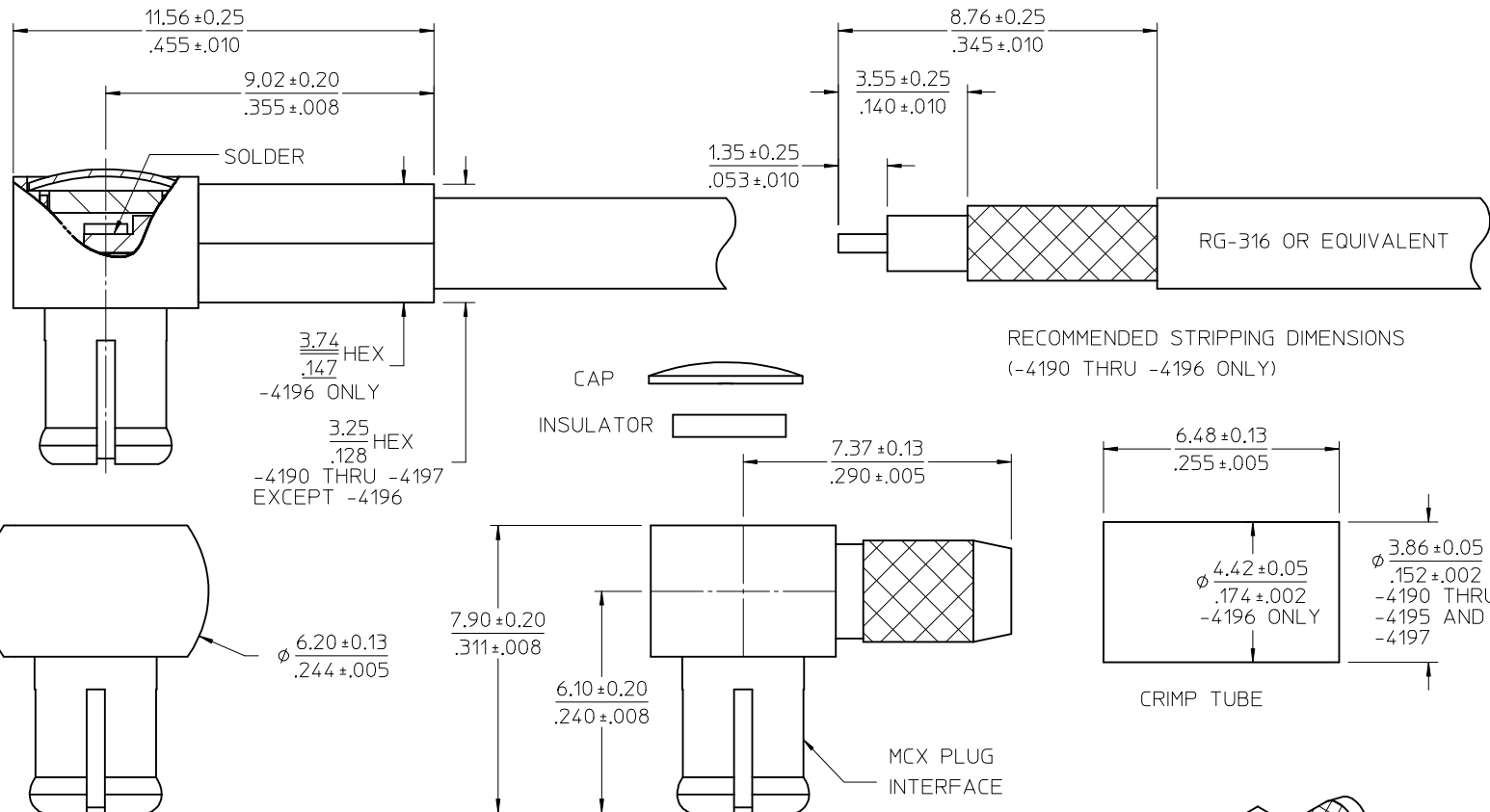
BODY, CRIMP TUBE, CAP: BRASS
PLATED: SEE TABLE

CENTER CONTACT: BRASS
PLATED: SEE TABLE

INSULATOR, SPACER: TEFLON

OUTER CONTACT: BERYLLIUM COPPER
PLATED: SEE TABLE

NOTE: ALL GOLD PLATING IS OVER A NICKEL LAYER



73415-4197	GOLD 10 MICRO-IN	GOLD 30 MICRO-IN	GOLD 30 MICRO-IN	GOLD 10 MICRO-IN
73415-4196	NICKEL 70 MICRO-IN	GOLD 30 MICRO-IN	GOLD 30 MICRO-IN	NICKEL 70 MICRO-IN
73415-4195	NICKEL 70 MICRO-IN	GOLD 30 MICRO-IN	GOLD 30 MICRO-IN	NICKEL 70 MICRO-IN
73415-4194	GOLD 10 MICRO-IN	GOLD 30 MICRO-IN	GOLD 30 MICRO-IN	GOLD 10 MICRO-IN
73415-4193	NICKEL 70 MICRO-IN	GOLD 30 MICRO-IN	GOLD 30 MICRO-IN	NICKEL 70 MICRO-IN
73415-4192	NICKEL 70 MICRO-IN	NICKEL 70 MICRO-IN	GOLD 30 MICRO-IN	NICKEL 70 MICRO-IN
73415-4191	GOLD 5 MICRO-IN	GOLD 10 MICRO-IN	GOLD 10 MICRO-IN	GOLD 10 MICRO-IN
73415-4190	NICKEL 70 MICRO-IN	NICKEL 70 MICRO-IN	GOLD 10 MICRO-IN	NICKEL 70 MICRO-IN
PART NO.	FINISH BODY	FINISH OC	FINISH CONTACT	FERRULE & CAP

--	--	--	--	--

CECC-22-220		INTERFACE
SPECIFICATION		DESCRIPTION

CHG/UPDATE BODY FOR -4197

EC NO: URF2013-0252
 DRW:SSHAH 2012/10/30
 CHKD:JLEE 2012/10/30
 APPR:JWIENER 2012/10/30

QUALITY SYMBOLS
 ▽=0
 ▽=0

GENERAL TOLERANCES (UNLESS SPECIFIED)

	mm	INCH
4 PLACES	± .005	± .0002
3 PLACES	± .004	± .00015
2 PLACES	± .003	± .0001
1 PLACE	± .002	± .00005
ANGULAR ± 2°		

DRAFT WHERE APPLICABLE MUST REMAIN WITHIN DIMENSIONS

DIMENSION STYLE MM/IN

DRAWN BY	DATE
SSS	2004/05/11
CHECKED BY	DATE
TEF	2004/05/11
APPROVED BY	DATE
JDW	2004/05/11

MATERIAL NO. SEE TABLE
 SIZE C

SCALE DESIGN UNITS METRIC

THIRD ANGLE PROJECTION

TITLE
 MCX R/A PLUG
 50 OHMS, RG316
 EWR2441 MCX-PC

MOLEX MOLEX INCORPORATED

DOCUMENT NO. SD-73415-419
 SHEET NO. 1 OF 1

THIS DRAWING CONTAINS INFORMATION THAT IS PROPRIETARY TO MOLEX INCORPORATED AND SHOULD NOT BE USED WITHOUT WRITTEN PERMISSION