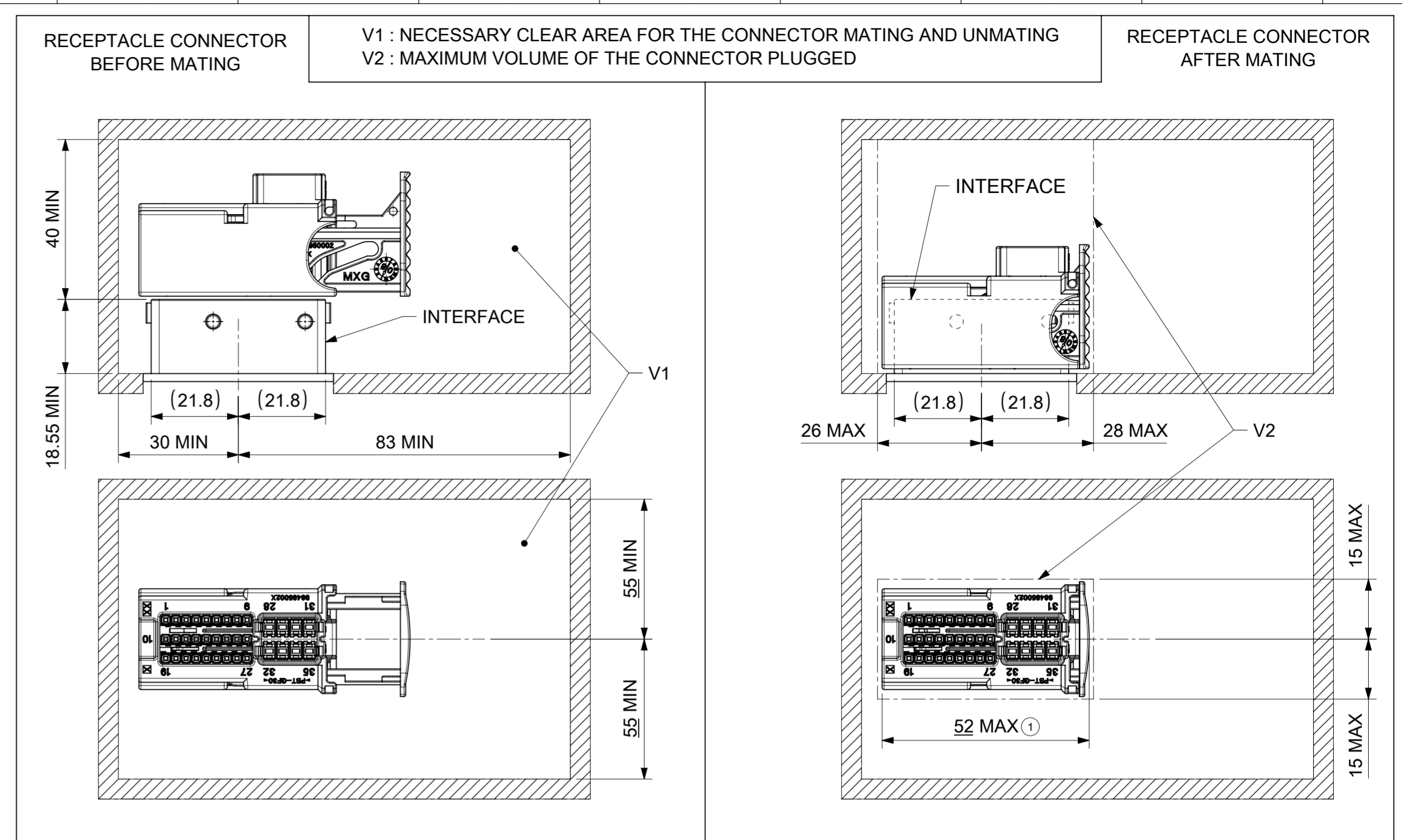
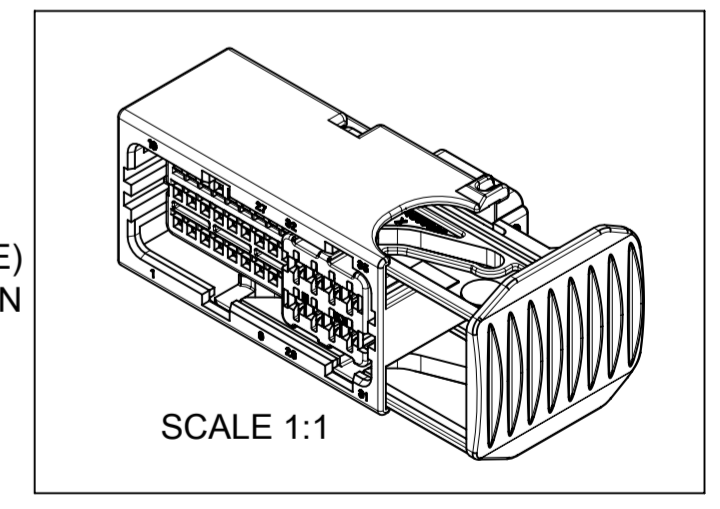


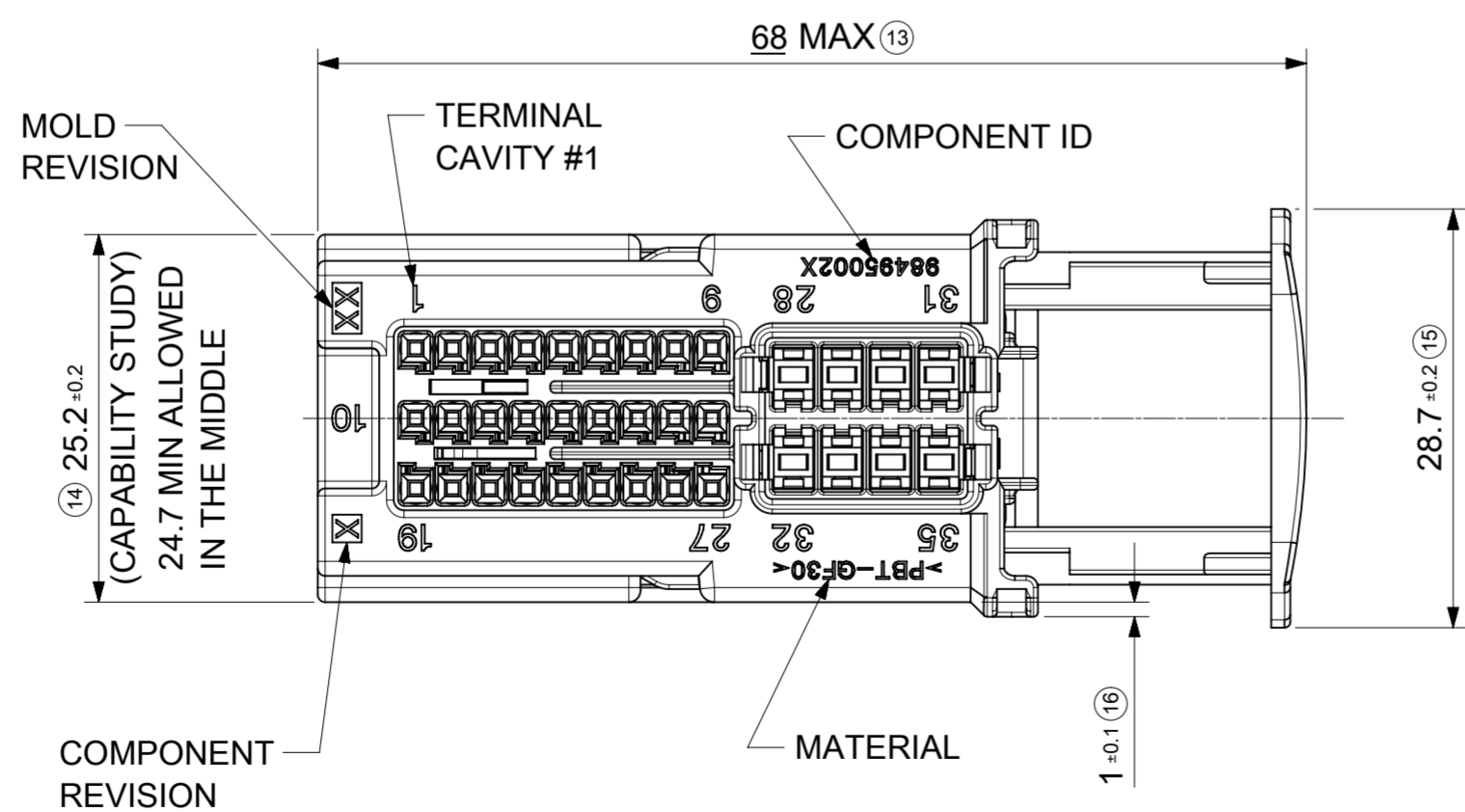
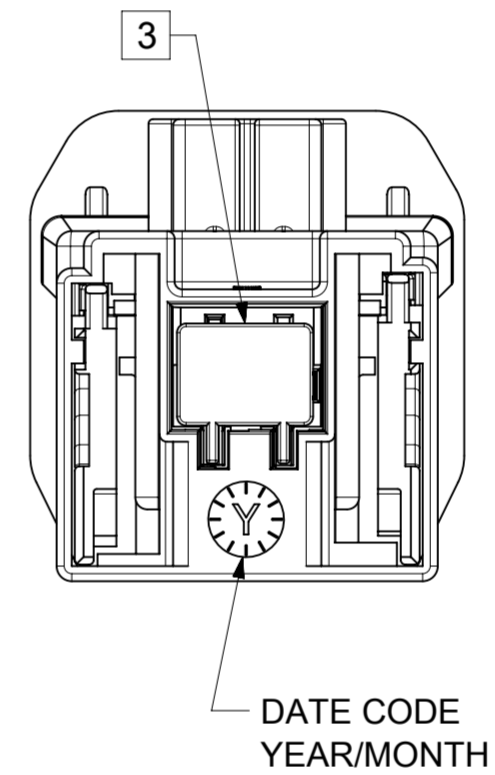
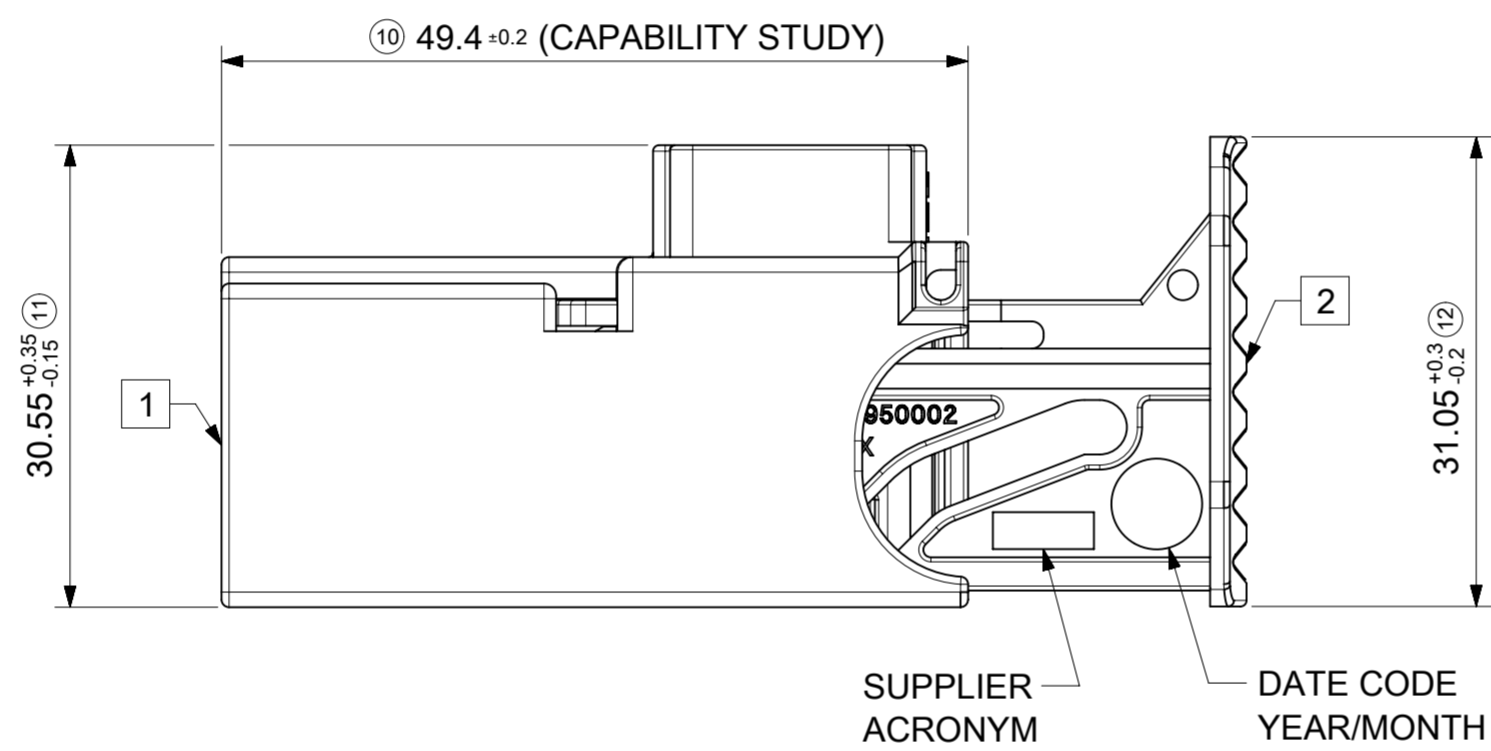
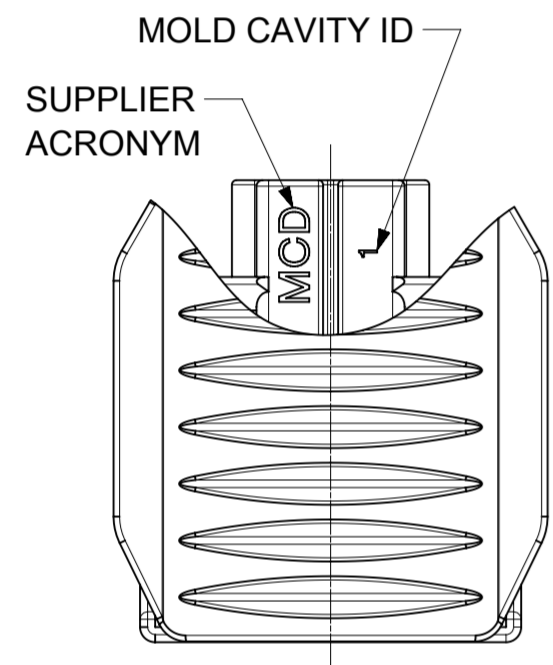
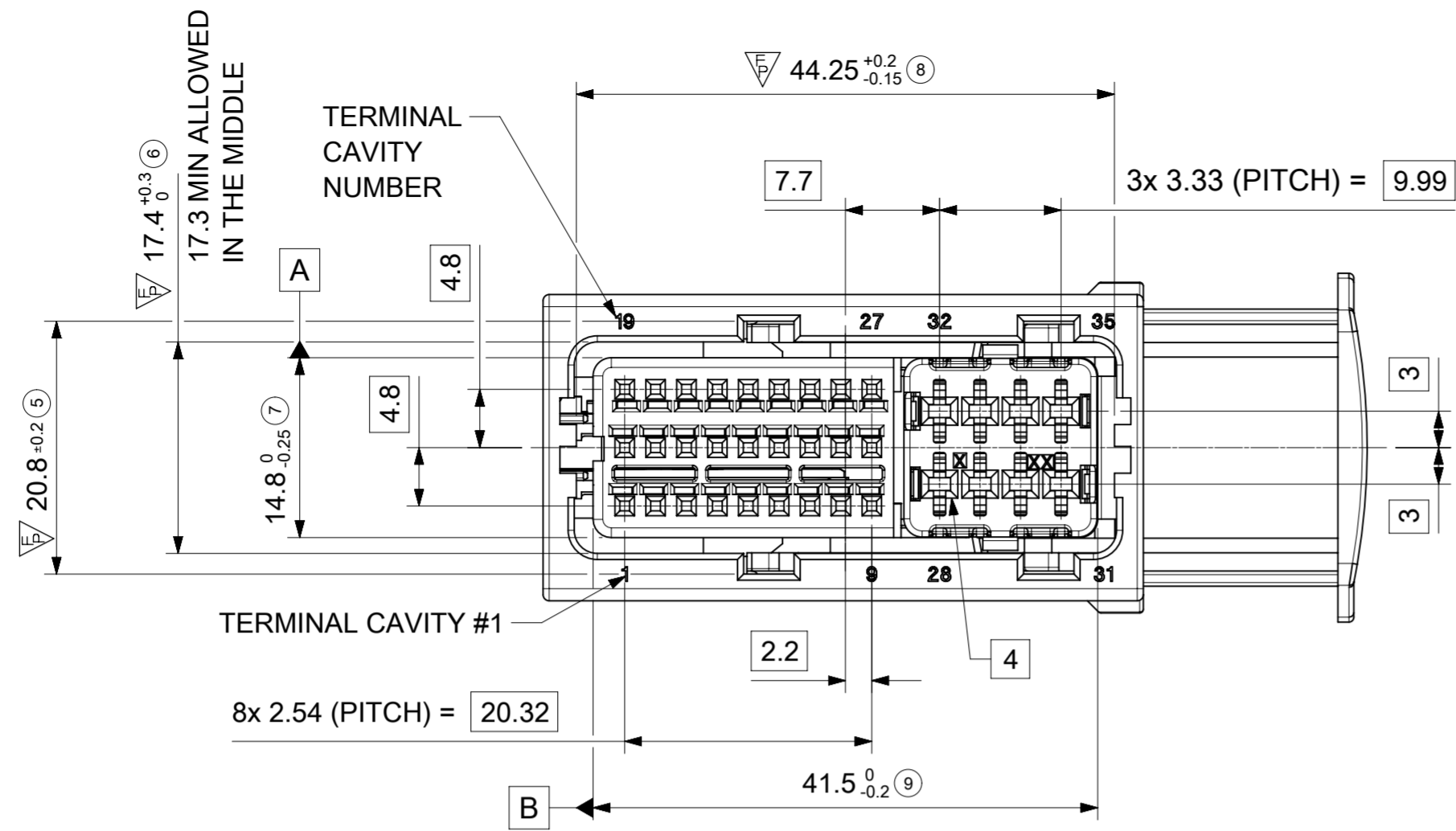
CODING TABLE



- NOTES:
- 1 - PRODUCT SPECIFICATION: 984950001-PS PS 000
 - 2 - APPLICATION SPECIFICATION: 984950001-AS PS 000
 - 3 - PACKAGING SPECIFICATION: PK-31301-336 PDD 001
 - 4 - MATES WITH: 0984981001 (BLACK), 0984981006 (BLUE), 0984981008 (GREY), 0984981009 (BROWN), 0984951000 (WHITE)
 - 5 - FOR USE WITH TERMINALS: SEE APPLICATION SPECIFICATION
 - 6 - PRODUCT WEIGHT (CALCULATED): 22.969g



FUNCTIONAL SYMBOLS	THIS DRAWING CONTAINS INFORMATION THAT IS PROPRIETARY TO MOLEX ELECTRONIC TECHNOLOGIES, LLC AND SHOULD NOT BE USED WITHOUT WRITTEN PERMISSION		CURRENT REV DESC: ADDED CODING	
	DIMENSION UNITS	SCALE		
$F_A = 0$	mm	2:1		
$F_C = 0$	GENERAL TOLERANCES (UNLESS SPECIFIED)			
$F_P = 15$	ANGULAR TOL $\pm 2.0^\circ$			
DIVISIONAL SYMBOLS	4 PLACES	\pm	EC NO: 686818	
	3 PLACES	\pm	DRWN: SCV	2021/11/09
	2 PLACES	± 0.1	CHK'D: OPLESSIS	2021/12/03
	1 PLACE	± 0.2	APPR: FPAROLARI	2021/12/06
	0 PLACES	\pm	INITIAL REVISION:	
	DRAFT WHERE APPLICABLE MUST REMAIN WITHIN DIMENSIONS		DRWN: FPAROLARI	2021/03/02
	FIRST ANGLE PROJECTION		APPR: BDESSIRIER	2021/03/26
	DRAWING	SERIES	MATERIAL NUMBER	CUSTOMER
	A2-SIZE	98495	SEE CODING TABLE	GENERAL MARKET
			DOCUMENT NUMBER	DOC TYPE DOC PART REVISION
			984950001-SD	PSD 000 A1
				SHEET NUMBER
				1 OF 2



4	TPA 1.5	PBT-GF20	YELLOW
3	TPA 0.63	PBT-GF20	YELLOW
2	SLIDE	PBT-GF20	RED
1	FEM HOUSING	PBT-GF30	SEE CODING TABLE
REP	DESCRIPTION	MATERIAL	COLOR

FUNCTIONAL SYMBOLS	THIS DRAWING CONTAINS INFORMATION THAT IS PROPRIETARY TO MOLEX ELECTRONIC TECHNOLOGIES, LLC AND SHOULD NOT BE USED WITHOUT WRITTEN PERMISSION			
$F_A = 0$	DIMENSION UNITS	SCALE	CURRENT REV DESC: ADDED CODING	
$F_C = 0$	mm	2:1		
$F_P = 4$	GENERAL TOLERANCES (UNLESS SPECIFIED)			
	ANGULAR TOL $\pm 2.0^\circ$			
	4 PLACES \pm	EC NO: 686818		
	3 PLACES \pm	DRWN: SCV	2021/11/09	
	2 PLACES ± 0.1	CHK'D: OPLESSIS	2021/12/03	
	1 PLACE ± 0.2	APPR: FPAROLARI	2021/12/06	
	0 PLACES \pm	INITIAL REVISION:		
		DRWN: FPAROLARI	2021/03/02	
		APPR: BDESSIER	2021/03/26	
	DRAFT WHERE APPLICABLE MUST REMAIN WITHIN DIMENSIONS	FIRST ANGLE PROJECTION	DRAWING	SERIES
			A2-SIZE	98495
			MATERIAL NUMBER	CUSTOMER
			SEE CODING TABLE	GENERAL MARKET
			DOCUMENT NUMBER	DOC TYPE DOC PART REVISION
			984950001-SD	PSD 000 A1
				SHEET NUMBER
				2 OF 2