

注記 NOTES

1. 使用材料 MATERIAL
 ハウジング HOUSING: LCP, UL94V-0
 アクチュエータ ACTUATOR: PA46, UL94V-0
 ターミナル: リン青銅 (t=0.12), ニッケル下地 金メッキ
 TERMINAL: PHOSPHOR BRONZE, GOLD OVER NICKEL PLATING.
 金具: リン青銅 (t=0.2), ニッケル下地 錫メッキ
 STOPPER: PHOSPHOR BRONZE, TIN OVER NICKEL PLATING.

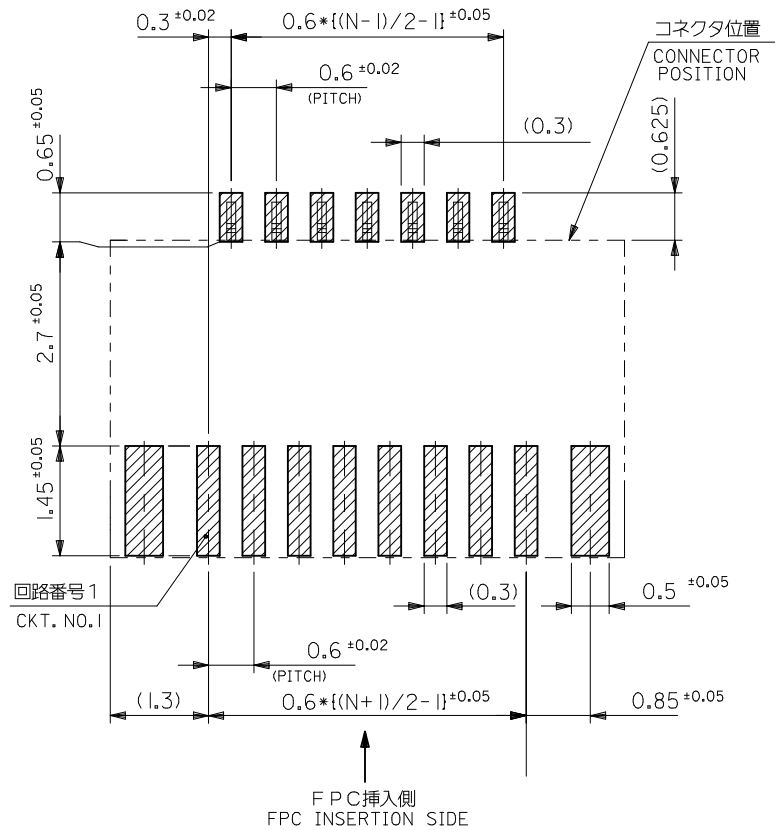
△ ソルダーテール半田付け面のズレ量は、基準面 [R] に対し、
 上方向 OMAX, 下方向 0.1 MAXIMUM とする。
 又、相互のパラツキ量は 0.1 MAXIMUM とする。
 MISALIGNMENT OF SOLDER TAILS AND FITTING NAILS FROM [R]
 UPPER DIRECTION: 0 MAX., LOWER DIRECTION: 0.1 MAXIMUM
 OFFSET BETWEEN SOLDER TAILS AND FITTING NAILS: 0.1 MAXIMUM

3. 一般公差: ±0.3
 GENERAL TOLERANCES: ±0.3

4. 本製品は 54809-**67 の鉛フリー品である。
 THIS PRODUCT IS LEAD FREE OF 54809-**67.

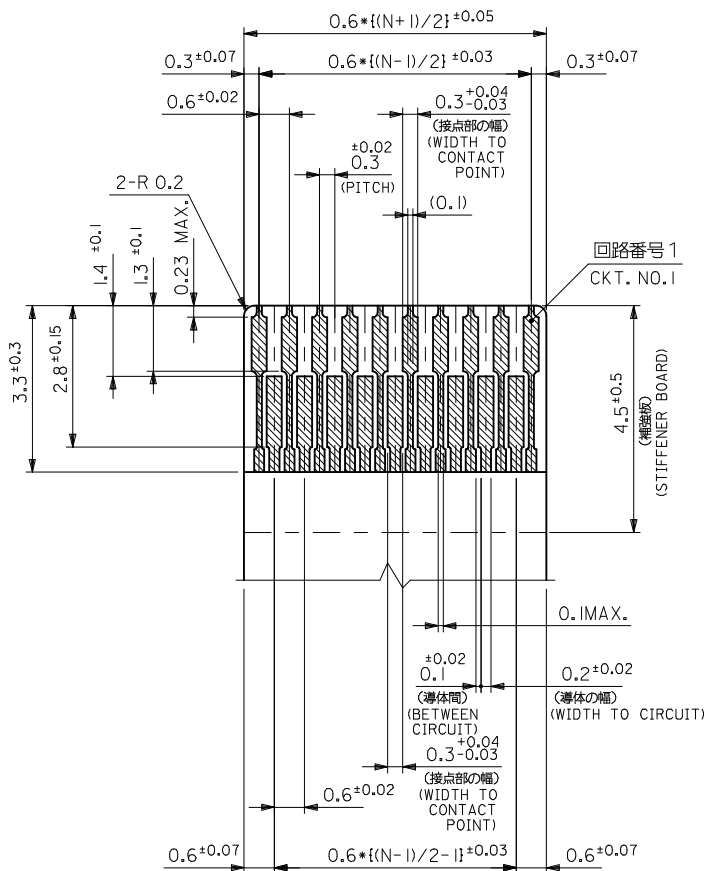
15.6	15.0	14.4	17.6	54809-5175	54809-5169	51
12.0	11.4	10.8	14.0	54809-3975	54809-3969	39
11.4	10.8	10.2	13.4	54809-3775	54809-3769	37
6.6	6.0	5.4	8.6	54809-2175	54809-2169	21
D	C	B	A	EMBOSSED TAPE		MATERIAL NO.
				ORDER No. オート番号		CIRCUITS

REVISED EC NO: J2014-1476 DRWN: AYOSHI 01 2014/03/31 CHKD: YKOBAYASHI 02 2014/03/31 APPR: YNOGAWA 2014/04/17	GENERAL TOLERANCES (UNLESS SPECIFIED)		DIMENSION STYLE MM ONLY		SCALE ---		MODEL NO. 54809-**69	
	10 UNDER	±0.2	DRAWN BY	DATE	TITLE			
	10 OVER 30 UNDER	±0.25	TUENO	'04/02/10	0.3 FPC CONN E/O HSG ASSY GOLD PLT H=1.3 -LEAD FREE-			
	30 OVER	±0.3	CHECKED BY	DATE	molex SD-54809-038			
	ANGULAR ±3 °		APPROVED BY	DATE				
DRAFT WHERE APPLICABLE MUST REMAIN WITHIN DIMENSIONS		MATERIAL NO.		SEE TABLE		SD-54809-038		1 OF 3
		SIZE A3		THIS DRAWING CONTAINS INFORMATION THAT IS PROPRIETARY TO MOLEX INCORPORATED AND SHOULD NOT BE USED WITHOUT WRITTEN PERMISSION				

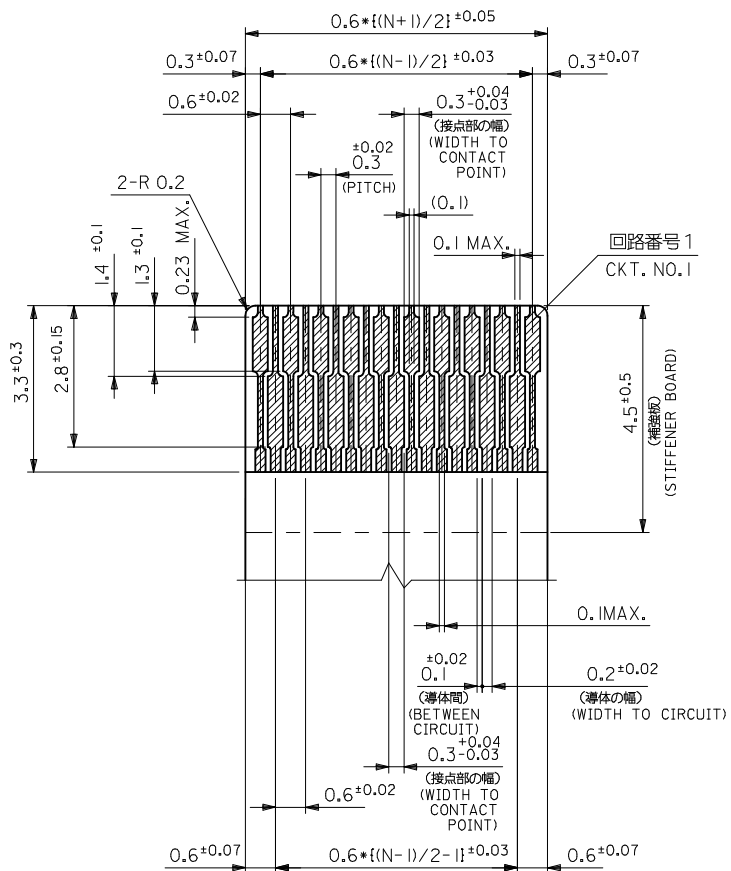


参考基板レイアウト
RECOMMENDED P.C.BOARD
PATTERN DIM. (REF.)
(マウント面)
(MOUNTING SIDE)

REVISED EC NO: J2014-1476 DRWN: YOSHI I 01 2014/03/31 CHKD: YOSHIMOTO 2014/03/31 APPR: YNOGAWA 2014/04/17	GENERAL TOLERANCES (UNLESS SPECIFIED)		DIMENSION STYLE MM ONLY		54809-***69 SCALE --- DESIGN UNITS METRIC		MODEL NO. THIRD ANGLE PROJECTION	
	10 UNDER	±0.2	DRAWN BY	DATE	TITLE			
	10 OVER 30 UNDER	±0.25	TUENO	'04/02/10	0.3 FPC CONN E/O HSG ASSY GOLD PLT H=1.3 -LEAD FREE-			
	30 OVER	±0.3	CHECKED BY	DATE				
ANGULAR ±--- ° DRAFT WHERE APPLICABLE MUST REMAIN WITHIN DIMENSIONS		APPROVED BY	DATE	MSASAO '04/02/10		molex DOCUMENT NO. SD-54809-038		SHEET NO. 2 OF 3
		MATERIAL NO.	DATE	MSASAO '04/02/10				
		SEE SHEET 1		THIS DRAWING CONTAINS INFORMATION THAT IS PROPRIETARY TO MOLEX INCORPORATED AND SHOULD NOT BE USED WITHOUT WRITTEN PERMISSION				



適合FPC推奨寸法 1
 APPLICABLE FPC
 RECOMMENDED DIM. NO.1
 (仕上がり厚さ: 0.2 ± 0.03)
 (THICKNESS : 0.2 ± 0.03)



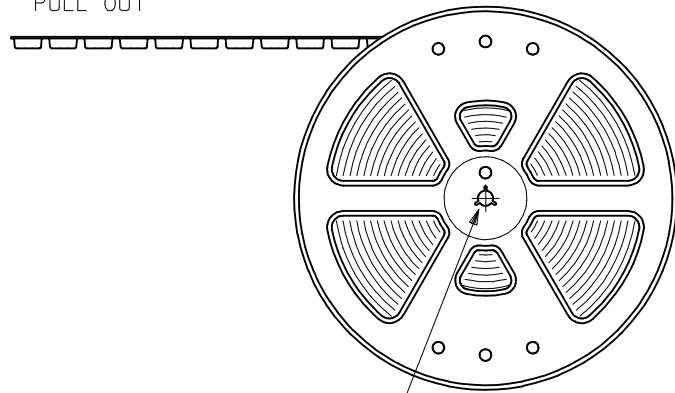
適合FPC推奨寸法 2
 APPLICABLE FPC
 RECOMMENDED DIM. NO.2
 (仕上がり厚さ: 0.2 ± 0.03)
 (THICKNESS : 0.2 ± 0.03)

FPCについて:
 打抜き方向は導体側から補強板側を推奨致します。
 補強フィルム材質はポリイミドを推奨致します。
 接着剤は熱硬化接着剤を推奨致します。

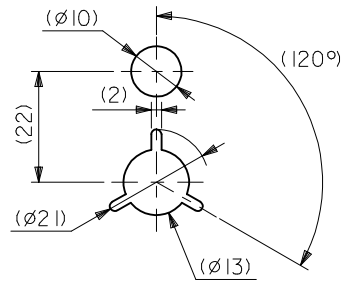
ABOUT FPC :
 RECOMMENDED PUNCHER DIRECTION :
 FROM CONDUCTOR SIDE TO STIFFENER BOARD SIDE.
 RECOMMENDED MATERIAL :
 STIFFENER FILM : POLYIMIDE
 BONDING AGENT : THERMOSETTING BONDING AGENT

REVISED EC NO: J2014-1476 DRWN:AYOSHI 2014/03/31 CHKD:YKOBAYASHI 2014/03/31 APPR:YNOGAWA 2014/04/17	GENERAL TOLERANCES (UNLESS SPECIFIED)		DIMENSION STYLE MM ONLY		54809-***69	MODEL NO.
	10 UNDER	± 0.2	DRAWN BY	DATE	SCALE ---	DESIGN UNITS METRIC
	10 OVER 30 UNDER	± 0.25	YSAKIYAM	'04/06/15	THIRD ANGLE PROJECTION	
	30 OVER	± 0.3	CHECKED BY	DATE	TITLE	
	ANGULAR ± 3 °	DRAFT WHERE APPLICABLE MUST REMAIN WITHIN DIMENSIONS	MHAYASHI	'04/06/15	0.3 FPC CONN E/O HSG ASSY GOLD PLT H=1.3 -LEAD FREE-	
			APPROVED BY	DATE	molex	
			MSASAO	'04/06/15	DOCUMENT NO. SD-54809-038	
			MATERIAL NO.	SEE SHEET 1	SHEET NO. 3 OF 3	
			SIZE A3	THIS DRAWING CONTAINS INFORMATION THAT IS PROPRIETARY TO MOLEX INCORPORATED AND SHOULD NOT BE USED WITHOUT WRITTEN PERMISSION		

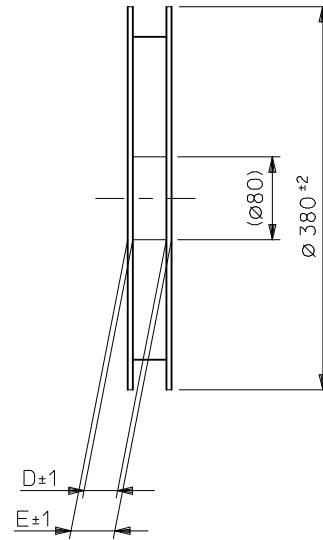
引き出し方向
PULL OUT



"F"



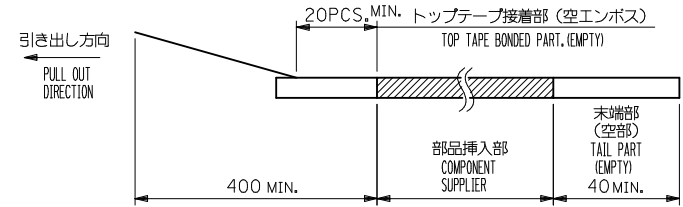
DETAIL "F"



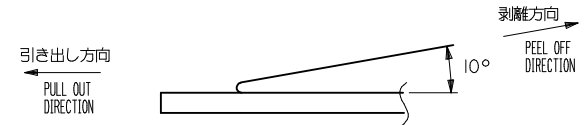
D±1
E±1

注記 NOTES

- 製品詳細寸法については、図面SD-54809-038を参照下さい。
RE DETAILED DIMENSION, SEE SD-54809-038.
- 梱包数量：2500個/リール
NUMBER OF CONNECTORS : 2500PCS/REEL
- リードテープ長さ LEAD TAPE LENGTH

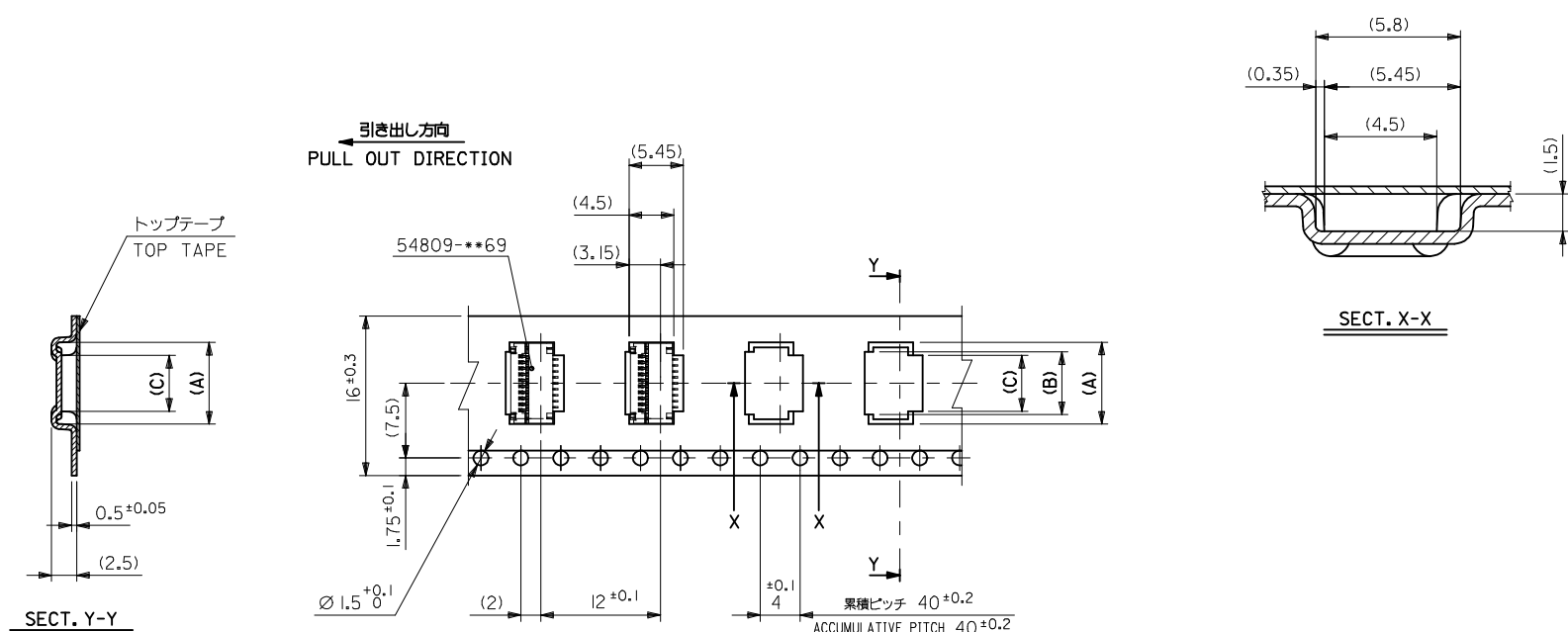


- トップテープの剥離強度：0.1N~1.3N (10gf~130gf)
(剥離方向は下図参照)
尚、本規格値は出荷時に適用。(但し、輸送時に剥離が発生しないこと。)
PEELING OFF FORCE OF TOP TAPE : 0.1N~1.3N(10gf~130gf)
(PEELING DIRECTION AS SHOWN IN FOLLOWING FIG.)
THIS REQUIREMENT SHOULD BE APPLIED AT SHIPMENT.
PEEL OFF SHOULD NOT BE ALLOWED, DURING TRANSPORTATION.



- 材料 (MATERIAL)
キャリアテープ (CARRIER TAPE) : ポリプロピレン (POLYPROPYLENE)
トップテープ (TOP TAPE) : PET, PE, PEF
リール (REEL) : ポリスチレン (PS) <リサイクル材を含む>
POLYSTYRENE(PS) <RECYCLE MATERIAL CONTAINED>
- 本製品は 54809-**95 の鉛フリー品である。
THIS PRODUCT IS LEAD FREE OF 54809-**95.

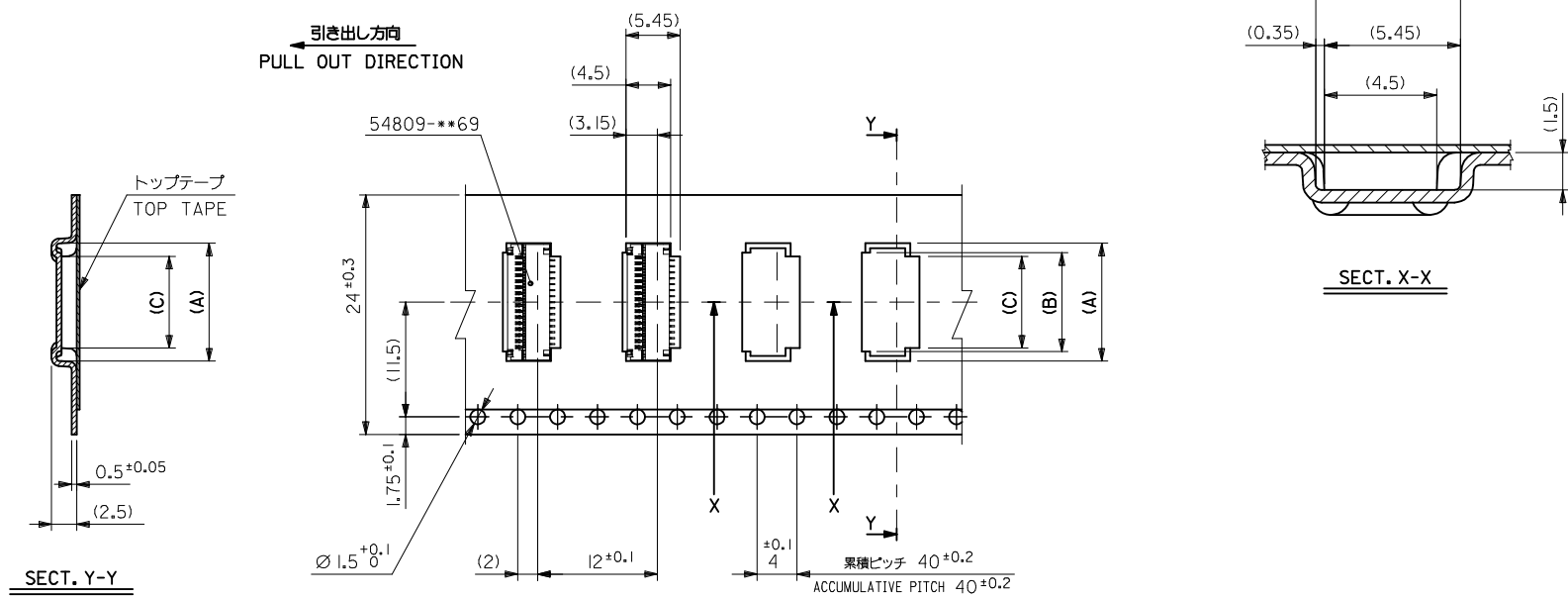
REVISED EC NO: J2014-1476 DRWN:AYOSHI 01 2014/03/31 CHKD:YKOBAYASHI 02 2014/03/31 APPR:YNOGAWA 2014/04/17	GENERAL TOLERANCES (UNLESS SPECIFIED)		DIMENSION STYLE MM ONLY		54809-**75 SCALE --- DESIGN UNITS METRIC		MODEL NO. THIRD ANGLE PROJECTION	
	10 UNDER	±0.2	DRAWN BY	DATE	TITLE EMBSTP PKG FOR 0.3 FPC CONN E/O GOLD PLT H=1.3 -LEAD FREE- molex DOCUMENT NO. SD-54809-039 SHEET NO. 1 OF 4			
	10 OVER 30 UNDER	±0.25	TUENO	'04/02/10				
	30 OVER	±0.3	CHECKED BY	DATE				
ANGULAR	±3 °	MSASAO	'04/02/10					
	DRAFT WHERE APPLICABLE MUST REMAIN WITHIN DIMENSIONS		MATERIAL NO. SEE CHART					
			SIZE A3		THIS DRAWING CONTAINS INFORMATION THAT IS PROPRIETARY TO MOLEX INCORPORATED AND SHOULD NOT BE USED WITHOUT WRITTEN PERMISSION			



16mm幅キャリアテープ
16mm WIDTH CARRIER TAPE

16	21.4	17.4	6.2	6.9	8.8	54809-2175	21
キャリアテープ幅 CARRIER TAPE WIDTH	E	D	C	B	A	MATERIAL NO.	種数 CKT.

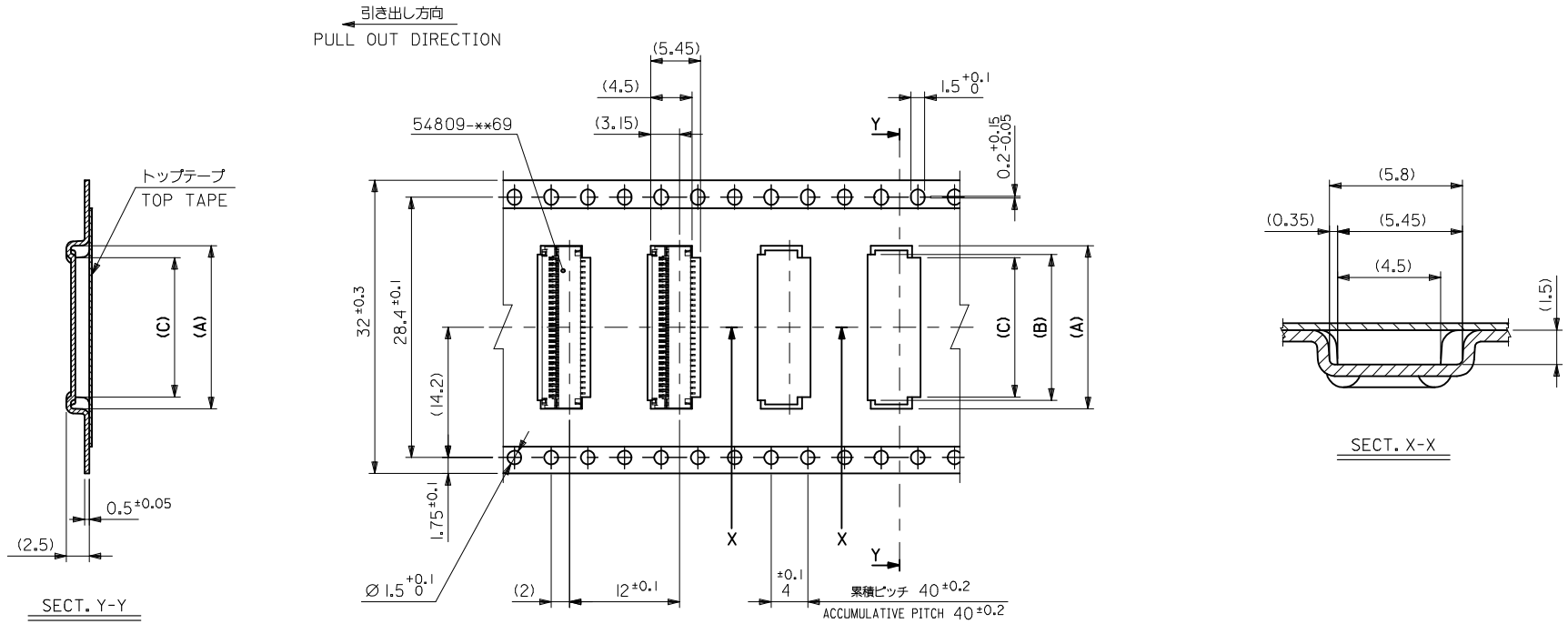
REVISED EC NO: J2014-1476 DRWN: AYOSHI 2014/03/31 CHKD: YKOBAYASHI 02 2014/03/31 APPR: YNOGAWA 2014/04/17	GENERAL TOLERANCES (UNLESS SPECIFIED)		DIMENSION STYLE MM ONLY		54809-***75		MODEL NO.	
	10 UNDER ±0.2		DRAWN BY TUENO DATE '04/02/10		SCALE ---		DESIGN UNITS METRIC	
	10 OVER 30 UNDER ±0.25		CHECKED BY MSASAO DATE '04/02/10		TITLE		THIRD ANGLE PROJECTION	
	30 OVER ±0.3		APPROVED BY MSASAO DATE '04/02/10		EMBSTP PKG FOR 0.3 FPC CONN E/O GOLD PLT H=1.3 -LEAD FREE- molex			
ANGULAR ±3 °		MATERIAL NO. SEE CHRT		DOCUMENT NO. SD-54809-039		SHEET NO. 2 OF 4		
DRAFT WHERE APPLICABLE MUST REMAIN WITHIN DIMENSIONS		THIS DRAWING CONTAINS INFORMATION THAT IS PROPRIETARY TO MOLEX INCORPORATED AND SHOULD NOT BE USED WITHOUT WRITTEN PERMISSION						



24mm幅キャリアテープ
24mm WIDTH CARRIER TAPE

24	29.4	25.4	11.6	12.3	14.2	54809-3975	39
キャリアテープ幅 CARRIER TAPE WIDTH	E	D	C	B	A	54809-3775	37
						MATERIAL NO.	極数 CKT.

REVISED EC NO: J2014-1476 DRWN: YOSHII 2014/03/31 CHKD: YKOBAYASHI 02 2014/03/31 APPR: YNOGAWA 2014/04/17	DESCRIPTION	GENERAL TOLERANCES (UNLESS SPECIFIED)		DIMENSION STYLE MM ONLY		54809-**-75		MODEL NO.		
		10 UNDER	±0.2	DRAWN BY	DATE	SCALE	DESIGN UNITS	THIRD ANGLE PROJECTION		
		10 OVER 30 UNDER	±0.25	TUENO	'04/02/10	---	METRIC	TITLE		
		30 OVER	±0.3	CHECKED BY	DATE	EMBSTP PKG FOR 0.3 FPC CONN E/O GOLD PLT H=1.3 -LEAD FREE-				
		ANGULAR	±3 °	APPROVED BY	DATE	molex				
		DRAFT WHERE APPLICABLE MUST REMAIN WITHIN DIMENSIONS		MSASAO	'04/02/10				MATERIAL NO.	DOCUMENT NO.
				SIZE	THIS DRAWING CONTAINS INFORMATION THAT IS PROPRIETARY TO MOLEX INCORPORATED AND SHOULD NOT BE USED WITHOUT WRITTEN PERMISSION					



32mm幅キャリアテープ
32mm WIDTH CARRIER TAPE

32	37.4	33.4	15.2	15.9	17.8	54809-5175	51
キャリアテープ幅 CARRIER TAPE WIDTH	E	D	C	B	A	MATERIAL NO.	極致 CIRCUITS

REVISED EC NO: J2014-1476 DRWN: YOSHI I 2014/03/31 CHKD: YOSHIMOTO 2014/03/31 APPR: YOGAWA 2014/04/17	GENERAL TOLERANCES (UNLESS SPECIFIED)		DIMENSION STYLE MM ONLY		SCALE ---	DESIGN UNITS METRIC	MODEL NO. 54809-***75	THIRD ANGLE PROJECTION
	10 UNDER	±0.2	DRAWN BY TUENO	DATE '04/02/10	TITLE EMBSTP PKG FOR 0.3 FPC CONN E/O GOLD PLT H=1.3 -LEAD FREE-			
	10 OVER 30 UNDER	±0.25	CHECKED BY MSASAO	DATE '04/02/10	molex DOCUMENT NO. SD-54809-039 SHEET NO. 4 OF 4			
	30 OVER	±0.3	APPROVED BY MSASAO	DATE '04/02/10				
	ANGULAR ±3 °	MATERIAL NO. SEE CHART						
	DRAFT WHERE APPLICABLE MUST REMAIN WITHIN DIMENSIONS	THIS DRAWING CONTAINS INFORMATION THAT IS PROPRIETARY TO MOLEX INCORPORATED AND SHOULD NOT BE USED WITHOUT WRITTEN PERMISSION						