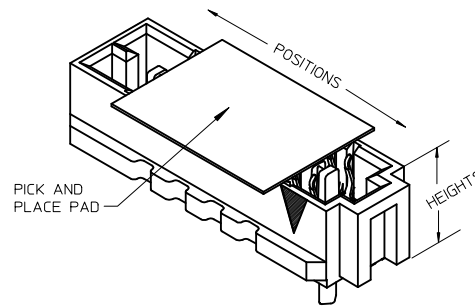


10 POSITION VERSION SHOWN IN THESE VIEWS



NOTES:

- MATERIALS: HOUSING- LCP, GLASS FILLED, UL94V-0, BLACK CONTACTS- COPPER ALLOY SOLDER CHARGE: 63% TIN, 37% LEAD
- FINISHES: 30 MICROINCH MINIMUM GOLD IN THE CONTACT AREA, 50 MICROINCH MINIMUM TIN IN THE TAIL AREA, OVERALL NICKEL UNDERPLATE.
- PRODUCT SPECIFICATION: PS-45970-001
- PACKAGING SPECIFICATION: PK-45971-002
- MATES WITH SEARAY SLIM PLUG ASSY 46556
- APPLICATION SPECIFICATION: AS-45970-001
- COSMETIC SPECIFICATION: PS-45499-002 CLASS B
- PART STATUS: CONTACT MOLEX

| POSITIONS | DIM M | | TOTAL NUMBER OF EDGE NOTCHES |
|-----------|-------------|-----------|------------------------------|
| 10 | 19.86/1.782 | 0.15/.006 | 8 |
| 15 | 26.21/1.032 | 0.15/.006 | 14 |
| 20 | 32.56/1.282 | 0.15/.006 | 18 |
| 25 | 38.91/1.532 | 0.15/.006 | 24 |
| 30 | 45.26/1.782 | 0.15/.006 | 28 |
| 35 | 51.62/2.032 | 0.15/.006 | 34 |
| 40 | 57.96/2.282 | 0.15/.006 | 36 |
| 45 | 64.31/2.532 | 0.23/.009 | 44 |
| 50 | 70.66/2.782 | 0.23/.009 | 48 |

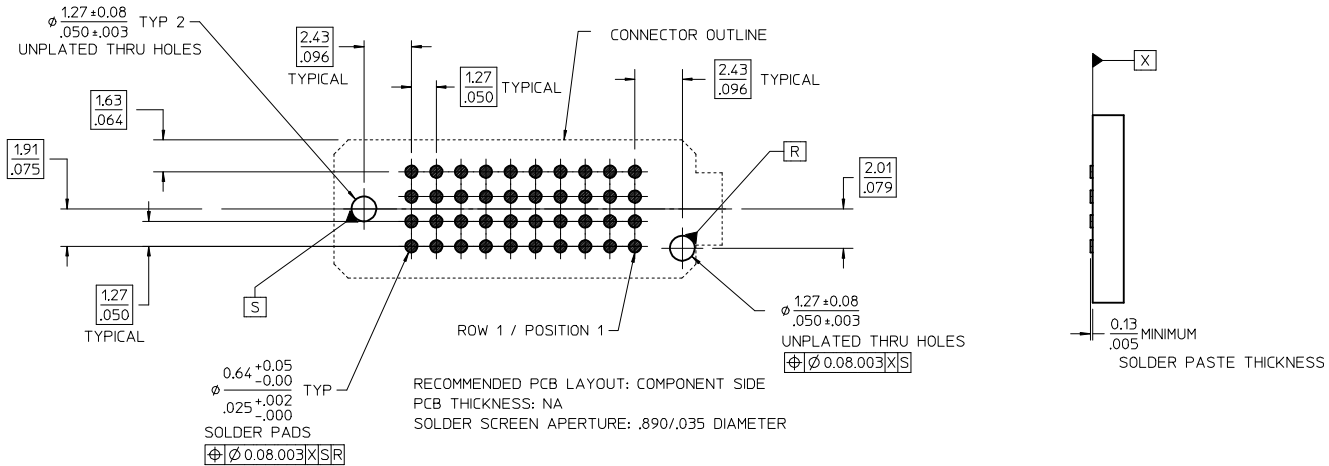
EDGE NOTCHES- SEE TABLE (THE NUMBER OF NOTCHES INCREASES AS THE NUMBER OF POSITIONS INCREASES)

| | | | | | | | |
|--|------------------|--|---|---|--------------|--|------------------------|
| INITIAL RELEASE EC NO: UCP2015-1206 DRWR:RWHIPPLE 2014/10/22 CHKD:DMORGAN 2014/10/22 APPR:SMILLER 2015/01/05 | DESCRIPTION A | QUALITY SYMBOLS | GENERAL TOLERANCES (UNLESS SPECIFIED) | DIMENSION STYLE | SCALE | DESIGN UNITS | THIRD ANGLE PROJECTION |
| | | $\nabla F=0$ $\nabla E=0$ $\nabla D=0$ | mm INCH 4 PLACES ± --- ± --- 3 PLACES ± --- ± .010 2 PLACES ± 0.25 ± .015 1 PLACE ± 0.38 ± --- 0 PLACE ± ± | MM/IN | 4:1 | INCH | |
| | | | ANGULAR ± --- ° DRAFT WHERE APPLICABLE MUST REMAIN WITHIN DIMENSIONS | DRAWN BY DATE RWHIPPLE 2014/10/22 CHECKED BY DATE DMORGAN 2014/10/22 APPROVED BY DATE SMILLER 2015/01/05 | TITLE | SEARAY SLIM (4 ROW) RECEPTACLE ASSEMBLY 1.27/.050 PITCH TIN/LEAD | |
| | | | | MATERIAL NO. SEE TABLE SHT 3 SIZE B | DOCUMENT NO. | RSD-46557-001 | |

molex

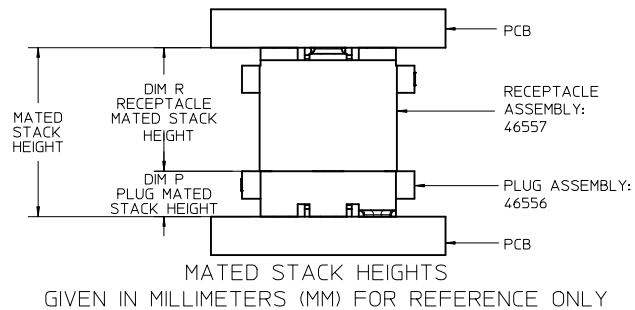
THIS DRAWING CONTAINS INFORMATION THAT IS PROPRIETARY TO MOLEX INCORPORATED AND SHOULD NOT BE USED WITHOUT WRITTEN PERMISSION

10 9 8 7 6 5 4 3 2 1



| | | DIM R RECEPTACLE STACK HEIGHT | | | | | |
|----------------------------|-----|----------------------------------|------|------|------|------|------|
| | | MM | 5.0 | 6.0 | 6.5 | 7.5 | 8.0 |
| DIM P PLUG STACK HEIGHT | 2.0 | 7.0 | 8.0 | 8.5 | 9.5 | 10.0 | 11.0 |
| | 3.0 | 8.0 | 9.0 | 9.5 | 10.5 | 11.0 | 11.0 |
| | 3.5 | 8.5 | 9.5 | 10.0 | 11.0 | 11.5 | 11.5 |
| | 2.5 | 7.5 | 8.5 | 9.0 | 10.0 | 10.5 | 10.5 |
| | 4.5 | 9.5 | 10.5 | 11.0 | 12.0 | 12.5 | 12.5 |
| | 5.0 | 10.0 | 11.0 | 11.5 | 12.5 | 13.0 | 13.0 |
| | 7.0 | 12.0 | 13.0 | 13.5 | 14.5 | 15.0 | 15.0 |

MATED STACK HEIGHTS
GIVEN IN MILLIMETERS (MM) FOR REFERENCE ONLY



| | | | | | | | | | |
|---|--|---------------------------------------|-----------------------|---|------|--------------|--------------|------------------------|---|
| SEE SHEET 1 EC NO: UCP2015-1206 DRAWN BY: RWHIPPLE 2014/10/22 CHKD: DMORGAN 2014/10/22 APPR: SMILLER 2015/01/05 | QUALITY SYMBOLS | GENERAL TOLERANCES (UNLESS SPECIFIED) | | DIMENSION STYLE | | SCALE | DESIGN UNITS | THIRD ANGLE PROJECTION | |
| | $\nabla = 0$ $\nabla = 0$ $\nabla = 0$ | mm | INCH | MM/IN | | 4:1 | INCH | | SEARAY SLIM (4 ROW) RECEPTACLE ASSEMBLY 1.27/.050 PITCH TIN/LEAD molex RSD-46557-001 SHEET NO. 2 OF 3 |
| | | 4 PLACES ± --- ± --- | 3 PLACES ± --- ± .010 | DRAWN BY | DATE | TITLE | | | |
| | | 2 PLACES ± 0.25 ± .015 | 1 PLACE ± 0.38 ± --- | CHECKED BY | DATE | DATE | | | |
| 0 PLACE ± ± | ANGULAR ± --- ° | APPROVED BY | DATE | DATE | | | | | |
| A | DRAFT WHERE APPLICABLE MUST REMAIN WITHIN DIMENSIONS | MATERIAL NO. | | SEE TABLE SHT 3 | | DOCUMENT NO. | | | |
| REV | | SIZE B | | THIS DRAWING CONTAINS INFORMATION THAT IS PROPRIETARY TO MOLEX INCORPORATED AND SHOULD NOT BE USED WITHOUT WRITTEN PERMISSION | | | | | |

9 8 7 6 5 4 3 2 1

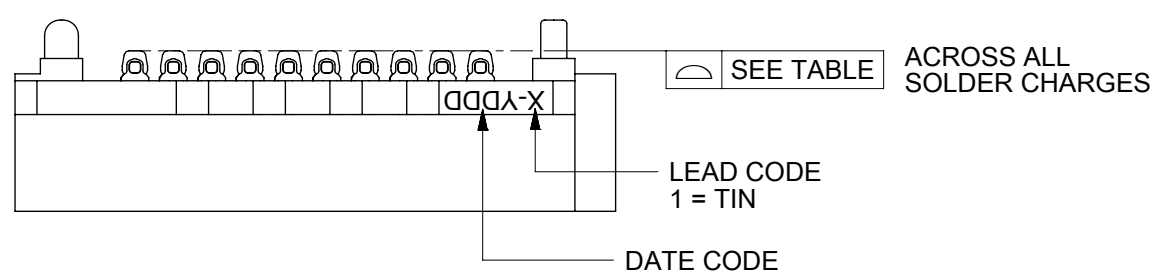
10 9 8 7 6 5 4 3 2 1

| DIM R: (REF) | 5.0 MM | 6.0 MM | 6.5 MM | 7.5 MM | 8.0 MM |
|--------------|-------------|-------------|-------------|-------------|-------------|
| DIM H: | 5.04/.199 | 6.04/.238 | 6.55/.258 | 7.54/.297 | 8.05/.317 |
| POSITIONS | MATERIAL NO | MATERIAL NO | MATERIAL NO | MATERIAL NO | MATERIAL NO |
| 10 | 46557-1147 | 46557-1247 | 46557-1347 | 46557-1447 | 46557-1547 |
| 20 | 46557-2147 | 46557-2247 | 46557-2347 | 46557-2447 | 46557-2547 |
| 30 | 46557-3147 | 46557-3247 | 46557-3347 | 46557-3447 | 46557-3547 |
| 40 | 46557-4147 | 46557-4247 | 46557-4347 | 46557-4447 | 46557-4547 |
| 50 | 46557-5147 | 46557-5247 | 46557-5347 | 46557-5447 | 46557-5547 |
| 15 | 46557-6147 | 46557-6247 | 46557-6347 | 46557-6447 | 46557-6547 |
| 25 | 46557-7147 | 46557-7247 | 46557-7347 | 46557-7447 | 46557-7547 |
| 35 | 46557-8147 | 46557-8247 | 46557-8347 | 46557-8447 | 46557-8547 |
| 45 | 46557-9147 | 46557-9247 | 46557-9347 | 46557-9447 | 46557-9547 |

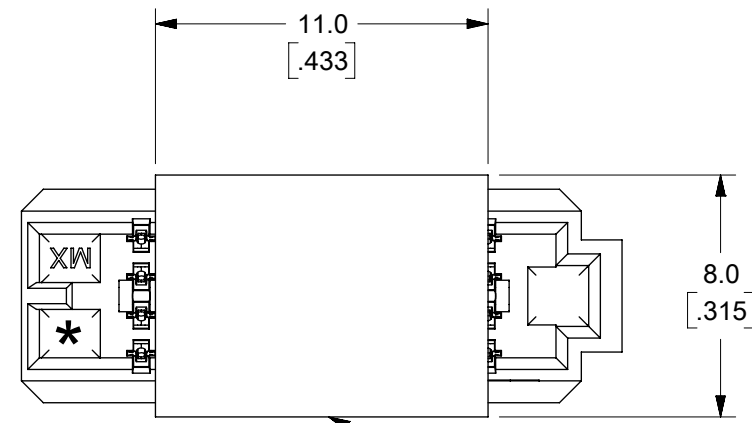
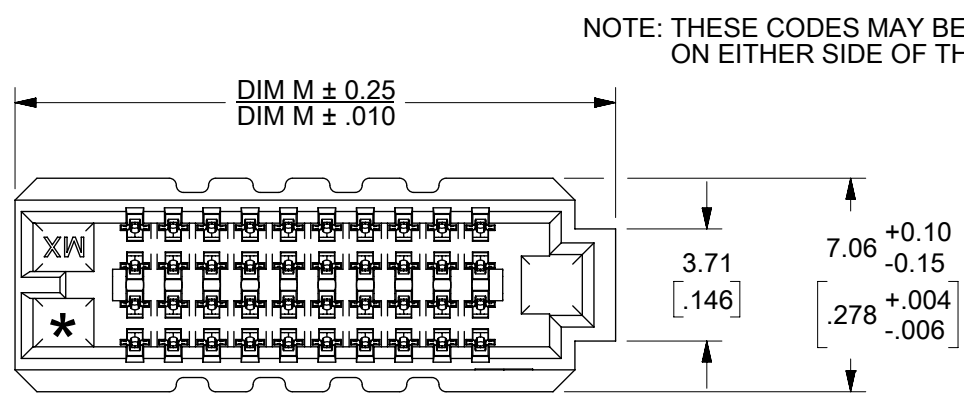
MATED STACK HEIGHTS
GIVEN IN MILLIMETERS (MM) FOR REFERENCE ONLY

| | | | | | | | |
|--|--------------------|---|---|-------------------------------|---------------------|--------------|--|
| SEE SHEET 1 EC NO: UCP2015-1206 DRAWN: RWHIPPLE 2014/10/22 CHKD: DMORGAN 2014/10/22 APPR: SMILLER 2015/01/05 | DESCRIPTION REV | QUALITY SYMBOLS | GENERAL TOLERANCES (UNLESS SPECIFIED) | DIMENSION STYLE | SCALE | DESIGN UNITS | THIRD ANGLE PROJECTION |
| | | $\nabla = 0$ $\nabla = 0$ $\nabla = 0$ | mm INCH 4 PLACES ± --- ± --- 3 PLACES ± --- ± .010 2 PLACES ± 0.25 ± .015 1 PLACE ± 0.38 ± --- 0 PLACE ± ± | MM/IN | 1:1 | INCH | SEARAY SLIM (4 ROW) RECEPTACLE ASSEMBLY 1.27/.050 PITCH TIN/LEAD |
| | | ANGULAR ± ---° DRAFT WHERE APPLICABLE MUST REMAIN WITHIN DIMENSIONS | DRAWN BY DATE RWHIPPLE 2014/10/22 CHECKED BY DATE DMORGAN 2014/10/22 APPROVED BY DATE SMILLER 2015/01/05 | TITLE | | | |
| | | A | MATERIAL NO. SEE TABLE | DOCUMENT NO. RSD-46557-001 | SHEET NO. 3 OF 3 | | |

9 8 7 6 5 4 3 2 1

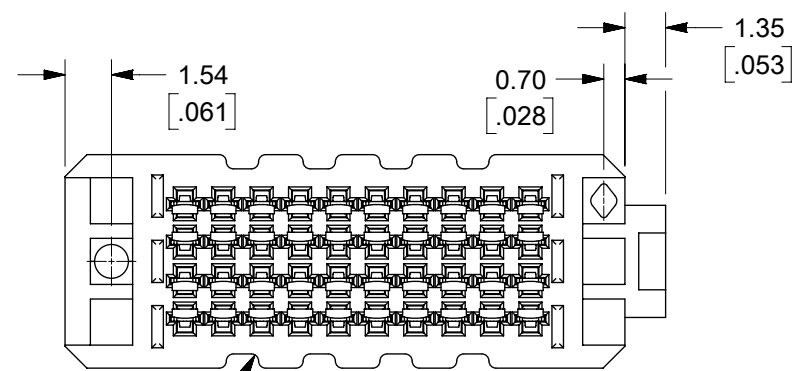
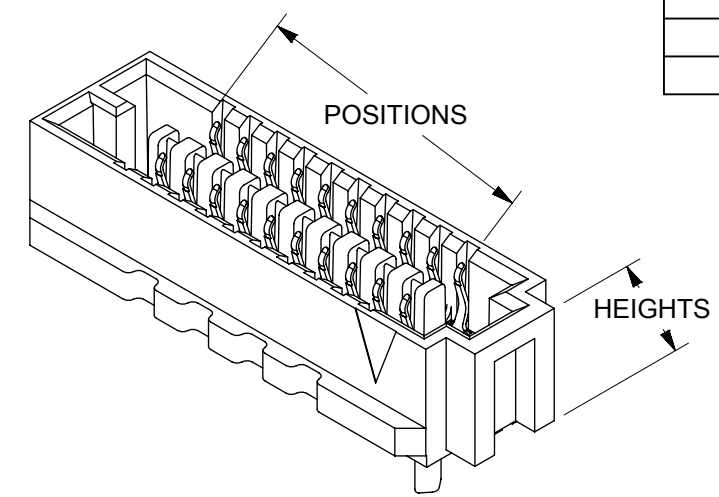
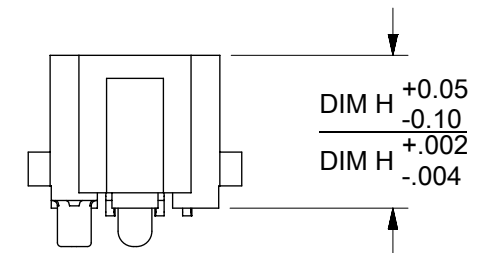
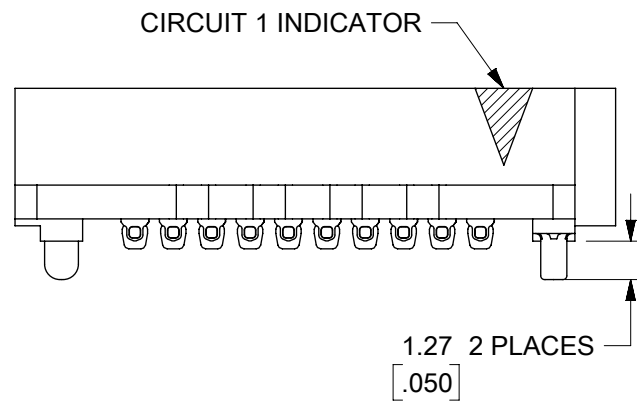


- NOTES:
- MATERIALS: HOUSING: GLASS FILLED LCP (LIQUID CRYSTAL POLYMER), UL94V-0, BLACK
CONTACTS: COPPER ALLOY
SOLDER CHARGE: 95.5% TIN, 3.8% SILVER, 0.7% COPPER
 - FINISHES: 30 MICROINCH MINIMUM GOLD IN THE CONTACT AREA, 50 MICROINCH MINIMUM TIN IN THE TAIL AREA, OVERALL NICKEL UNDERPLATE.
 - PRODUCT SPECIFICATION: PS-45970-001
 - PACKAGING SPECIFICATION: PK-45971-002 (TAPE AND REEL)
 - MATES WITH SEARAY SLIM PLUG ASSY SERIES 46556
 - APPLICATION SPECIFICATION: AS-45970-001
 - COSMETIC SPECIFICATION: PS-45499-002 CLASS B
 - PART STATUS: CONTACT MOLEX



PICK AND PLACE PAD (SHOWN IN THIS VIEW ONLY)

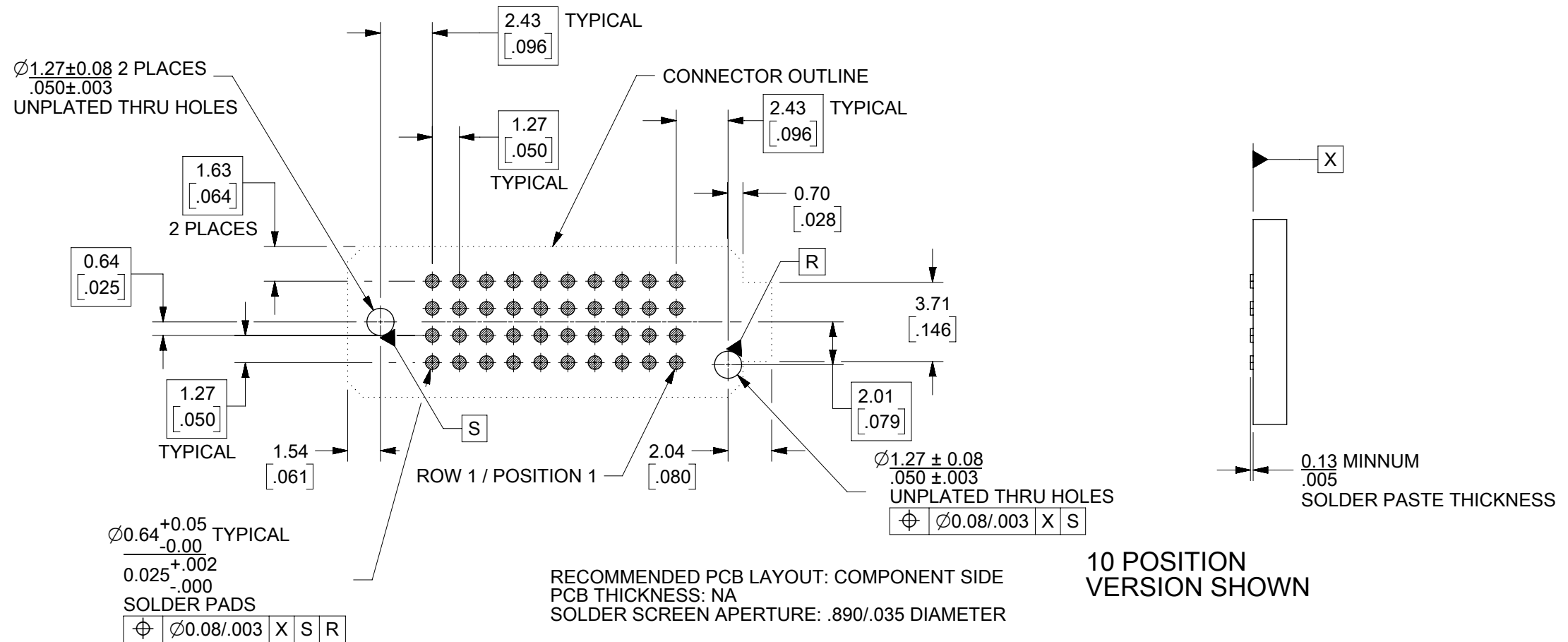
| POSITIONS | DIM M | Symbol | TOTAL NUMBER OF EDGE NOTCHES |
|-----------|-------------|-----------|------------------------------|
| 10 | 19.88/784 | 0.15/.006 | 8 |
| 15 | 26.23/1.034 | 0.15/.006 | 14 |
| 20 | 32.58/1.284 | 0.15/.006 | 18 |
| 25 | 38.93/1.534 | 0.15/.006 | 24 |
| 30 | 45.28/1.784 | 0.15/.006 | 28 |
| 35 | 51.63/2.034 | 0.15/.006 | 34 |
| 40 | 57.98/2.284 | 0.15/.006 | 38 |
| 45 | 64.33/2.534 | 0.23/.009 | 44 |
| 50 | 70.68/2.784 | 0.23/.009 | 48 |



10 POSITION VERSION SHOWN IN THESE VIEWS

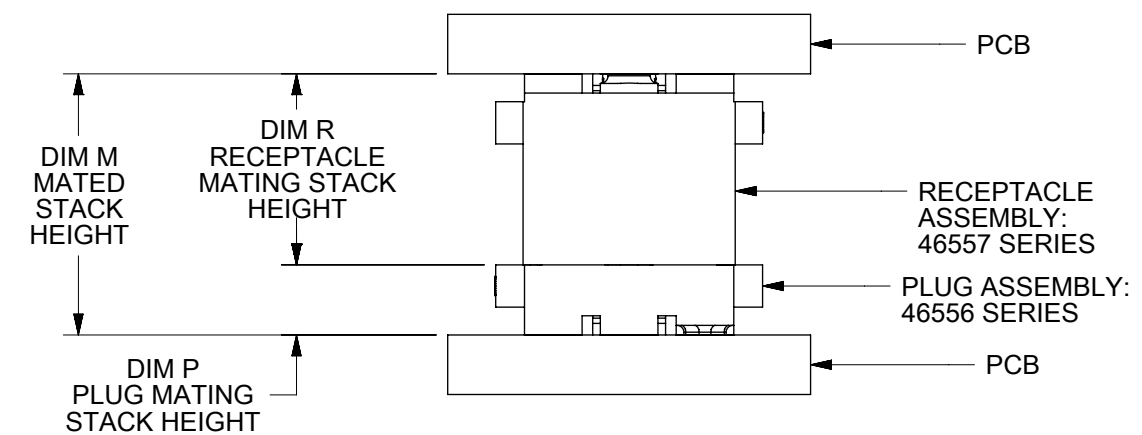
EDGE NOTCHES- SEE TABLE (THE NUMBER OF NOTCHES INCREASES AS THE NUMBER OF POSITIONS INCREASES)

| | | | | | | | |
|---------|---------------------------------------|---|-------------------|---------------------------|-----------------|---|----------------|
| SYMBOLS | | THIS DRAWING CONTAINS INFORMATION THAT IS PROPRIETARY TO MOLEX ELECTRONIC TECHNOLOGIES, LLC AND SHOULD NOT BE USED WITHOUT WRITTEN PERMISSION | | CURRENT REV DESC: REVISED | | molex | |
| ▽ = 0 | MM/IN | SCALE | 4:1 | EC NO: 644510 | | | |
| ▽ = 0 | GENERAL TOLERANCES (UNLESS SPECIFIED) | | DRWN: HCGOH | | 2020/05/23 | SEARAY SLIM (4 ROW) RECEPTACLE ASSEMBLY 1.27/.050 PITCH | |
| ▽ = 0 | ANGULAR TOL ± ° | | CHK'D: JESSIECHUA | | 2020/09/17 | PRODUCT CUSTOMER DRAWING | |
| ▽ = 0 | 4 PLACES ± | APPR: SHONG | | 2020/09/21 | DOCUMENT NUMBER | | |
| ▽ = 0 | 3 PLACES ± | INITIAL REVISION: | | SD-46557-001 | | | |
| ▽ = 0 | 2 PLACES ± 0.25 | DRWN: TGREGORI | | 2007/05/21 | DOC TYPE | DOC PART | REVISION |
| ▽ = 0 | 1 PLACE ± 0.38 | APPR: JCOMERCI | | 2010/03/05 | PSD | 001 | P2 |
| ▽ = 0 | 0 PLACES ± | DRAFT WHERE APPLICABLE MUST REMAIN WITHIN DIMENSIONS | | MATERIAL NUMBER | | SHEET NUMBER | |
| ▽ = 0 | THIRD ANGLE PROJECTION | | DRAWING | SERIES | SEE TABLE SHT 3 | CUSTOMER | GENERAL MARKET |
| | | B-SIZE | | 46557 | | | 1 OF 3 |



| | | DIM R RECEPTACLE STACK HEIGHT | | | | | | | | | |
|----------------------------|-------|----------------------------------|--------------|-------------------------|--------------|-------------------------|--------------|-------------------------|--------------|-------------------------|--------------|
| | | 5.0 | | 6.0 | | 6.5 | | 7.5 | | 8.0 | |
| DIM P PLUG STACK HEIGHT | mm | DIM M FULLY MATED | DIM M MAX | DIM M FULLY MATED | DIM M MAX | DIM M FULLY MATED | DIM M MAX | DIM M FULLY MATED | DIM M MAX | DIM M FULLY MATED | DIM M MAX |
| | 2.0 | 7.00 | 7.74 | 8.00 | 8.74 | 8.50 | 9.24 | 9.50 | 10.24 | 10.00 | 10.74 |
| | 3.0 | 8.00 | 8.74 | 9.00 | 9.74 | 9.50 | 10.24 | 10.50 | 11.24 | 11.00 | 11.74 |
| | 3.5 | 8.50 | 9.24 | 9.50 | 10.24 | 10.00 | 10.74 | 11.00 | 11.74 | 11.50 | 12.24 |
| | 2.5 | 7.50 | 8.24 | 8.50 | 9.24 | 9.00 | 9.74 | 10.00 | 10.74 | 10.50 | 11.24 |
| | 4.5 | 9.50 | 10.24 | 10.50 | 11.24 | 11.00 | 11.74 | 12.00 | 12.74 | 12.50 | 13.24 |
| | 5.0 | 10.00 | 10.74 | 11.00 | 11.74 | 11.50 | 12.24 | 12.50 | 13.24 | 13.00 | 13.74 |
| 7.0 | 12.00 | 12.74 | 13.00 | 13.74 | 13.50 | 14.24 | 14.50 | 15.24 | 15.00 | 15.74 | |

MATED STACK HEIGHTS
GIVEN IN MILLIMETERS (mm) FOR REFERENCE ONLY



STACK HEIGHTS
GIVEN IN MILLIMETERS (mm) FOR REFERENCE ONLY

| | | | | | | | | | | | |
|---|--|--|--|------------------------|--|---------------------------------------|--|-------------------|--|-----------------|--|
| THIS DRAWING CONTAINS INFORMATION THAT IS PROPRIETARY TO MOLEX ELECTRONIC TECHNOLOGIES, LLC AND SHOULD NOT BE USED WITHOUT WRITTEN PERMISSION | | | | | | | | | | | |
| SYMBOLS | | DIMENSION UNITS | | SCALE | | CURRENT REV DESC: REVISED | | | | | |
| ▽ = 0 | | MM/IN | | 4:1 | | GENERAL TOLERANCES (UNLESS SPECIFIED) | | | | | |
| ▽ = 0 | | ANGULAR TOL ± ° | | | | | | | | | |
| ▽ = 0 | | 4 PLACES | | ± | | EC NO: 644510 | | 2020/05/23 | | | |
| ▽ = 0 | | 3 PLACES | | ± | | DRWN: HCGOH | | 2020/09/17 | | | |
| ▽ = 0 | | 2 PLACES | | ± 0.25 | | CHK'D: JESSIECHUA | | 2020/09/21 | | | |
| ▽ = 0 | | 1 PLACE | | ± 0.38 | | APPR: SHONG | | INITIAL REVISION: | | | |
| ▽ = 0 | | 0 PLACES | | ± | | DRWN: TGGREGORI | | 2007/05/21 | | 2010/03/05 | |
| ▽ = 0 | | DRAFT WHERE APPLICABLE MUST REMAIN WITHIN DIMENSIONS | | THIRD ANGLE PROJECTION | | DRAWING | | SERIES | | DOCUMENT NUMBER | |
| ▽ = 0 | | | | | | B-SIZE | | 46557 | | SD-46557-001 | |
| | | | | | | MATERIAL NUMBER | | CUSTOMER | | SHEET NUMBER | |
| | | | | | | SEE TABLE SHT 3 | | GENERAL MARKET | | 2 OF 3 | |

E

D


C

B

A

| | | | | | |
|--------------|-------------|-------------|-------------|-------------|-------------|
| DIM R: (REF) | 5.0 mm | 6.0 mm | 6.5 mm | 7.5 mm | 8.0 mm |
| DIM H: | 5.04/.199 | 6.04/.238 | 6.55/.258 | 7.54/.297 | 8.05/.317 |
| POSITIONS | MATERIAL NO | MATERIAL NO | MATERIAL NO | MATERIAL NO | MATERIAL NO |
| 10 | 46557-1145 | 46557-1245 | 46557-1345 | 46557-1445 | 46557-1545 |
| 20 | 46557-2145 | 46557-2245 | 46557-2345 | 46557-2445 | 46557-2545 |
| 30 | 46557-3145 | 46557-3245 | 46557-3345 | 46557-3445 | 46557-3545 |
| 40 | 46557-4145 | 46557-4245 | 46557-4345 | 46557-4445 | 46557-4545 |
| 50 | 46557-5145 | 46557-5245 | 46557-5345 | 46557-5445 | 46557-5545 |
| 15 | 46557-6145 | 46557-6245 | 46557-6345 | 46557-6445 | 46557-6545 |
| 25 | 46557-7145 | 46557-7245 | 46557-7345 | 46557-7445 | 46557-7545 |
| 35 | 46557-8145 | 46557-8245 | 46557-8345 | 46557-8445 | 46557-8545 |
| 45 | 46557-9145 | 46557-9245 | 46557-9345 | 46557-9445 | 46557-9545 |

MATING STACK HEIGHTS (DIMENSION R)
GIVEN IN MILLIMETERS (mm) FOR REFERENCE ONLY

| | | | | | | | | | | | | |
|---------|---|------------------------|---------------------------------------|---------|--|-----------------|--|-----------------|--|--------------|---|--|
| SYMBOLS | THIS DRAWING CONTAINS INFORMATION THAT IS PROPRIETARY TO MOLEX ELECTRONIC TECHNOLOGIES, LLC AND SHOULD NOT BE USED WITHOUT WRITTEN PERMISSION | | | | | | | | | | | |
| | DIMENSION UNITS | | SCALE | | CURRENT REV DESC: REVISED | | | | | |  | |
| | MM/IN | | 1:1 | | EC NO: 644510 | | | | | | | |
| | = 0 | | GENERAL TOLERANCES (UNLESS SPECIFIED) | | DRWN: HCGOH 2020/05/23 | | | | | | SEARAY SLIM (4 ROW) RECEPTACLE ASSEMBLY 1.27/.050 PITCH | |
| | = 0 | | ANGULAR TOL ± ° | | CHK'D: JESSIECHUA 2020/09/17 | | | | | | | |
| | = 0 | | 4 PLACES ± | | APPR: SHONG 2020/09/21 | | | | | | PRODUCT CUSTOMER DRAWING | |
| | = 0 | | 3 PLACES ± | | INITIAL REVISION: | | | | | | DOCUMENT NUMBER | |
| | = 0 | | 2 PLACES ± 0.25 | | DRWN: TGREGORI 2007/05/21 | | | | | | SD-46557-001 | |
| | = 0 | | 1 PLACE ± 0.38 | | APPR: JCOMERCI 2010/03/05 | | | | | | DOC TYPE DOC PART REVISION | |
| | = 0 | | 0 PLACES ± | | DRAFT WHERE APPLICABLE MUST REMAIN WITHIN DIMENSIONS | | | | | | PSD 001 P2 | |
| = 0 | | THIRD ANGLE PROJECTION | | DRAWING | | SERIES | | MATERIAL NUMBER | | CUSTOMER | | |
| | | B-SIZE | | 46557 | | SEE TABLE SHT 3 | | GENERAL MARKET | | SHEET NUMBER | | |
| | | | | | | | | 3 OF 3 | | | | |