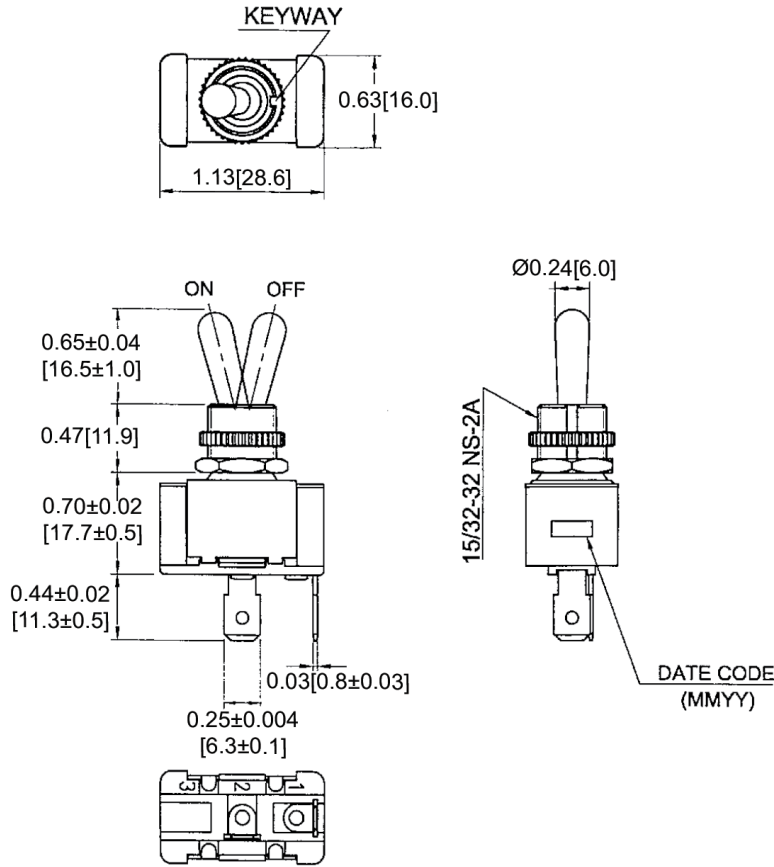
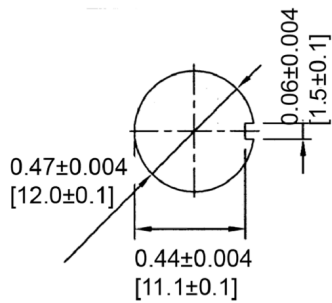


Mechanical Dimensions: Inches [mm]

Tolerances ± 0.012 [0.3] Unless Otherwise Specified



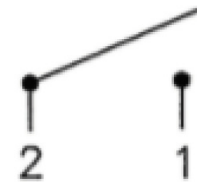
Mounting Hole



Thickness: 0.2[6.0]

Circuit Diagram

2P SPST OFF-ON



Electrical Specifications

Rating	21A 14VDC
Contact Resistance	50m ohm Max
Insulation Resistance	DC 500V 100M ohm Min
Dielectric Strength	AC 1500V 1 minute
Operation Temperature	-20°C~65°C

Material Specifications

Operation Force	700gf ± 250 gf
	1 Hex Nut Assy
	1 Knurl Nut Assy
	1 ON/OFF Face Plate
	1 Internal O-Ring
	IP 55

Rev Date of issue Revision Notes

Designed Approved

B	05-17-2021	Initial Drawing	RC	OF
---	------------	-----------------	----	----