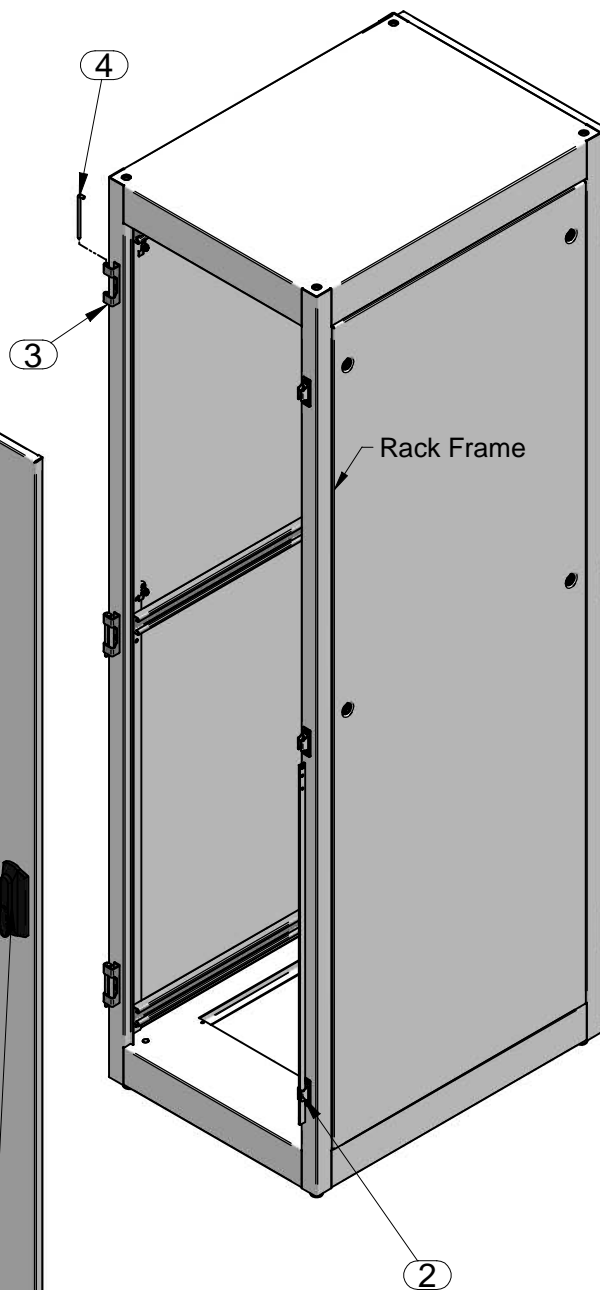
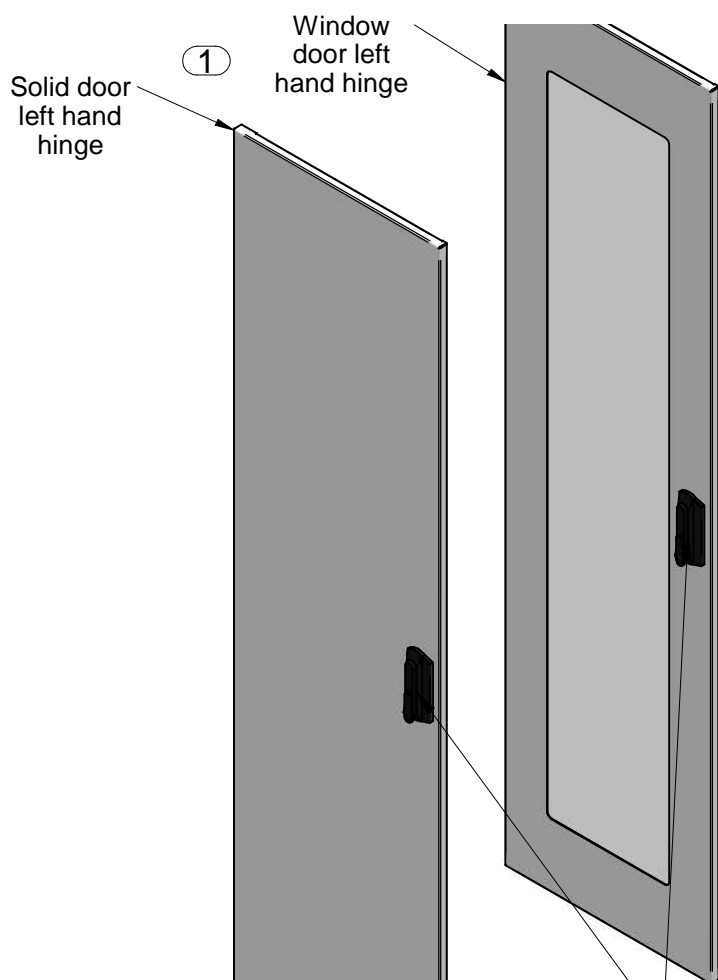


ASSEMBLY INSTRUCTIONS:

- A) Note: Doors (item 1) can be mounted on front and rear of rack
- B) Mount door hook (item 2) and hinge body (item 3) as per instructions on page 2.
- C) Position door so that the matting part of hinge barrel on door aligns with the hinge barrels on the body. Slip hinge pins (item 4) thru barrels and secure with a light tap from hammer.
- D) Pull and rotate L handle on door to open position then close and check latching mechanism alignment with door hooks. Adjust door hooks if necessary.



PARTS LIST

ITEM No.	DESCRIPTION	QTY
1	SOLID OR WINDOW DOOR	1
2	DOOR HOOK	3
3	HINGE BODY	3
4	HINGE PIN	3

TOOL BOX



1/4 Slotted Head
Screw Driver



Hammer

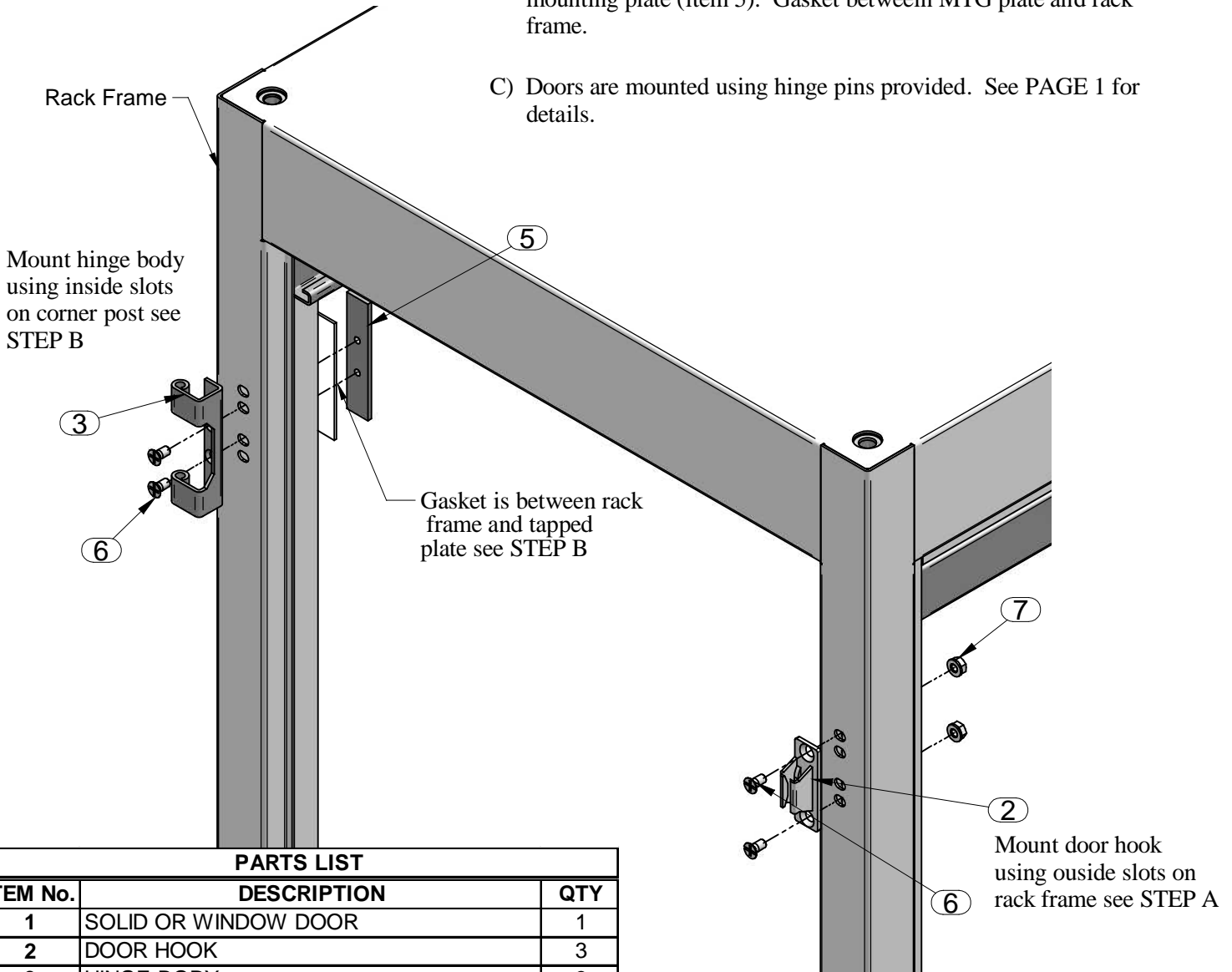


L handle
C/W 3 point
latching mechanism
installed



ASSEMBLY INSTRUCTIONS:

- A) Mount door hook (item 2) to right of rack frame as shown. Mount thru outside slots in frame using M6 screws, and hex nuts (item 6 & 7).
- B) Mount hinge body (item 3) to left of rack frame as shown. Mount thru inside slots in frame using M6 screws (item 6), and tapped mounting plate (item 5). Gasket between MTG plate and rack frame.
- C) Doors are mounted using hinge pins provided. See PAGE 1 for details.



PARTS LIST

ITEM No.	DESCRIPTION	QTY
1	SOLID OR WINDOW DOOR	1
2	DOOR HOOK	3
3	HINGE BODY	3
4	HINGE PIN (SHOWN ON PAGE 1)	3
5	TAPPED MOUNTING PLATE WITH GASKET	3
6	M6-1 X 12 mm FLAT HD SCREW	12
7	M6-1 HEX NUT	6

TOOL BOX



1/4 Slotted Head
Screw Driver



Hammer



10 mm Socket
Wrench

