

# CGA8L4C0G2J822J160KA

TDK Item Description : CGA8L4C0G2J822JT\*\*\*\*



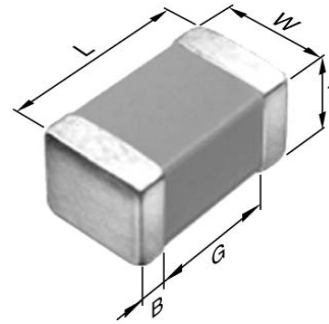
Equivalent C4532C0G2J822J for Automotive

## Application & Main Feature

Automotive Grade ( Mid Voltage (100 to 630V) )

## Series

CGA8(4532) [EIA CC1812]



## Dimensions

L 4.50mm +/-0.4mm  
 W 3.20mm +/-0.4mm  
 T 1.60mm +/-0.2mm  
 B 0.20mm Min.  
 G

## Temperature Characteristic

C0G (-55 to 125 degC 0+/-30ppm/degC)

## Rated Voltage

2J (630Vdc)

## Capacitance

8.2nF

## Capacitance Tolerance

J (+/-5%)

## Q Factor

1000 Min.

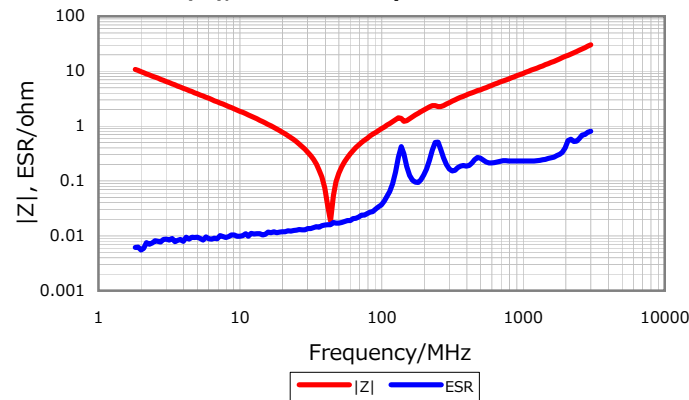
## Insulation Resistance

10Gohm Min.

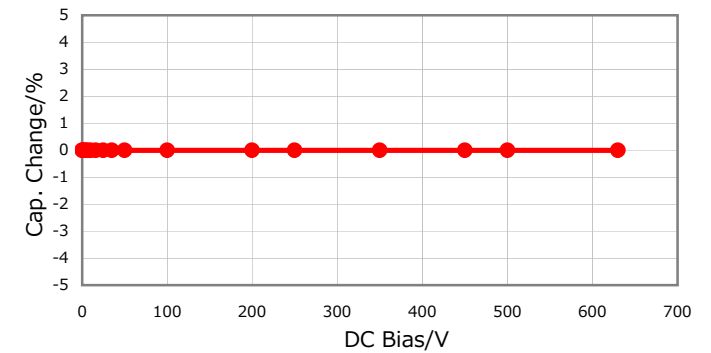
## AEC-Q200

Yes

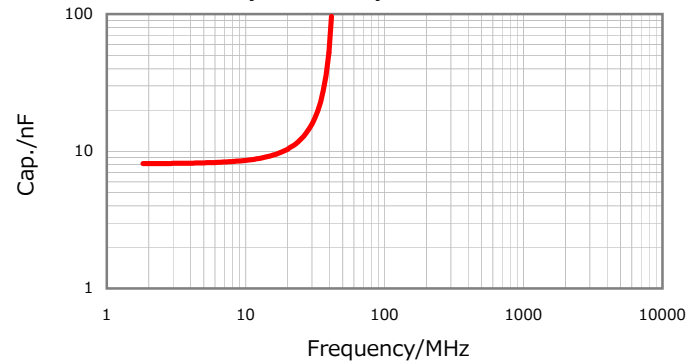
**|Z|, ESR vs. Freq. Characteristics**



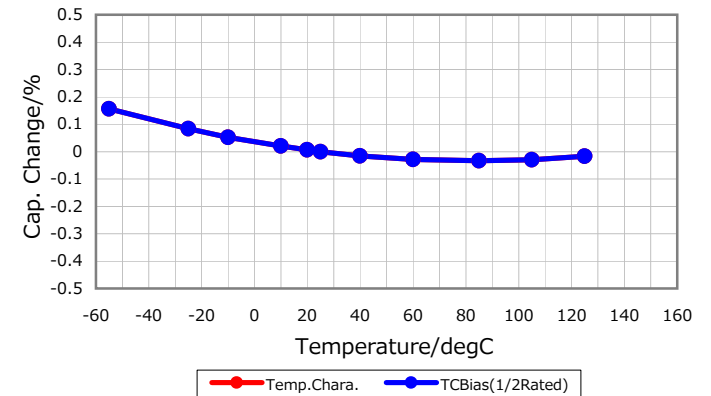
**DC Bias Characteristic**



**Cap. vs. Freq. Characteristic**



**Temperature Characteristics**



Characterization Sheet ( Multilayer Ceramic Chip Capacitors )



All specifications are subject to change without notice.

January 4, 2016