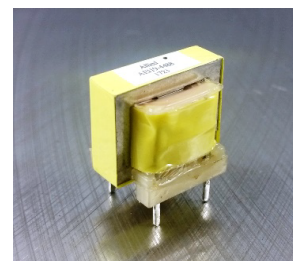




Impedance Transformer

AEI19-4488



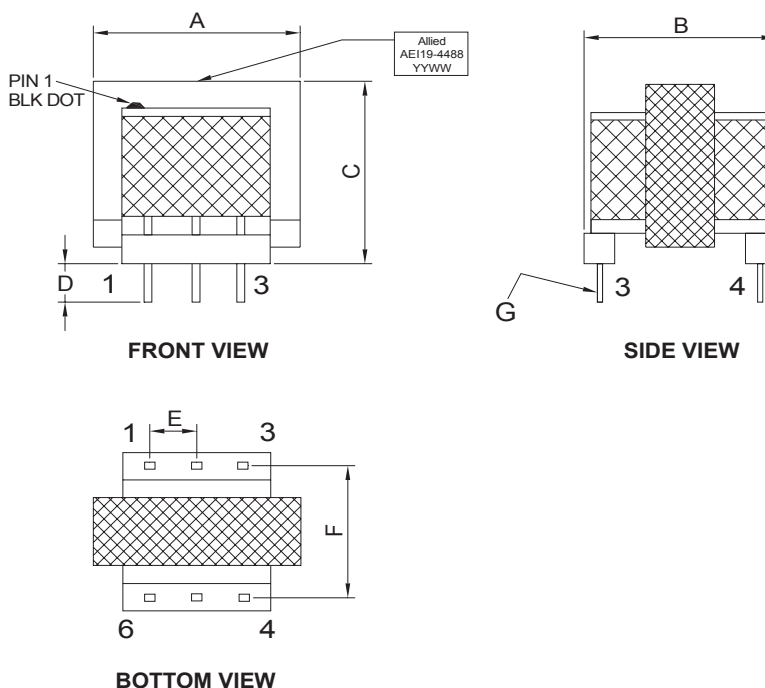
- EI19 Core Design
- 300 Hz to 3.5KHz Operating Frequency Range
- Operating Temperature Range: 0°C to 105°C

| Electrical Specifications @ 25°C | | | | | | | | |
|--|----------------|----------------|----------------|----------------------|------------------------------|-------------------------------------|---|------------------|
| Impedance @1KHz, 1V Primary (Sec@10KΩ) | DCR (Ω±15%) | | | Insertion Loss @1KHz | Return Loss @300Hz to 3.5KHz | Frequency Response @300Hz to 3.5KHz | Turns Ratio @15.75KHz, 1.0V (1-2) : (2-3) : (6-4) | Hi-Pot Pri - Sec |
| (1 - 3): 10KΩ ±15% | (1 - 2) 190 | (1 - 3) 380 | (6 - 4) 430 | 1.0dB Max | 24dB Min | ±0.5dB | 1:1:2 ±3% | 1200Vac/1S |

All specifications subject to change without notice.

MECHANICAL

Dimensions: (mm)



| A | B | C | D | E | F | G |
|-------|-------|-------|-------|-------|-------|-----------|
| 20.32 | 17.02 | 19.05 | 4.75 | 4.78 | 10.69 | 0.95*0.51 |
| MAX | MAX | MAX | ±0.50 | ±0.50 | ±0.50 | ±0.15 |

SCHEMATICS

