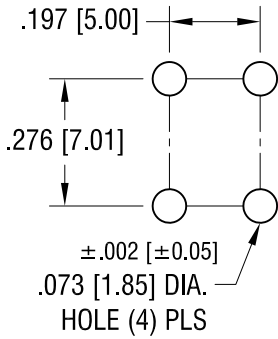
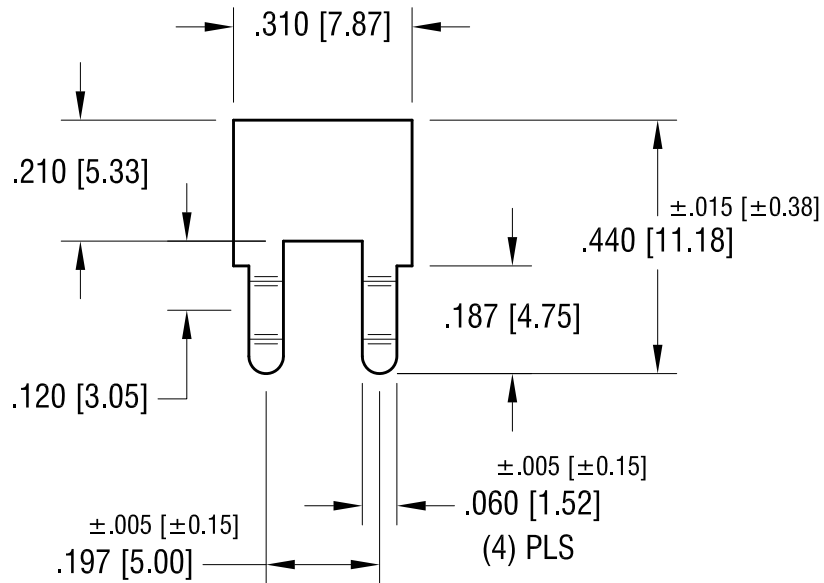
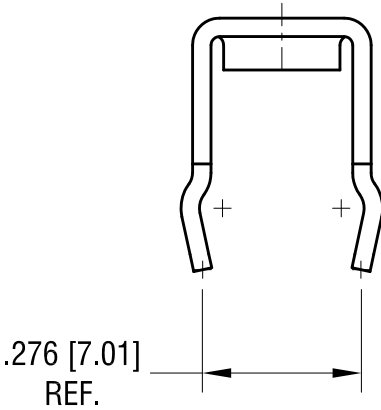
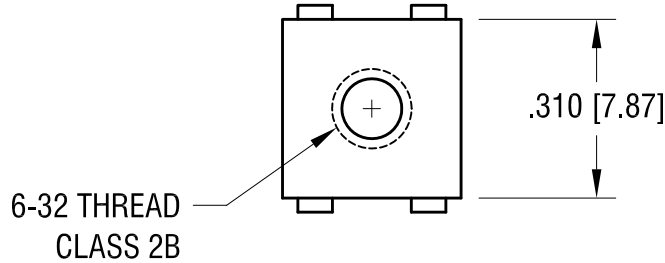
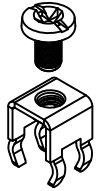


THIS DOCUMENT IS THE PROPERTY OF KEYSTONE ELECTRONICS CORP. AND SHALL NOT BE REPRODUCED, DISTRIBUTED OR USED AS A BASIS FOR MANUFACTURE WITHOUT PRIOR WRITTEN PERMISSION FROM KEYSTONE ELECTRONICS CORP.

MOUNTING DETAIL



ACTUAL SIZE



PC SCREW TERMINAL WITH COLORED SCREW HEAD

| PART NO. | HEAD COLOR | PART NO. | HEAD COLOR |
|----------|------------|----------|------------|
| 7691-2 | RED | 7691-5 | BLUE |
| 7691-3 | BLACK | 7691-6 | GREEN |
| 7691-4 | WHITE | 7691-7 | YELLOW |

NOTE:

1. TERMINAL:

MAT'L - .032 [0.81] TH'K BRASS, MATTE TIN PLATE
 SCREW : ONE (1) 6-32 x 1/4 L., SUPPLIED LOOSE.
 MAT'L - BRASS, NICKEL PLATE

| DATE | DESCRIPTION | REV. |
|---------|--------------------------|------|
| 7.13.09 | CHANGE AS PER ECN 09-099 | B |
| 1.03.08 | CHANGE AS PER ECN 08-021 | A |

KEYSTONE ELECTRONICS CORP.

www.keyelco.com • NEW HYDE PARK, NY 11040 • Tel (516) 328-7500

PART NAME
PC SCREW TERM. W/ COLORED SCREW HEAD

MATERIAL
AS NOTED

| | | | | |
|---------------------------|--------|-------|-------|----------|
| FINISH AS NOTED | DRN BY | BOONE | DATE | 10.01.03 |
| | APP'D | LN | SCALE | 3X |

| | | | | |
|----------------------------|--------|----------|------|------------------------|
| TOLERANCES | INCH | [MM] | CODE | DWG NO. |
| DECIMAL | ± .010 | [± 0.25] | C | 7691-2 - 7691-7 |
| ANGULAR | ± 1° | | | |
| UNLESS OTHERWISE SPECIFIED | | | | |