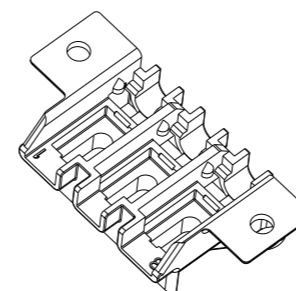
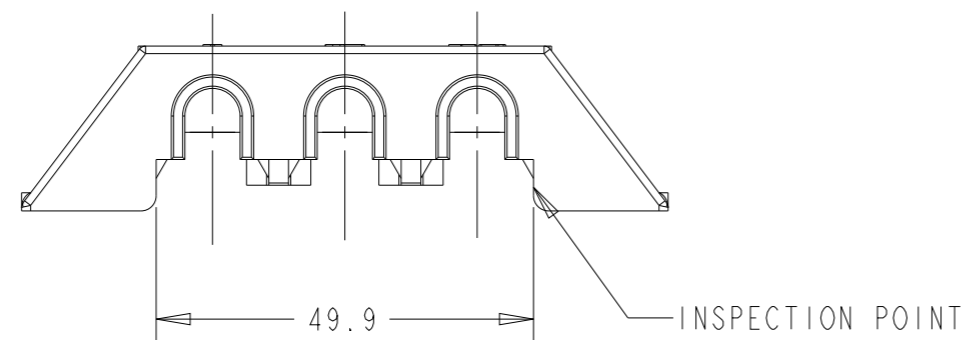
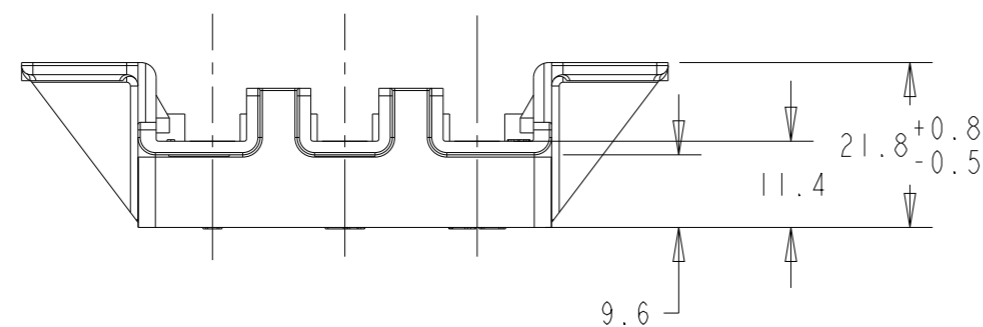
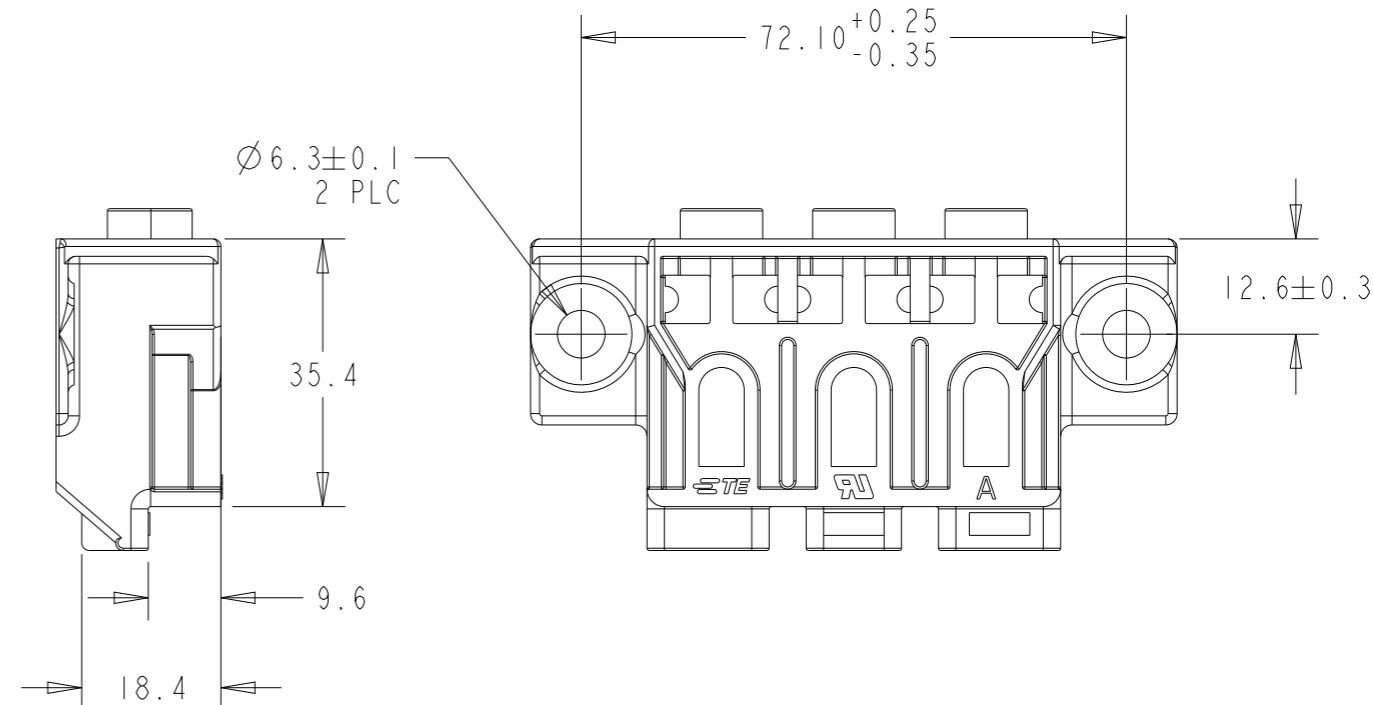
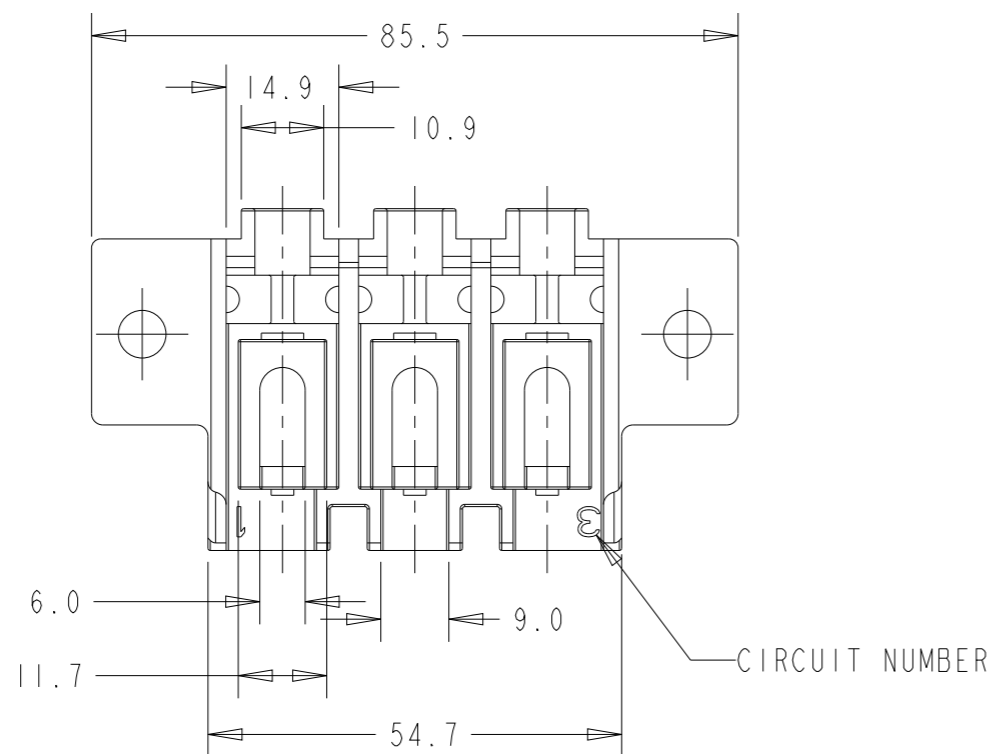


P	LTR	DESCRIPTION	DATE	DWN	APVD
	A	RELEASED PER ECN-21-102010	06APR2021	BKW	DS
	A1	REVISED PER ECR-21-119271	04NOV2021	AA	DS



SCALE 1:2

1. APPLICABLE CONTACT P/N: 521843-1
 2. QUALIFICATION TESTING IS PENDING.



COLOR	BLACK	2238272-1
P/N		

THIS DRAWING IS A CONTROLLED DOCUMENT.		DWN	R. SMITH	09APR2020	TE Connectivity NAME TERMINAL BLOCK FOR DRYER						
DIMENSIONS: mm		CHK	L. BREKOSKY	09APR2020							
TOLERANCES UNLESS OTHERWISE SPECIFIED:		APVD	L. BREKOSKY	09APR2020							
0 PLC ± 1 PLC ±0.5 2 PLC ± 3 PLC ± 4 PLC ± ANGLES ± FINISH -		PRODUCT SPEC	108-61063	APPLICATION SPEC				-			
MATERIAL THERMOPLASTIC UL-94-V0		WEIGHT	-	SIZE	A3	CAGE CODE	00779	DRAWING NO	C-2238272	RESTRICTED TO	-
CUSTOMER DRAWING				SCALE	1:1	SHEET	1	OF	1	REV	A1