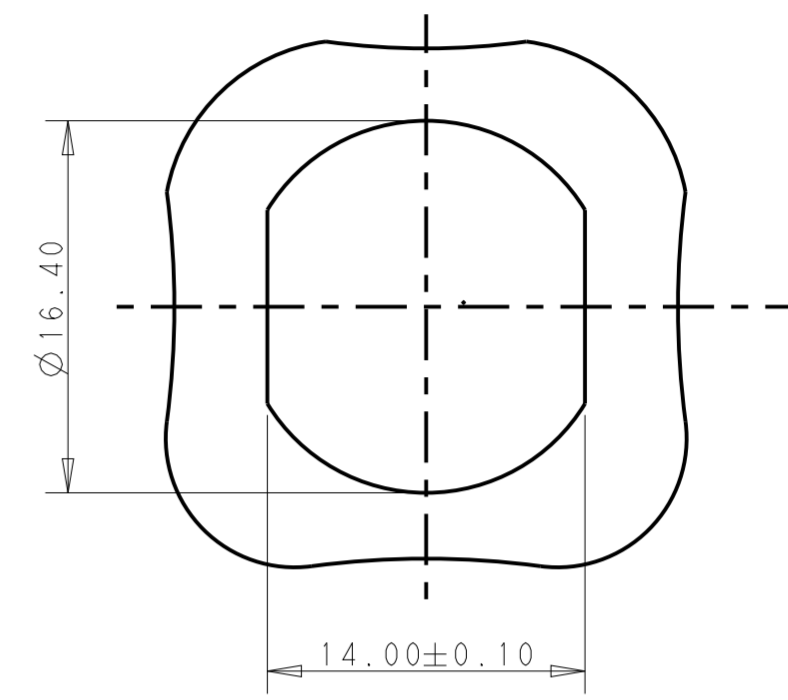
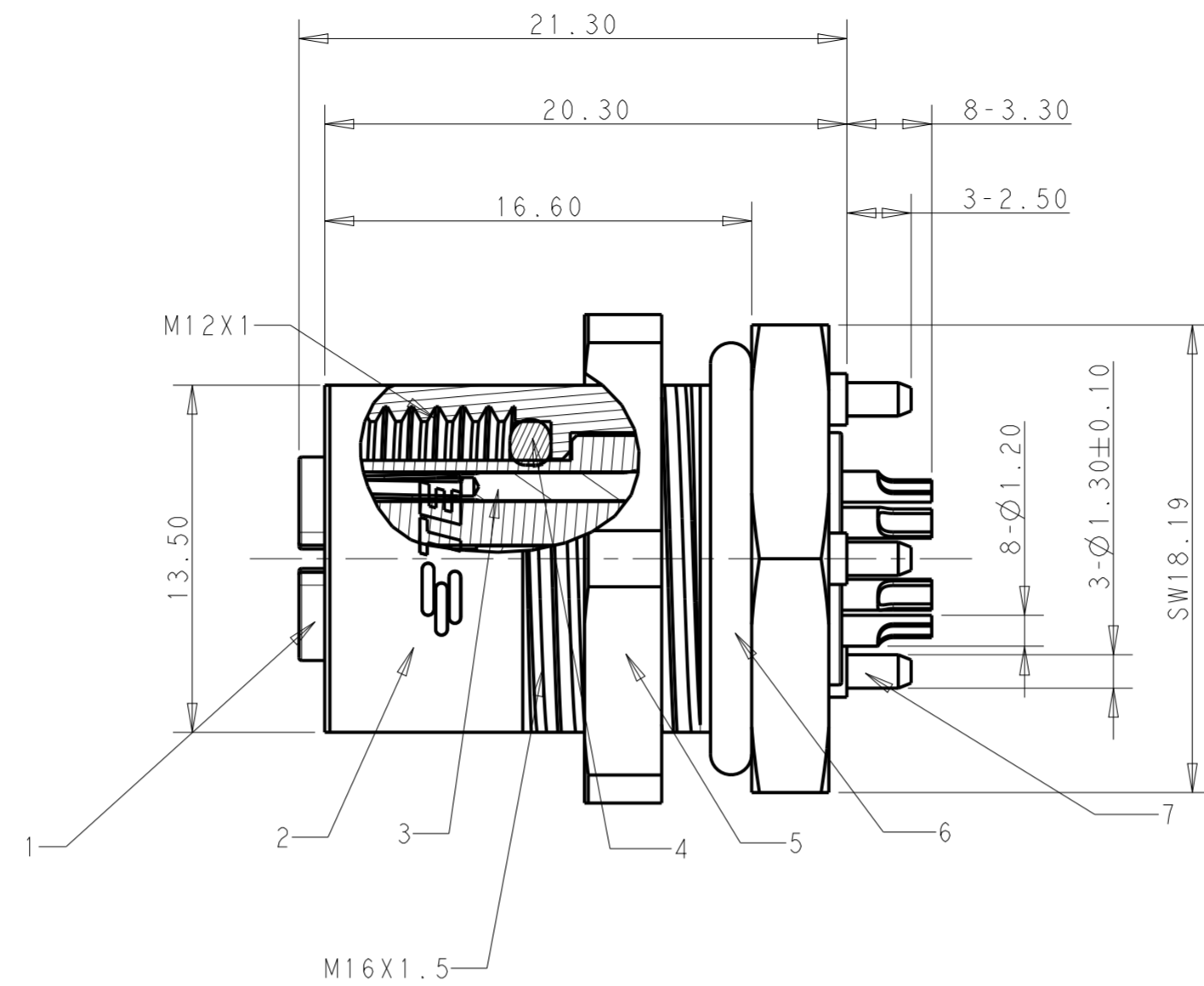
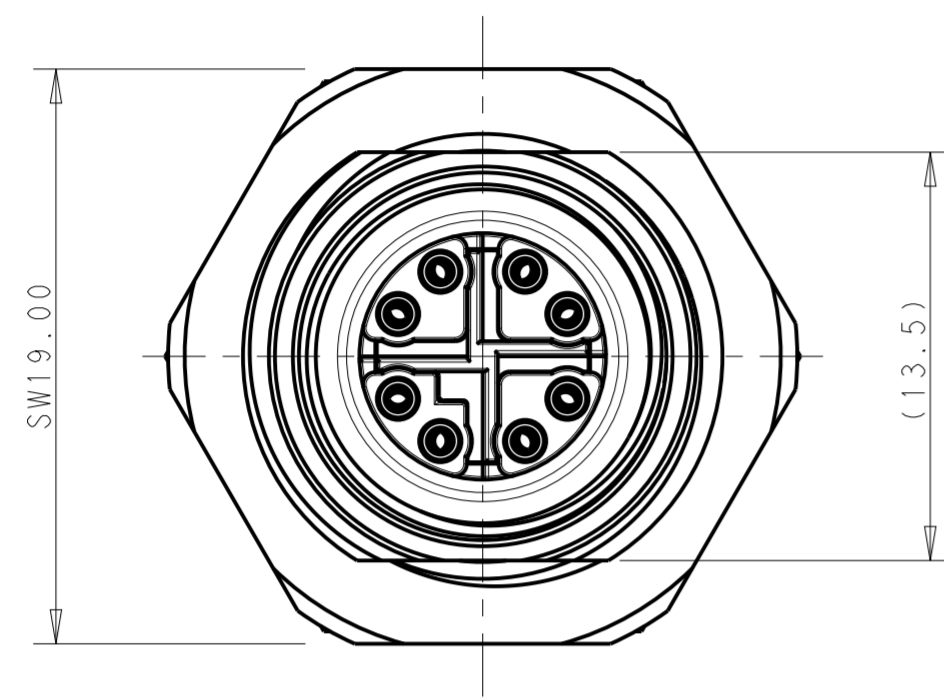


THIS DRAWING IS UNPUBLISHED. 2021 TE Connectivity. All Rights Reserved. RELEASED FOR PUBLICATION ALL RIGHTS RESERVED.

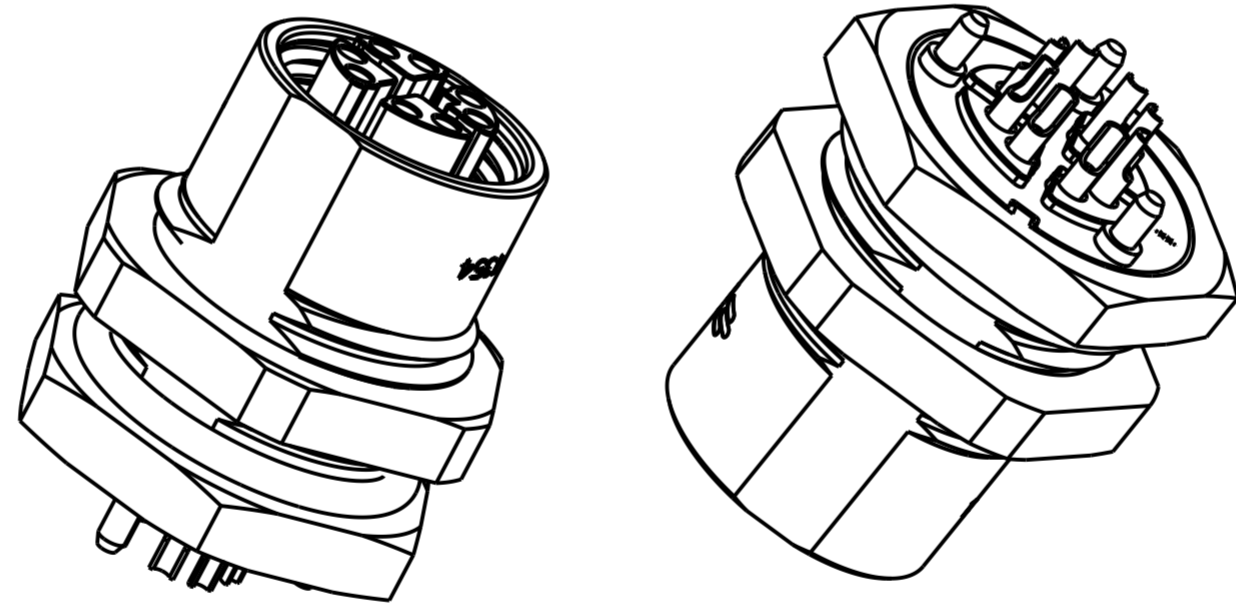
REVISIONS				
P	LTR	DESCRIPTION	DATE	APVD
	A	INITIAL RELEASE	09JUN2021	G.W C.W



RECOMMENDED PANEL HOLE SIZE
4.5mm MAX PANEL THICKNESS

SPCIFICATION:

1. M12 8P RECEPTACLE REAR MOUNT SHIELDED TYPE.
2. RATED VOLTAGE:48V, RATED CURRENT: 0.5A.
3. CONTACT RESISTANT: 5 mOhm MAX.
4. INSULATION WITHSTAND: 100 MOhm MIN.
5. PROTECTION: IP67.
6. TEMPERATURE RANGE: -25°~+85°.
7. TRANSMISSION CHARACTERISTICS: CAT6a.
8. PACKAGE: 40PCS/TRAY, 10TRAYS/BOX(TOTAL 400PCS).
9. SUITABLE WIRE RATING: 22~28AWG



规格:

1. M12 8针 板后屏蔽型母座.
2. 额定电压: 48V, 额定电流: 0.5A
3. 接触阻抗: 5 mOhm MAX.,
4. 绝缘阻抗: 100MOhm MIN.
5. 保护等级: IP67
6. 温度范围: -25°~+85°.
7. 传输特性: CAT6a
8. 包装规范: 40PCS/TRAY, 10TRAYS/箱(共400pcs产品)
9. 适用导线规格: 22~28AWG

ITEM	DESCRIPTION	MATERIAL	FINISH/COLOR
1	INSERT HOUSING	PA	BLACK
2	HEXAGONAL SHELL	ZINC ALUMINUM ALLOY	NICKEL OVER COPPER
3	SOCKET CONTACT	COPPER ALLOY	GOLD OVER NICKEL
4	SEALER RING	LSR	BLACK
5	HEXAGONAL NUT	COPPER ALLOY	NICKEL OVERALL
6	SEALER RING	LSR	BLACK
7	CROSSSHIELDED	ZINC ALUMINUM ALLOY	NICKEL OVER COPPER TIN OVER NICKEL

THIS DRAWING IS A CONTROLLED DOCUMENT.		DWN 09JUN2021 GAVIN WANG		M12X-FF-8CON-M16-LAU		2271195-1		1SET311218R0000	
DIMENSIONS: mm		TOLERANCES UNLESS OTHERWISE SPECIFIED:		DESCRIPTION		TE PN		ENTRELEC PN	
0 PLC ±		±0.3		108-137008		-		-	
1 PLC ±0.3		±0.20		114-137008		-		-	
2 PLC ±0.20		±		-		-		-	
3 PLC ±		±		-		-		-	
4 PLC ±		±		-		-		-	
MATERIAL		FINISH		WEIGHT		SCALE		SHEET	
-		-		-		4:1		1 OF 1	
-		-		-		CUSTOMER DRAWING		REV A	

ENTRELEC
Electrical Solutions

REAR PANEL MOUNT SOLDER CONNECTOR
M12 X-CODE

SIZE: A2 CAGE CODE: 00779 DRAWING NO: 1SET311218R0000 RESTRICTED TO: -