

1 2 3 4 5 6

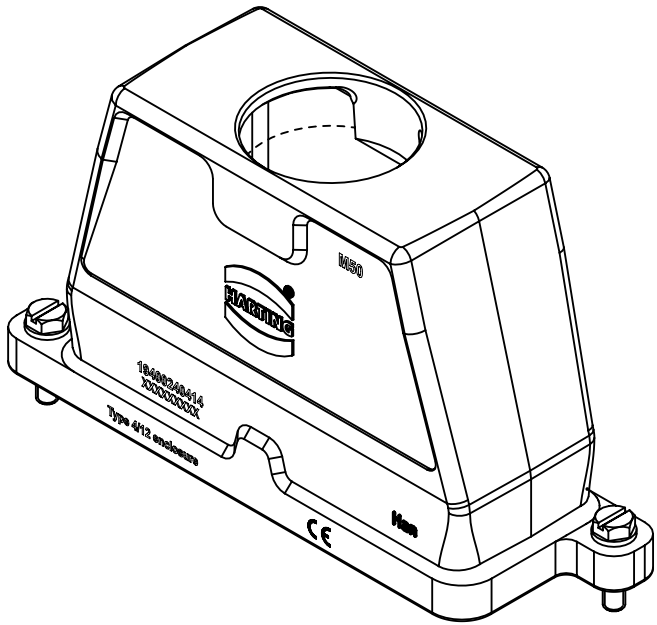
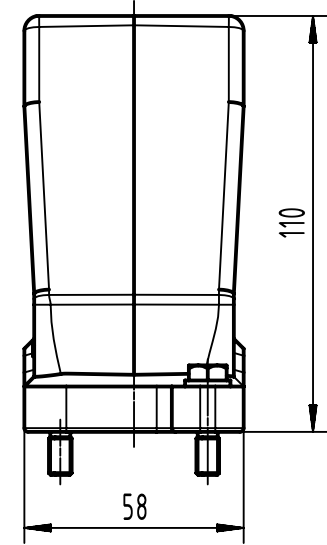
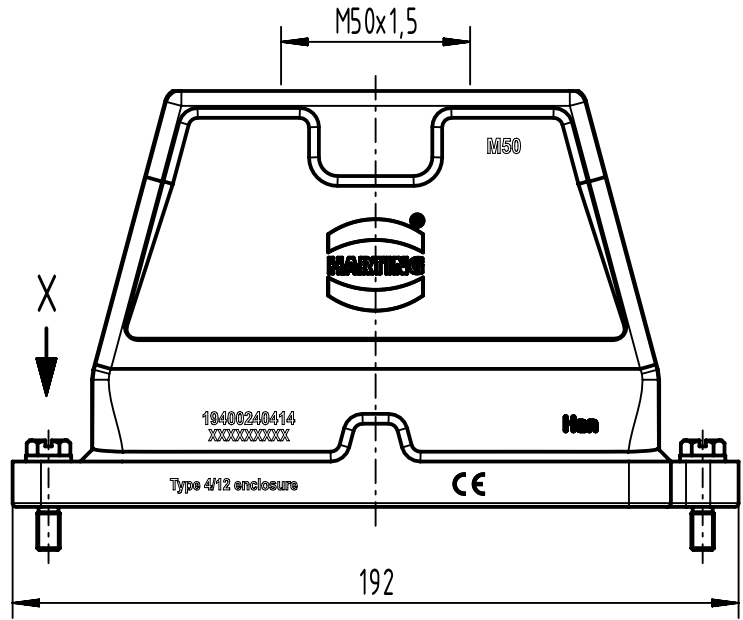
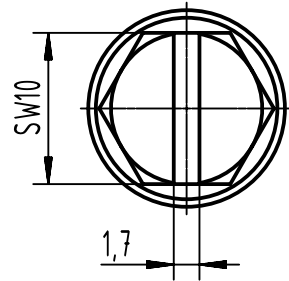
A

B

C

D

X (2:1)



|                              |  |  |  |                          |                           |                    |  |             |
|------------------------------|--|--|--|--------------------------|---------------------------|--------------------|--|-------------|
|                              | All Dimensions in mm<br>Original Size DIN A4 |  | Scale<br>1:2                                     | Free size tol.           |                           | Ref.               |  |             |
|                              | All rights reserved<br>Department EL PD      |  | Created by<br>SPRENB                             | Inspected by<br>GERB     | Standardisation<br>302077 | Date<br>2021-05-18 | State<br>Final Release                                   |             |
| HARTING<br>D-32339 Espelkamp |  |  | Title<br>Han 24HPR Hood Top Entry M50 Screw Lock |                          |                           |                    | Doc-Key / ECM-Nr.<br>100201950/UGD/004/C<br>500000190688 |             |
|                              |  |  | Type<br>TB                                       | Number<br>19 40 024 0414 |                           |                    | Rev.<br>C  | Page<br>1/1 |