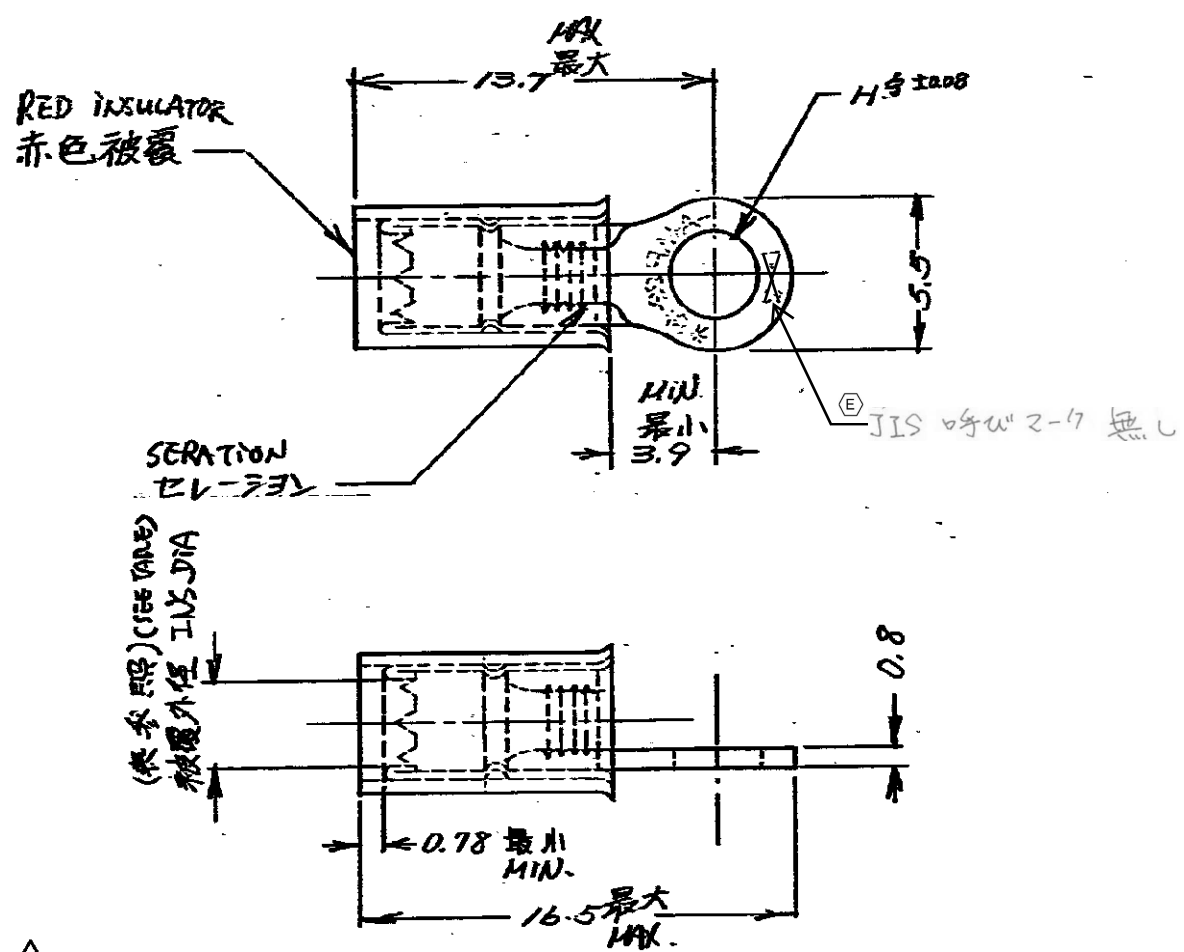


赤色被覆
 C-171505



△ OBSOLETE PARTS: OBSOLETE CIS STREAMLINING PER D.RENAUD/D.SINISI

(P/N) 型番	(STUD) 径	(H DIM) H寸法	(INS. DIA) 被覆外径	
171505-1	#4	3.02	2.03~3.18	
-2	#6	3.68	2.03~3.18	
-3	#4	3.02	2.67~3.56	
-4	#6	3.68	2.67~3.56	
(E) -5	#1	2.03	2.03~3.18	OBSOLETE
(E) -6	"	3.25	2.03~3.18	OBSOLETE
171505-7	#2	2.36	2.03~3.18	OBSOLETE △

単位: 1/16 寸
 DIMENSIONS IN MM. DO NOT SCALE PRINT.

E	Change Applicable Body	Y.O	N.Y	23JAN17
D2	REV PER ECO-10-000444	KK	AEG	08JAN10
D1	OBSOLETE (REV-B)	K.N	Y.T	1/2/10
D	REVISED (REV-B)	K.Y	S.Y	1/2/10
C	REVISED (REV-B)	S.O	Y.H	1/2/10
B	ADDED MARK	H.S	M.J	1/2/15
A	REVISED (REV-A)	H.S	M.J	1/2/15
LTR	交更 REVISION RECORD	DR	CHK	DATE

(CISBY AMP) ALL RIGHTS RESERVED AMP PRODUCTS COVERED BY PATENTS AND/OR PATENTS PENDING.

参考図面 (CUSTOMER COPY) REFERENCE ONLY.

材料: 電鍍銅
 表面処理: 錫めっき
 WIRE RANGE: 0.26~1.04 AWG 22-18
 (SEE INSULATION DIA.)
 参考照: 7711301777 7711301777

公差 (TOLERANCE) EXCEPT AS NOTED: ±0.4, ±0.2, ±0.1

尺規 (SCALE): 4-1 J A C-171505

型名 (NAME): 丸型端子 RING TERMINAL