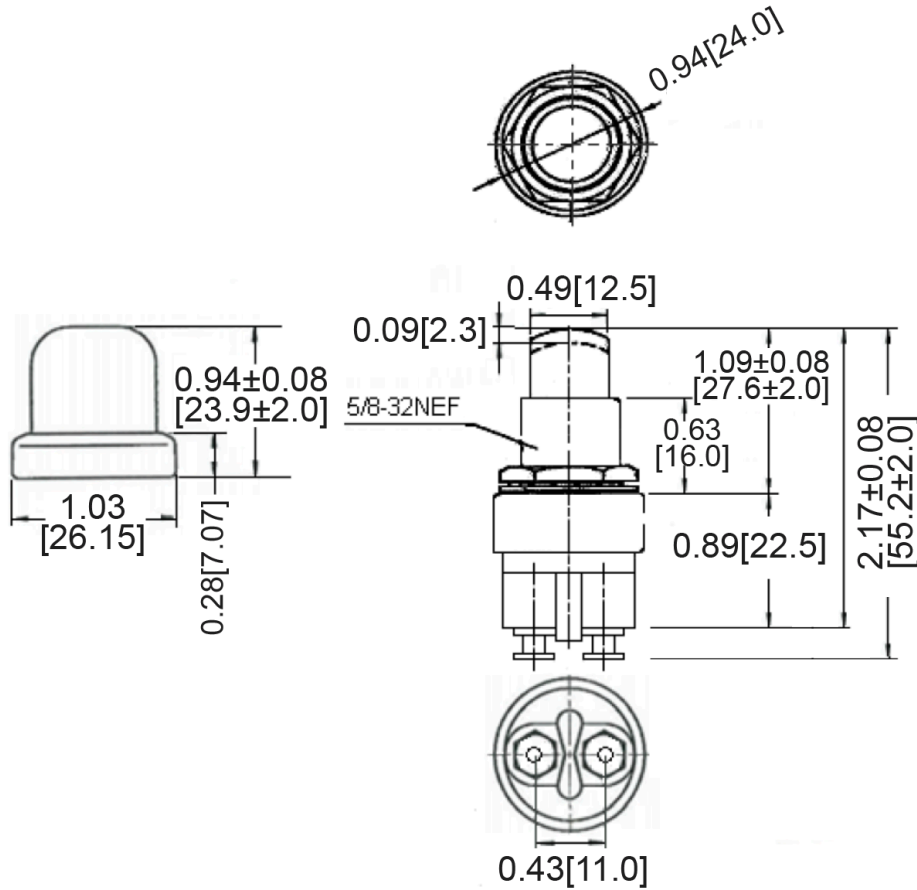
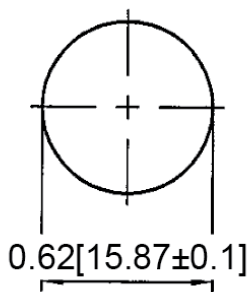


Mechanical Dimensions: Inches [mm]

Tolerances ± 0.012 [0.3] Unless Otherwise Specified



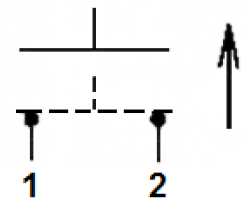
Mounting Hole



Thickness: 0.16 [4.0] max

Circuit Diagram

2P SPST OFF-(ON)



Electrical Specifications

Rating	60A 12V DC
Contact Resistance	50m ohm Max
Insulation Resistance	DC 500V 100M ohm Min
Dielectric Strength	AC 1500V 1
Operation Temperature	-20°C ~ 85°C

Material Specifications

Cover	Rubber boot seal (Black EPDM material)
Frame	Heavy duty die cast construction
Terminals	Copper alloy (Brass)

Rev Date of issue Revision Notes

Designed Approved

B	04-15-2020	Initial Drawing	RC	OF
---	------------	-----------------	----	----